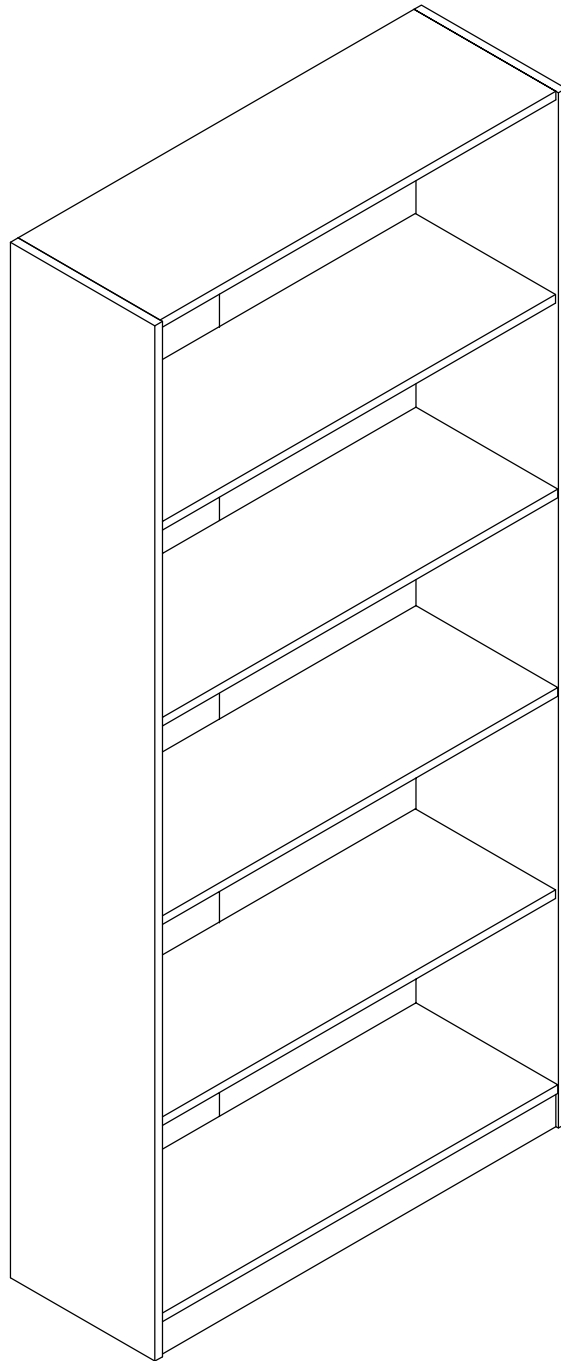


# ASSEMBLY INSTRUCTION

---

ITEM: 192506 192617 202668



# ASSEMBLY INSTRUCTION

---

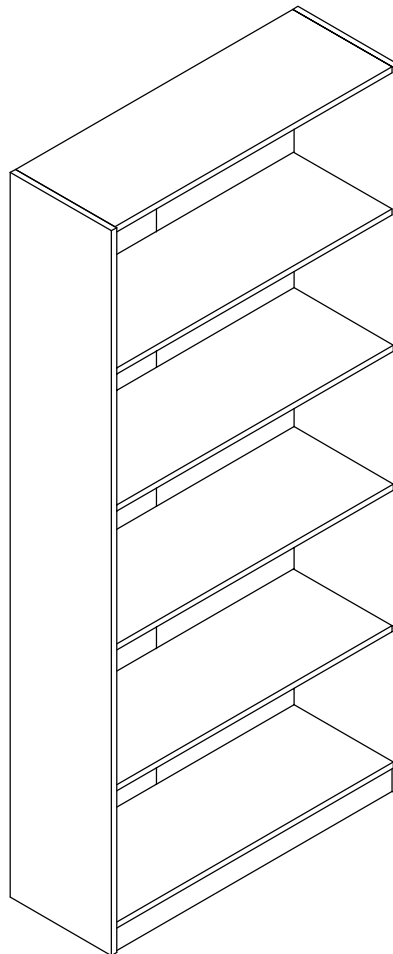
## PLEASE READ BEFORE ASSEMBLING!

Tip #1: Make sure you've taken all the pieces and hardware out of its packaging before discarding the box.

Tip #2: Using page 2 and/or page 3 of instruction manual make sure all pieces and hardware are accounted for.

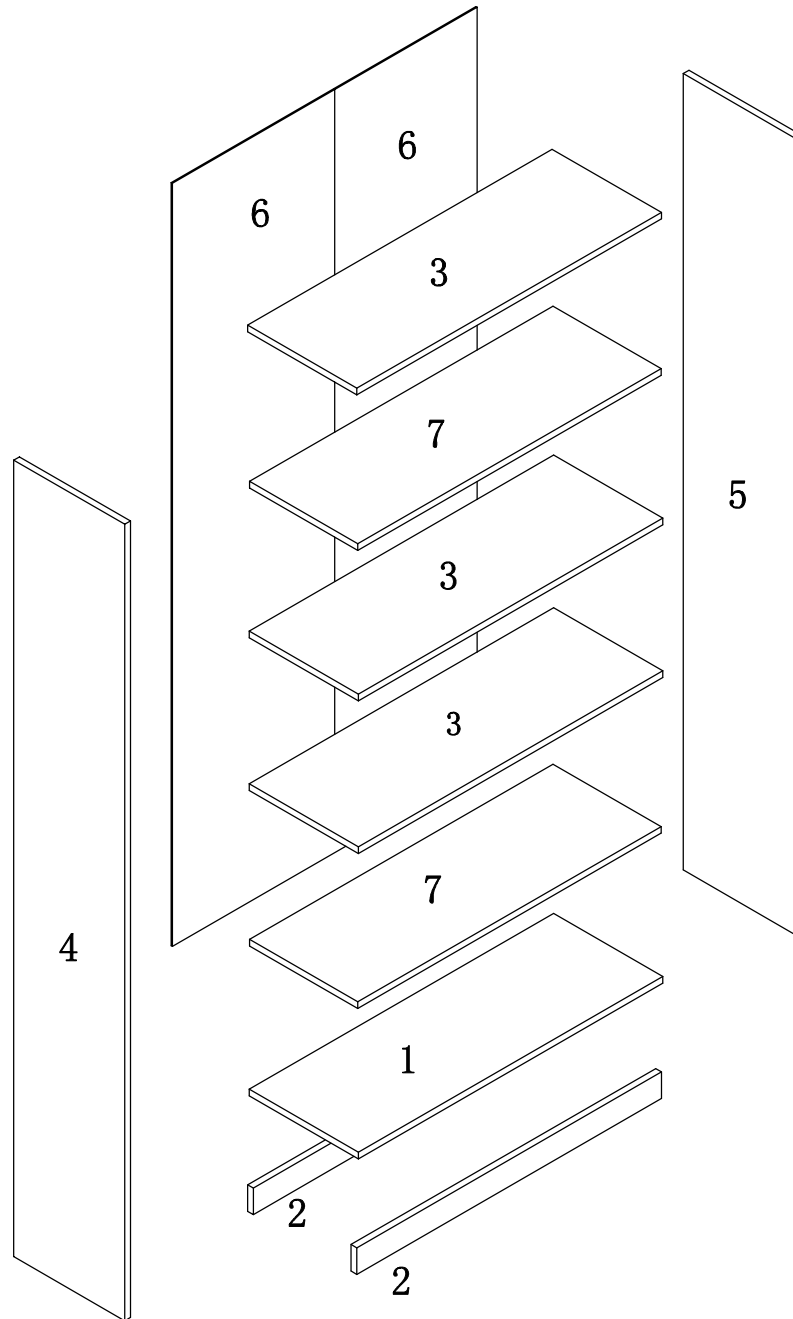
Tip #3: Read manual before assembling, it helps!

ITEM: 192506 192617 202668



# PARTS IDENTIFICATION

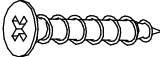

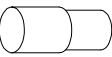


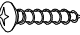
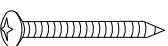
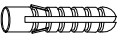

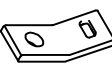
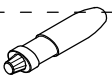
ITEM: 192506 192617 202668



(1)	1pc	(5)	1pc
(2)	2pcs	(6)	2pcs
(3)	3pcs	(7)	2pcs
(4)	1pc		

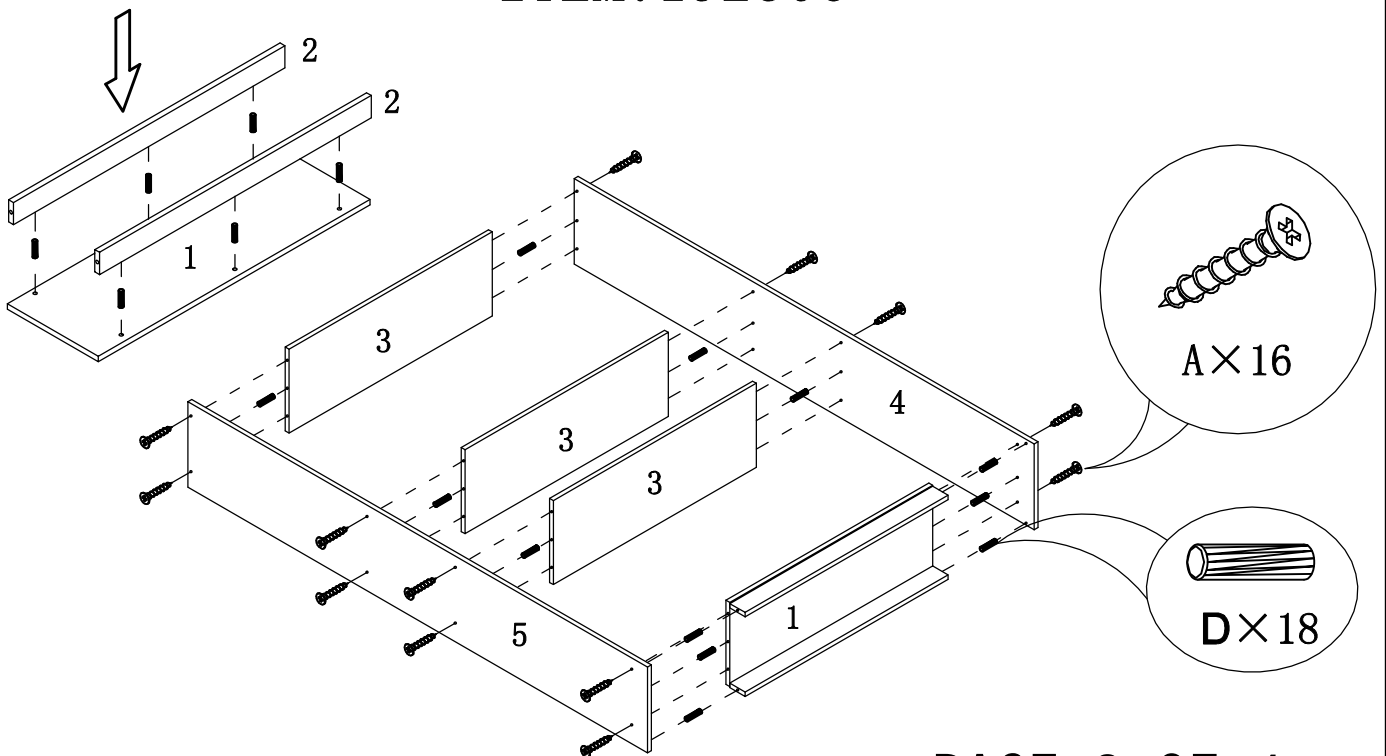
# HARDWARE IDENTIFICATION

ITEM: 192506 192617 202668

A		$\phi 4 \times 35$	16pcs
B			50pcs
C		$\phi 5$	8pcs
D		$\phi 8 \times 25$	18pcs
E		$197 \times 5 \times 1$	1pc
F		$\phi 4 \times 25$	1pc
G		$\phi 5 \times 40$	1pc
H			1pc
I		$\phi 16$	8pcs
J		$12 \times 12 \times 1$	2pcs
K		Glue: For securing please apply to wood dowel first before inserting into panel	1pc

## ASSEMBLY INSTRUCTION

ITEM: 192506

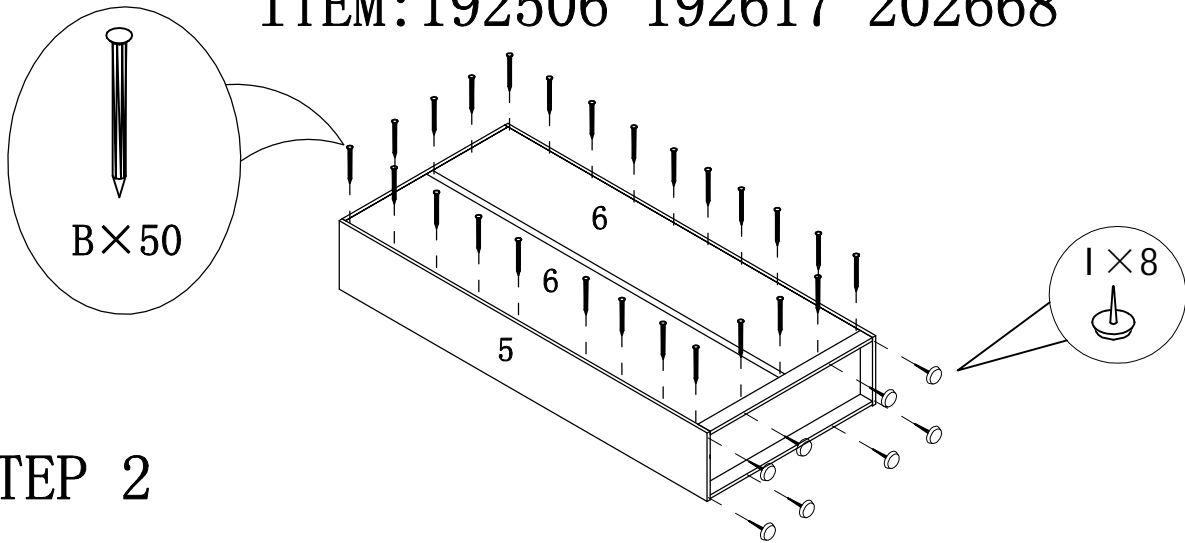


STEP 1

PAGE: 3 OF 4

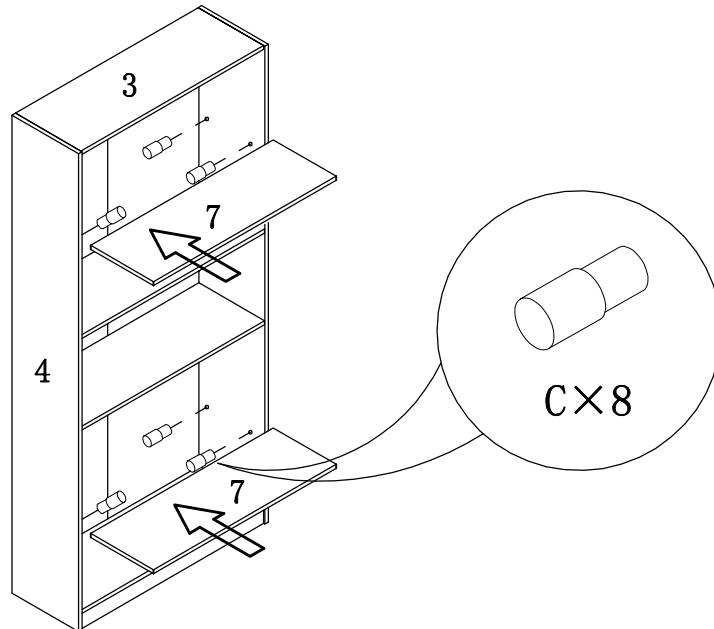
# ASSEMBLY INSTRUCTION

ITEM:192506 192617 202668

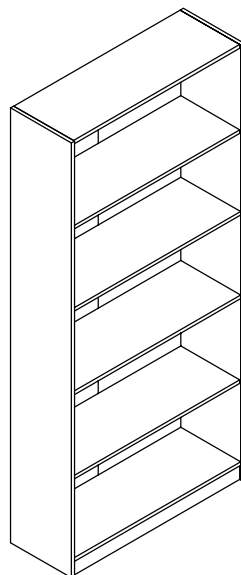


STEP 2

STEP 3



STEP 4



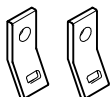
# ANTI-TIPPING STRAP INSTRUCTION

## HARDWARE (INCLUDED) :

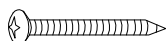
## TOOLS NEEDED ( NOT INCLUDED) :



DRYWALL ANCHOR  $\phi 8 \times 40$  X 1PC



METAL BRACKETS  $12 \times 12 \times 1$  X 2PCS



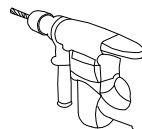
DRYWALL SCREW  $\phi 5 \times 40$  X 1PC



STRAP  $197 \times 5 \times 1$  X 1PC



FLATHEAD SCREW  $\phi 4 \times 25$  X 1PC



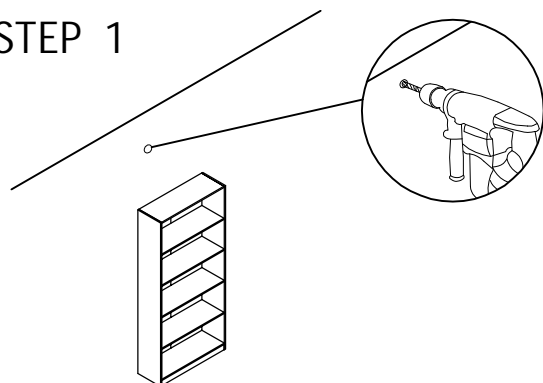
DRILL & DRILL BIT



LIGHT HAMMER

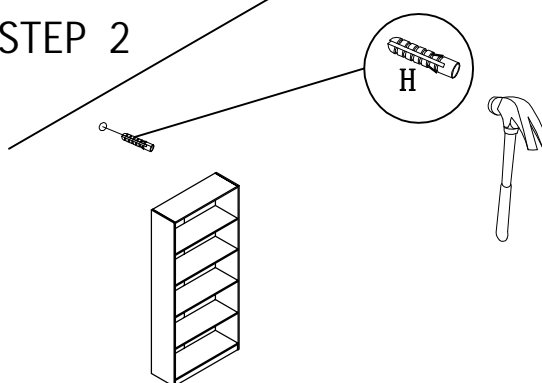
Note: Hardware included only compatible with standard drywalls.

### STEP 1



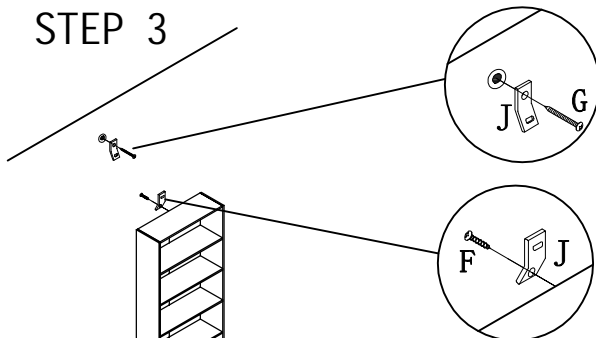
1. Find spot on wall 1" below top of item.
2. Using a drill bit slightly thinner than anchor, drill hole into drywall.

### STEP 2



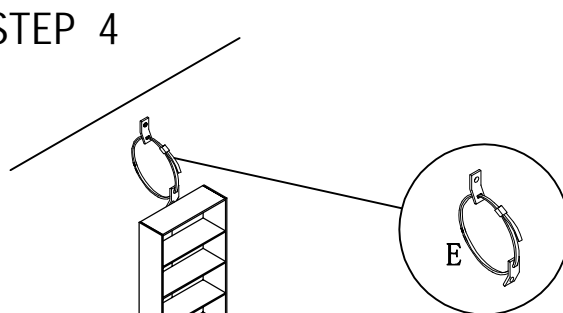
1. Use a light hammer to tap anchor into hole.
2. Anchor should fit snugly. If hole is too small, drill again to increase hole size. Do not force anchor into wall.

### STEP 3



1. Insert drywall screw into metal bracket and into drywall anchor.
2. Insert flathead screw into second metal bracket and into back of item along top edge.

### STEP 4



1. Insert strap thru bracket attached to wall, then thru bracket on item, and into head of strap.
  2. pull lightly til strap stops.
- Assembly is complete.