

ASSEMBLY INSTRUCTION

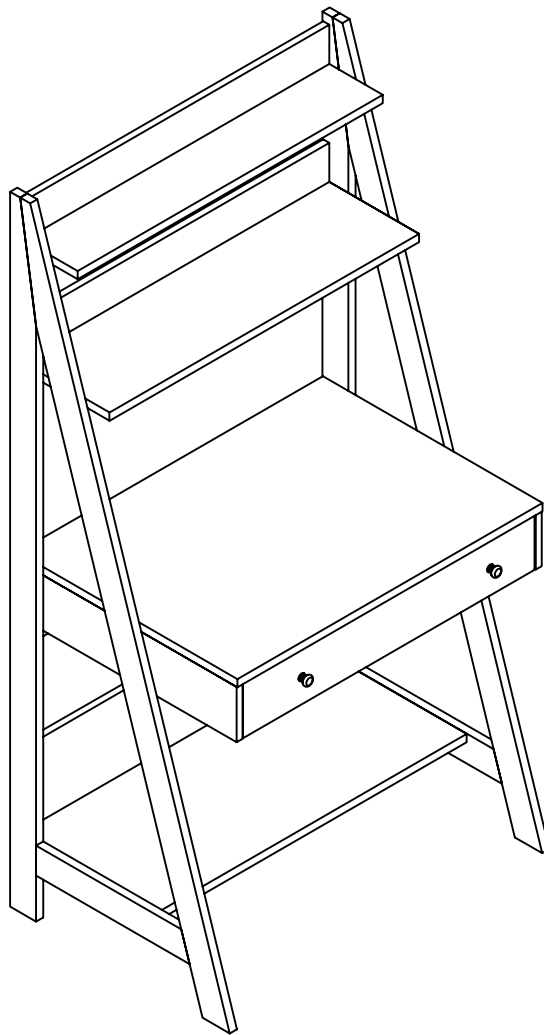
PLEASE READ BEFORE ASSEMBLING!

Tip #1: Make sure you've taken all the pieces and hardware out of its packaging before discarding the box.

Tip #2: Using page 2 and/or page 3 of instruction manual make sure all pieces and hardware are accounted for.

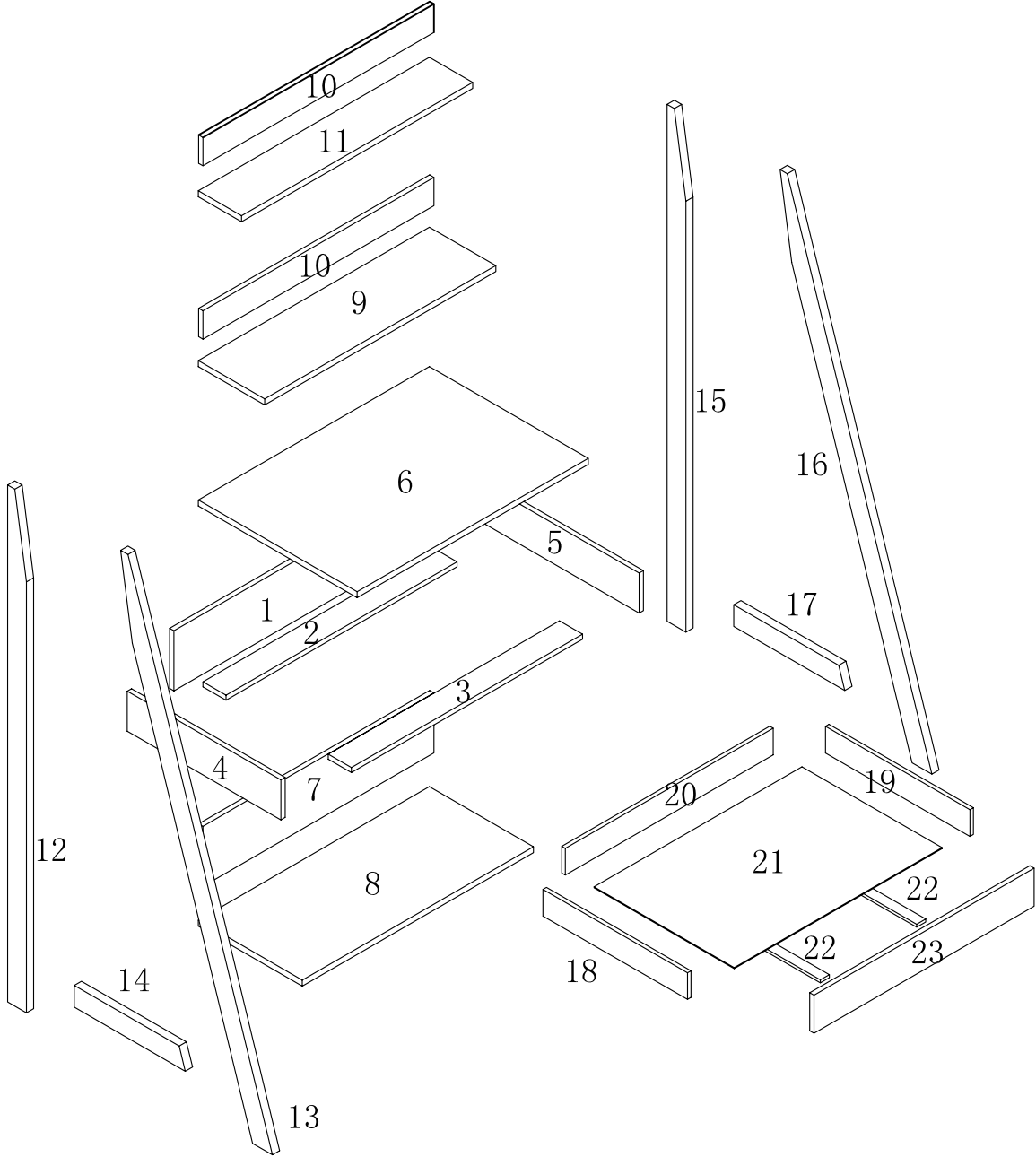
Tip #3: Read manual before assembling, it helps!

ITEM#: 12573



PARTS IDENTIFICATION



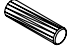



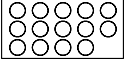
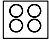
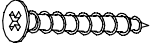
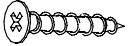







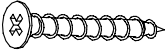


ITEM#: 12573



(1)	1pc	(8)	1pc	(15)	1pc	(22)	2pcs
(2)	1pc	(9)	1pc	(16)	1pc	(23)	1pc
(3)	1pc	(10)	2pcs	(17)	1pc		
(4)	1pc	(11)	1pc	(18)	1pc		
(5)	1pc	(12)	1pc	(19)	1pc		
(6)	1pc	(13)	1pc	(20)	1pc		
(7)	1pc	(14)	1pc	(21)	1pc		

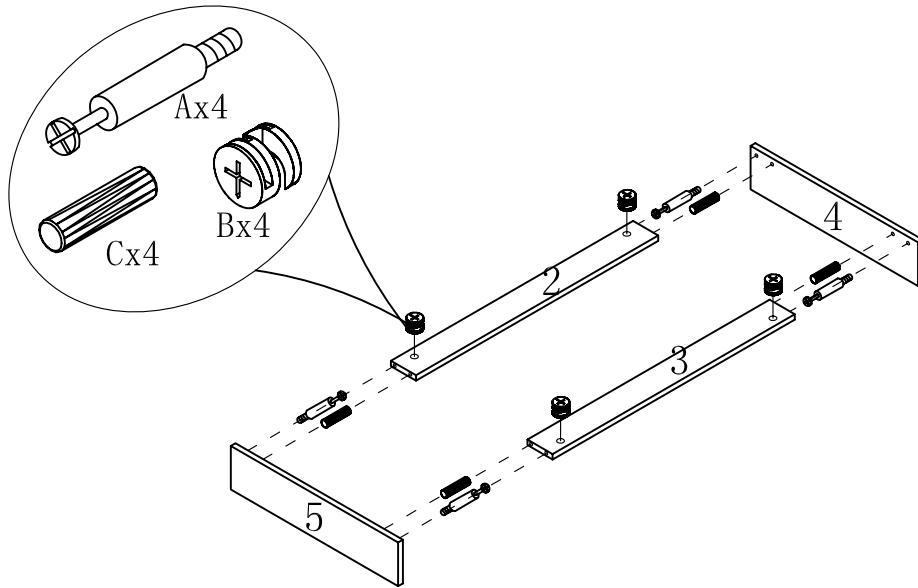
HARDWARE IDENTIFICATION

ITEM#: 12573

A		L=29	30pcs
B		∅15	30pcs
C		∅8x25	37pcs
D		∅6x85	2pcs
E		∅10x15	6pcs
F		M4	1pc
G		∅18	14pcs
H		∅13	4pcs
I		∅4 x 30	4pcs
J		∅4 x 25	4pcs
K		L20	4pcs
L		∅12	4pcs
M		∅6x30	4pcs
N		∅6x65	4pcs
O		∅30	2pcs
P		∅4x22	2sets
Q		M6x25	8pcs
R		∅4x35	8pcs
S		∅16	4pcs
T		Glue: For securing please apply to wood dowel first before inserting into panel	1pc

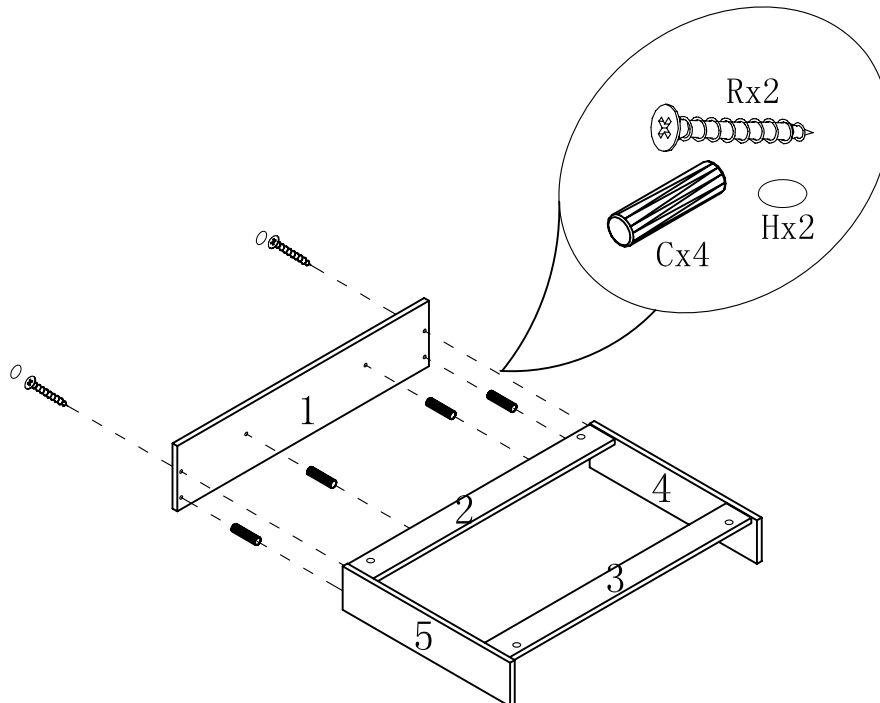
ASSEMBLY INSTRUCTION

ITEM#: 12573



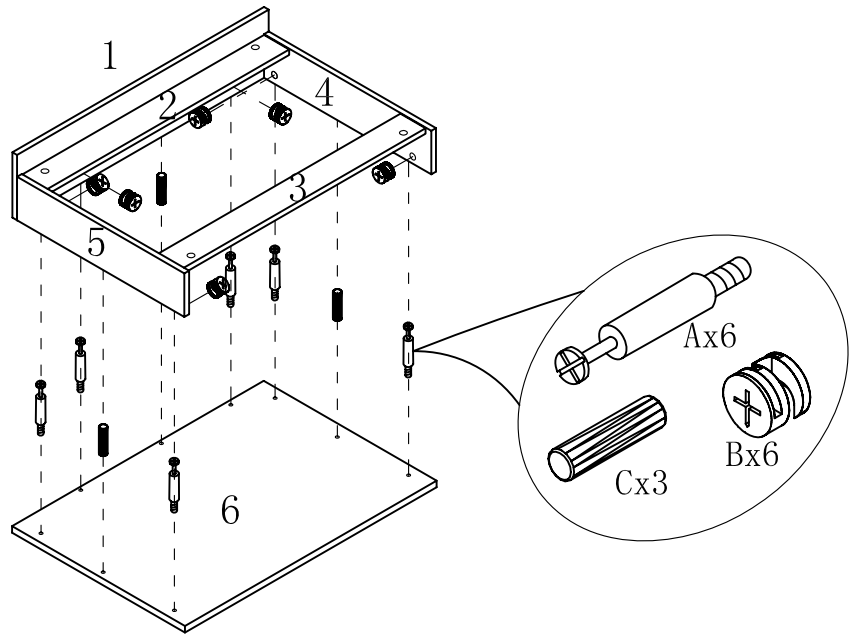
STEP 1

STEP 2



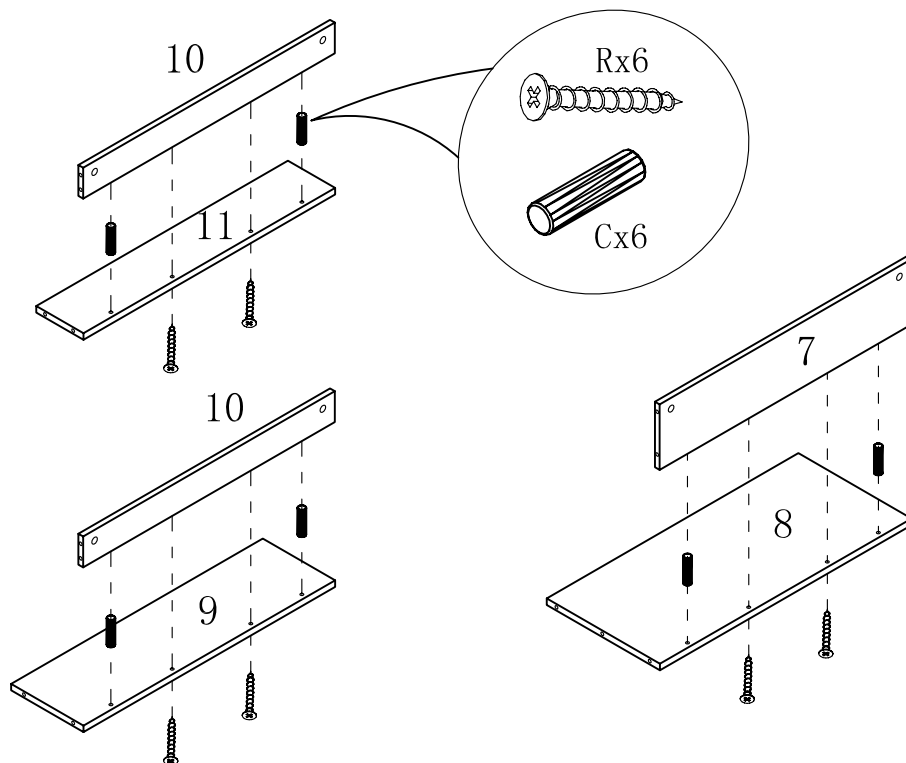
ASSEMBLY INSTRUCTION

ITEM#: 12573



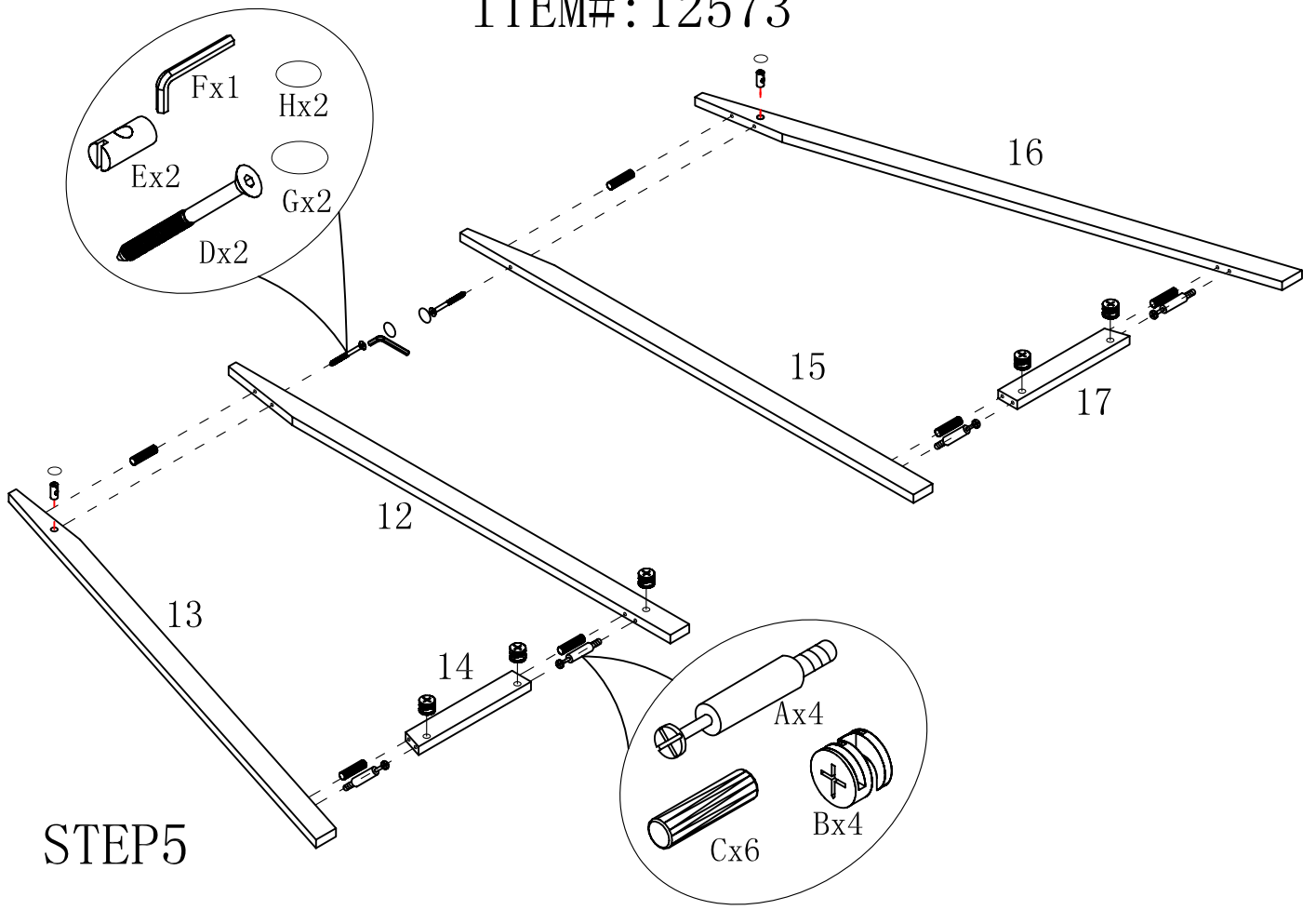
STEP 3

STEP 4

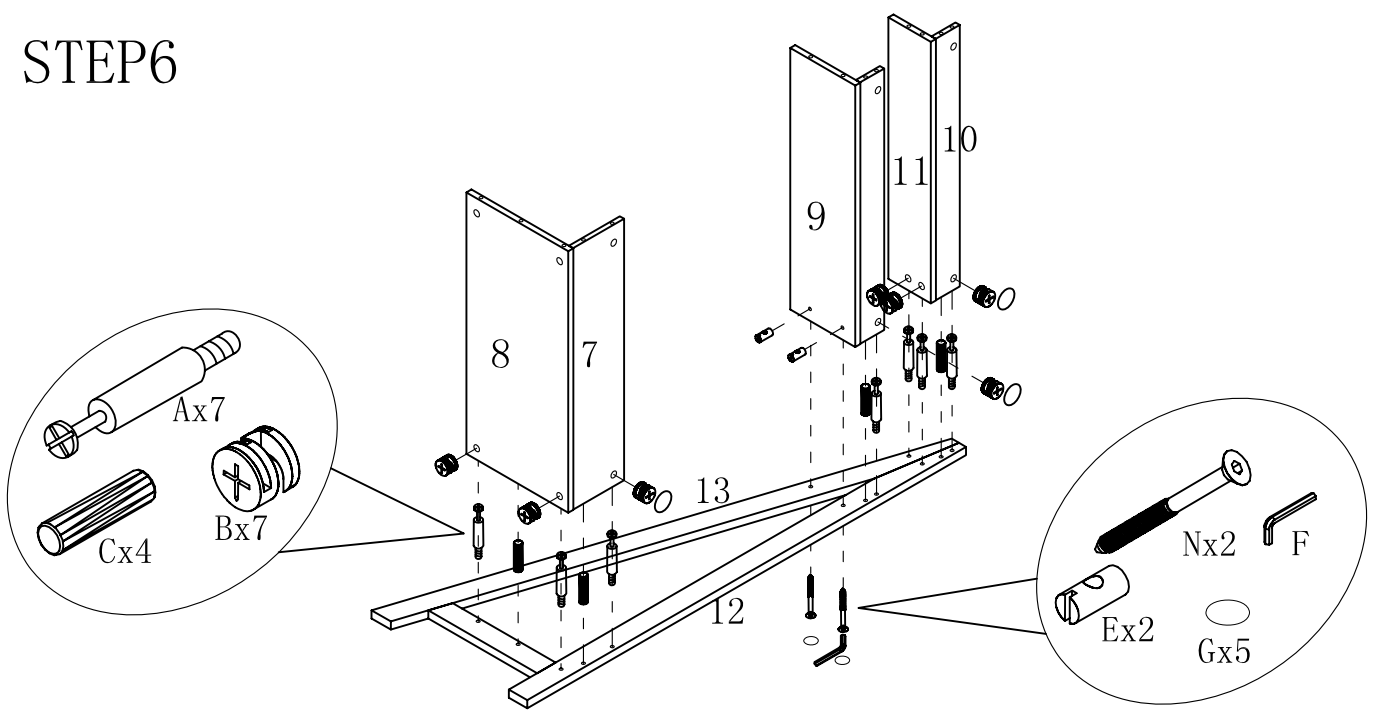


ASSEMBLY INSTRUCTION

ITEM#: 12573

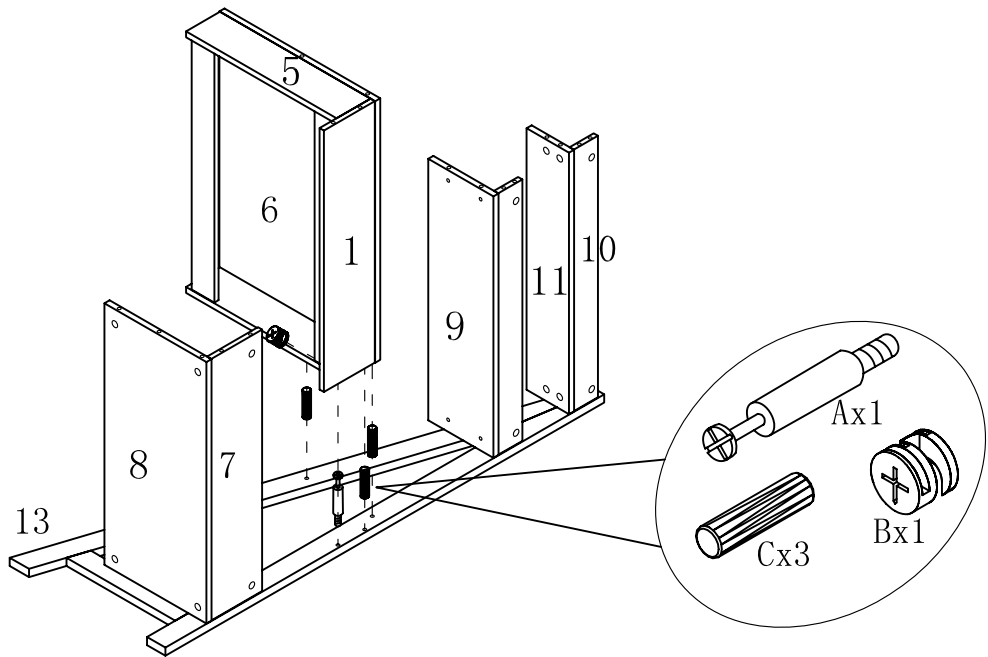


STEP 6



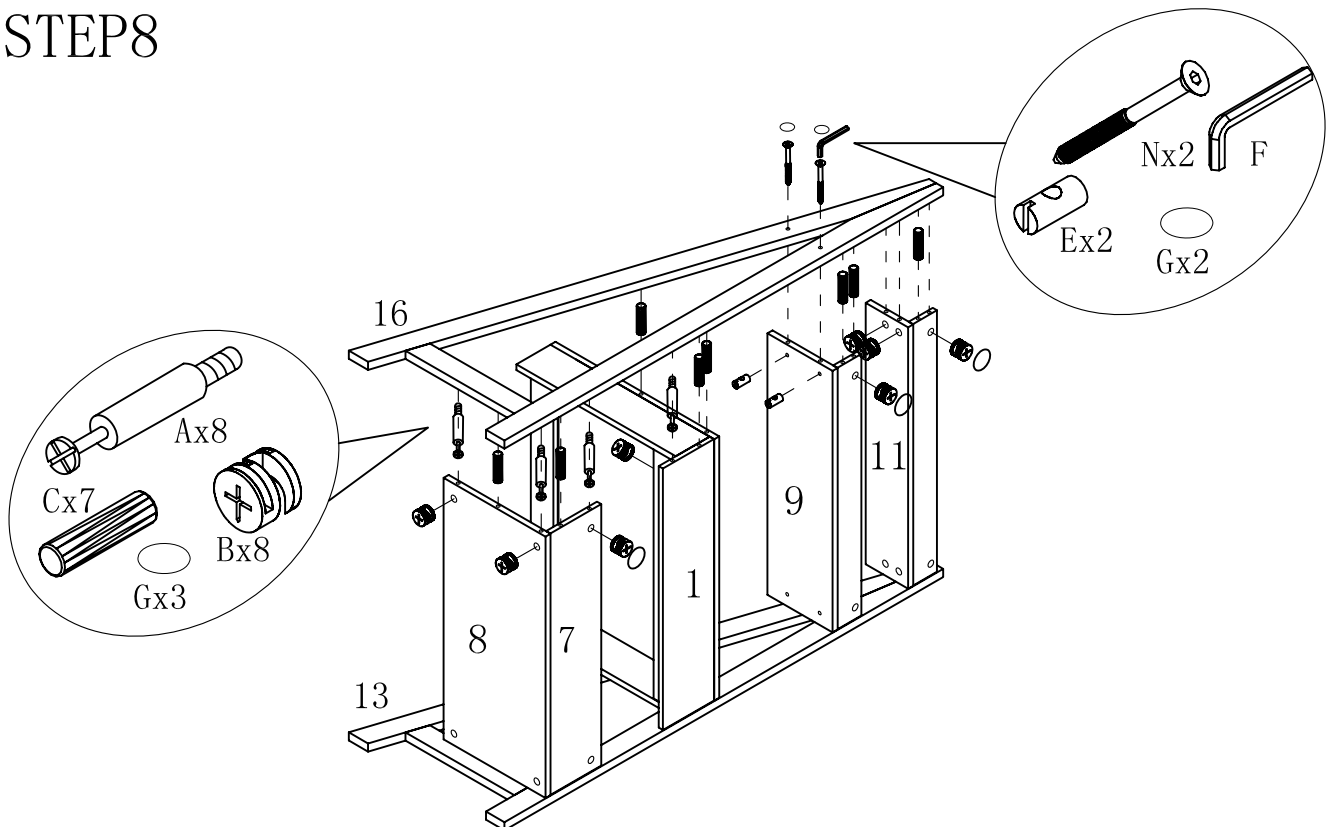
ASSEMBLY INSTRUCTION

ITEM#: 12573



STEP 7

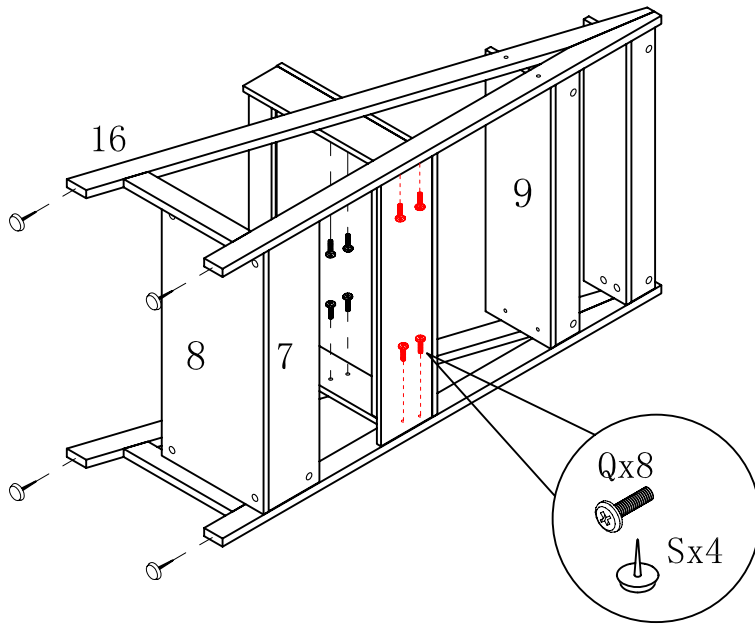
STEP 8



PAGE: 7 OF 9

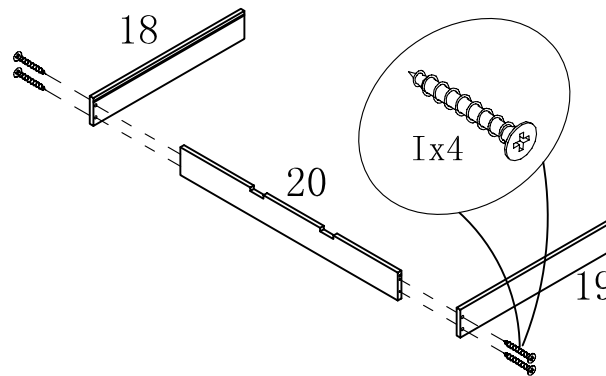
ASSEMBLY INSTRUCTION

ITEM#: 12573

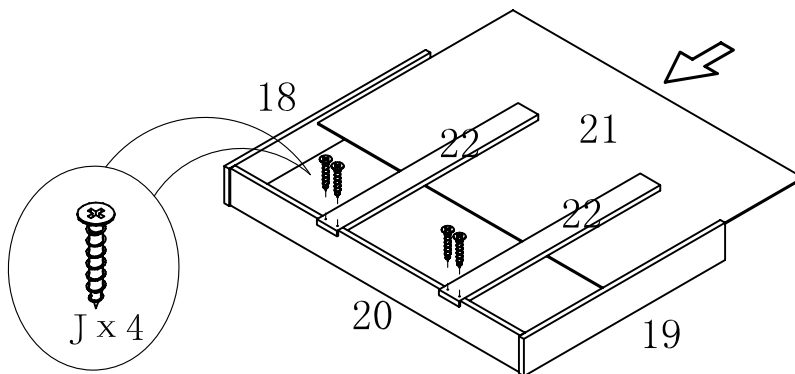


STEP9

STEP10

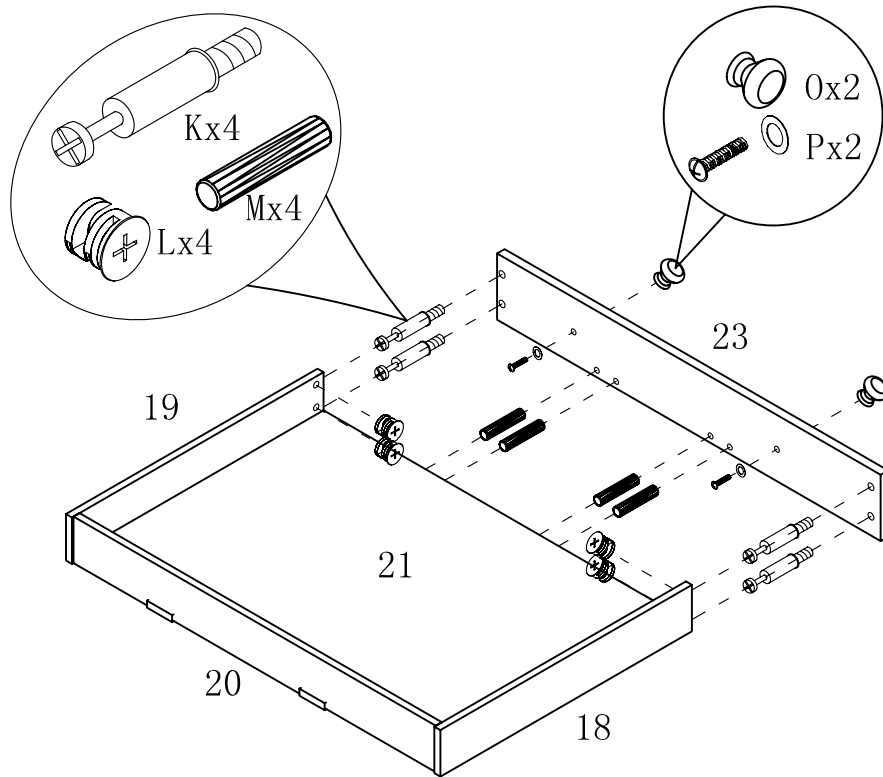


STEP11



ASSEMBLY INSTRUCTION

ITEM#: 12573



STEP12

STEP13

