

ASSEMBLY INSTRUCTION

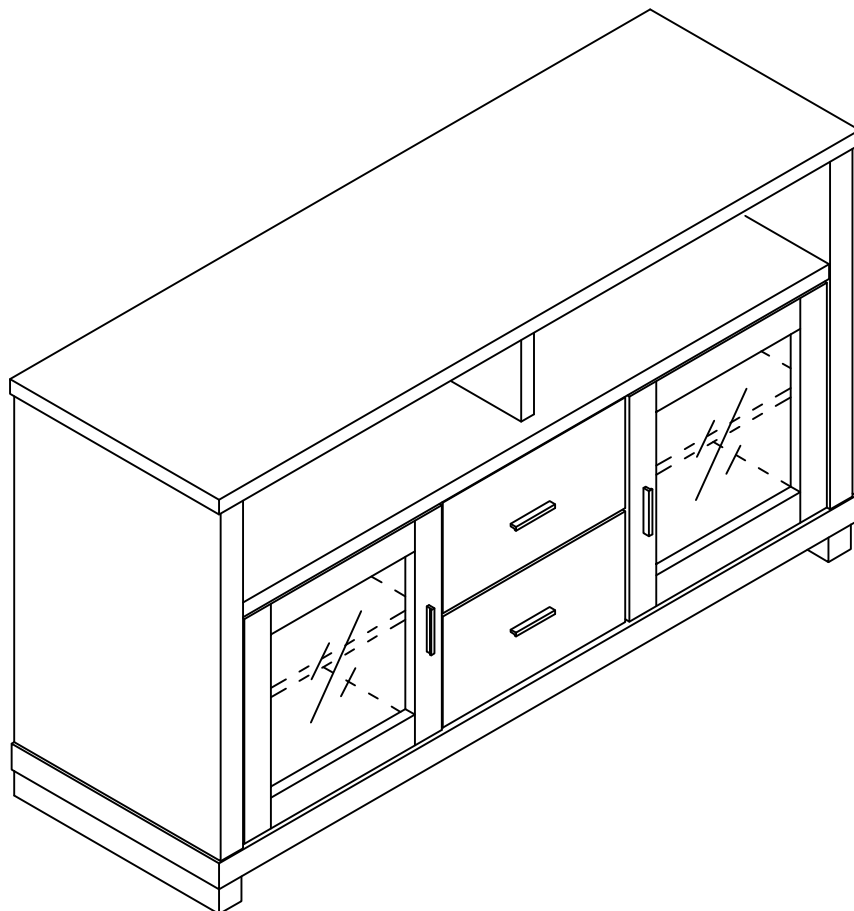
PLEASE READ BEFORE ASSEMBLING!

Tip #1: Make sure you've taken all the pieces and hardware out of its packaging before discarding the box.

Tip #2: Using page 2 and/or page 3 of instruction manual make sure all pieces and hardware are accounted for.

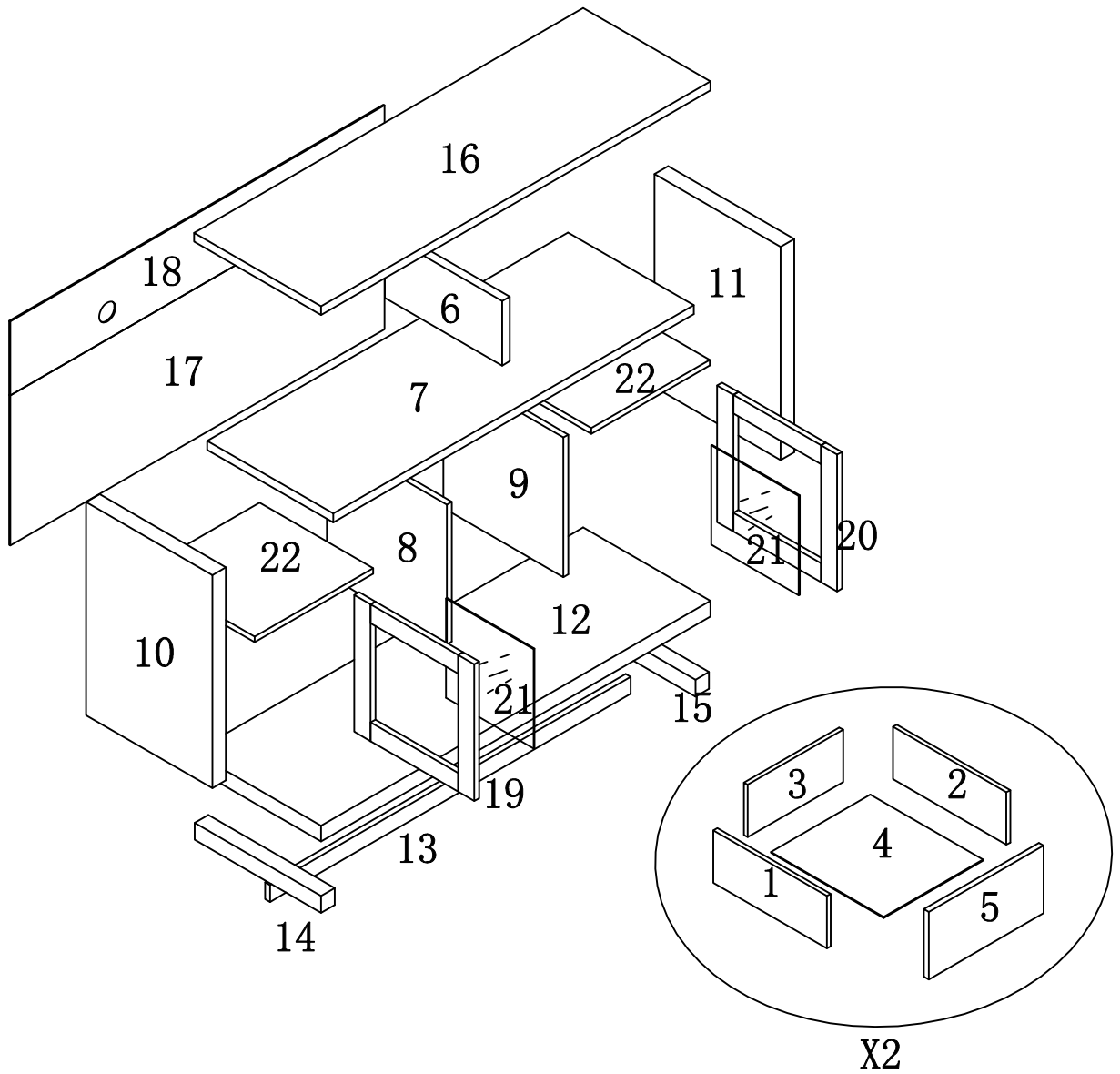
Tip #3: Read manual before assembling, it helps!

ITEM#: 13594 151202



PARTS IDENTIFICATION

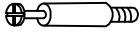


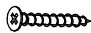
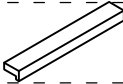




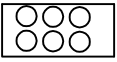
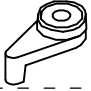










ITEM#: 13594 151202



(1)	2pcs	(8)	1pc	(15)	1pc	(22)	2pcs
(2)	2pcs	(9)	1pc	(16)	1pc		
(3)	2pcs	(10)	1pc	(17)	1pc		
(4)	2pcs	(11)	1pc	(18)	1pc		
(5)	2pcs	(12)	1pc	(19)	1pc		
(6)	1pc	(13)	2pcs	(20)	1pc		
(7)	1pc	(14)	1pc	(21)	2pcs		

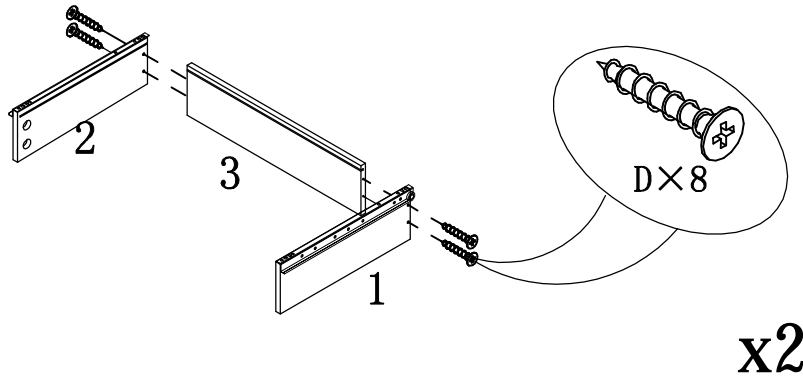
HARDWARE IDENTIFICATION

ITEM#: 13594 151202

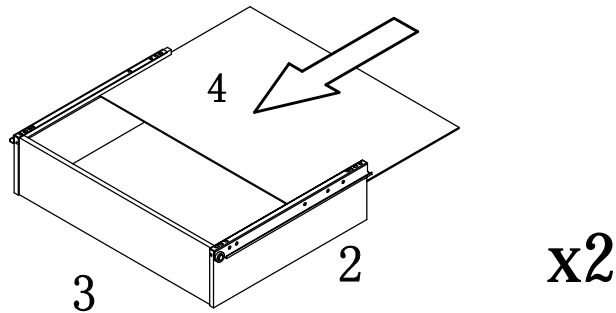
A		L=29	16pcs
B		φ15	16pcs
C		φ8x25	17pcs
D		φ4x30	8pcs
E		64#	4pcs
F		φ4x22	8pcs
G		φ5	8pcs
H		φ3.5x12	8pcs
I		φ4x50	10pcs
J		φ20	6pcs
K			8pcs
L		φ16	6pcs
M		L20	8pcs
N		φ12	8pcs
O			2sets
P		Z1016	30pcs
Q		φ3x16	4pcs
R		φ3x14	4pcs
S			2sets
T		φ7x48	6pcs
V		Glue: For securing please apply to wood dowel first before inserting into panel	1pc

ASSEMBLY INSTRUCTION

ITEM#: 13594 151202

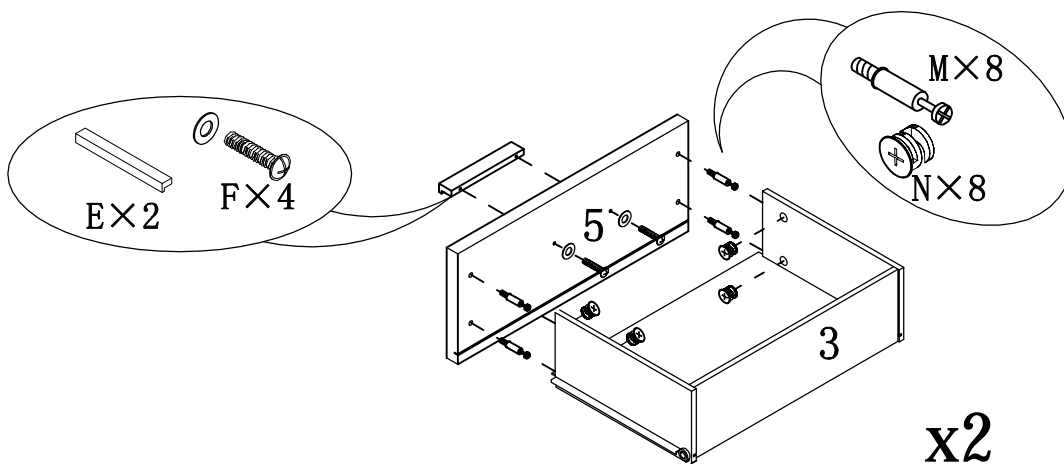


STEP 1



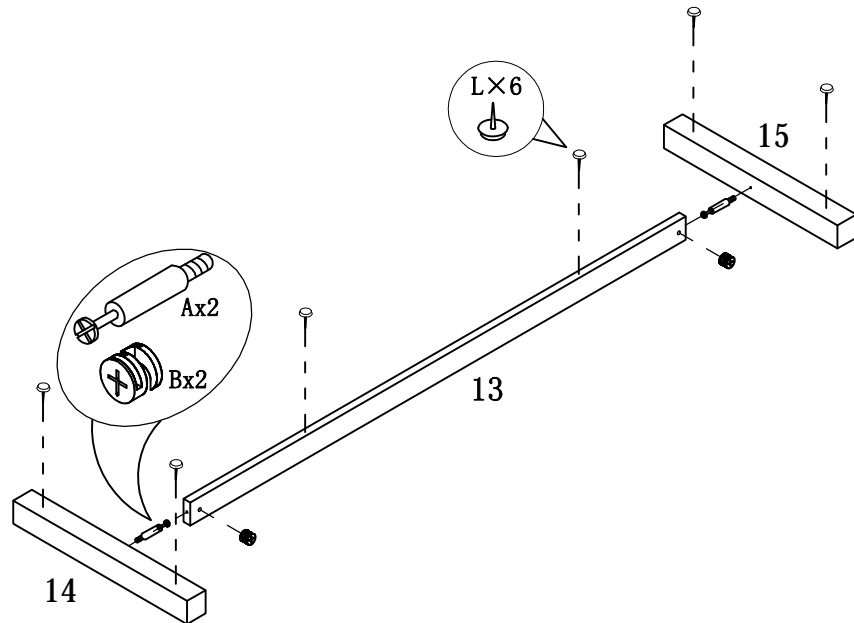
STEP 2

STEP 3



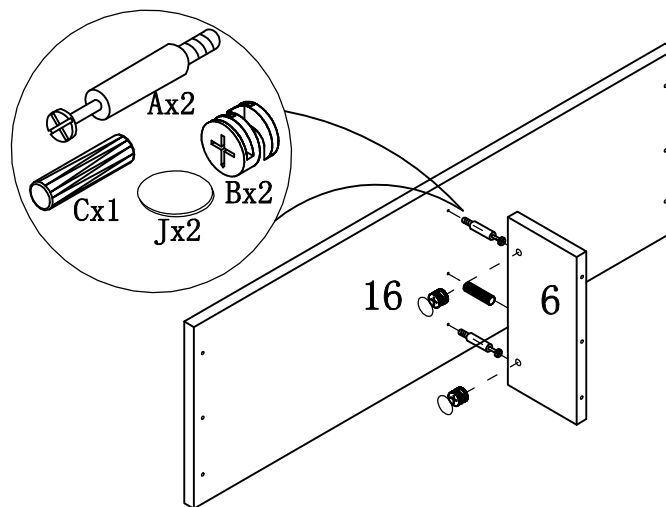
ASSEMBLY INSTRUCTION

ITEM#: 13594 151202



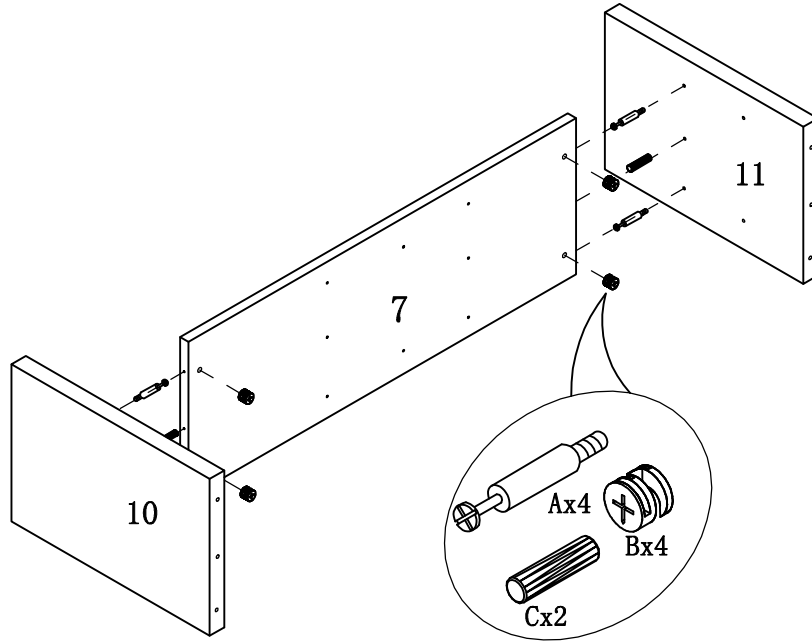
STEP 4

STEP 5



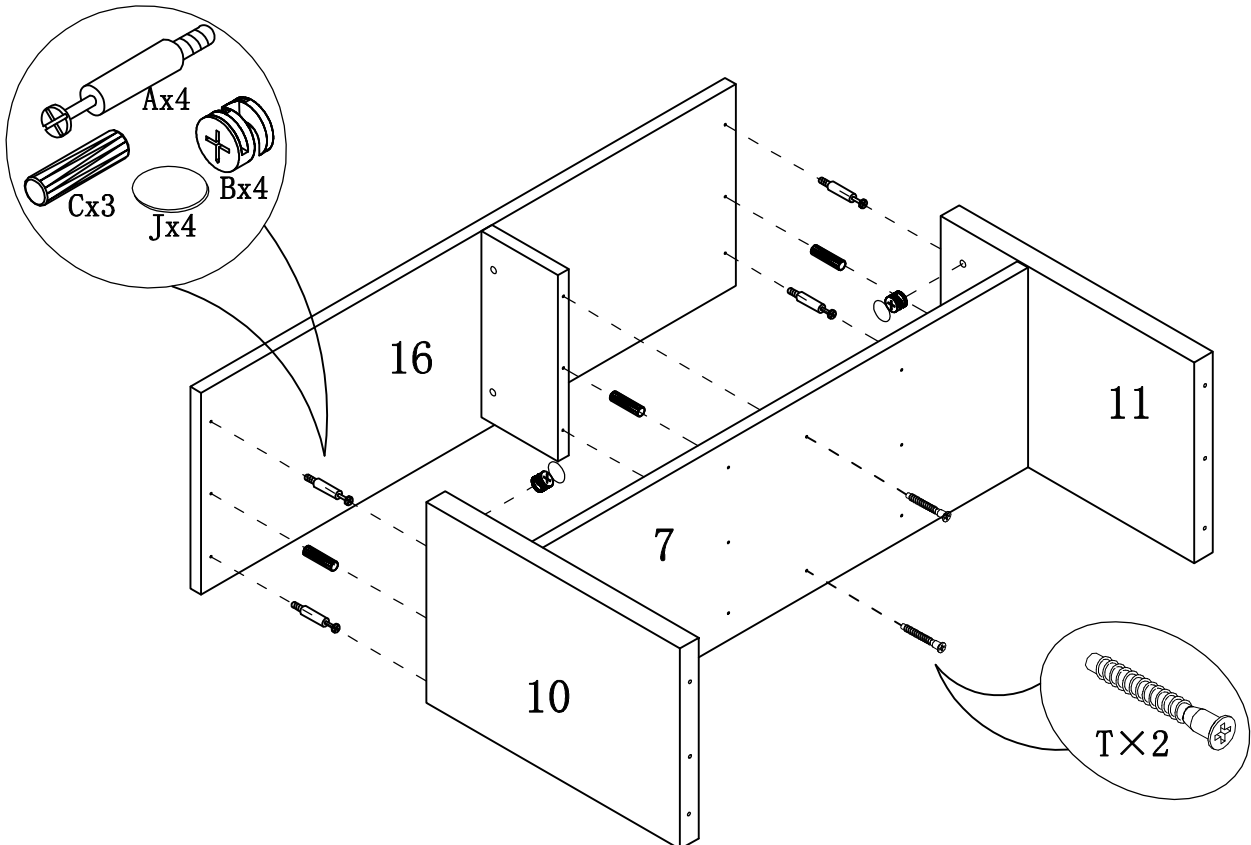
ASSEMBLY INSTRUCTION

ITEM#: 13594 151202



STEP 6

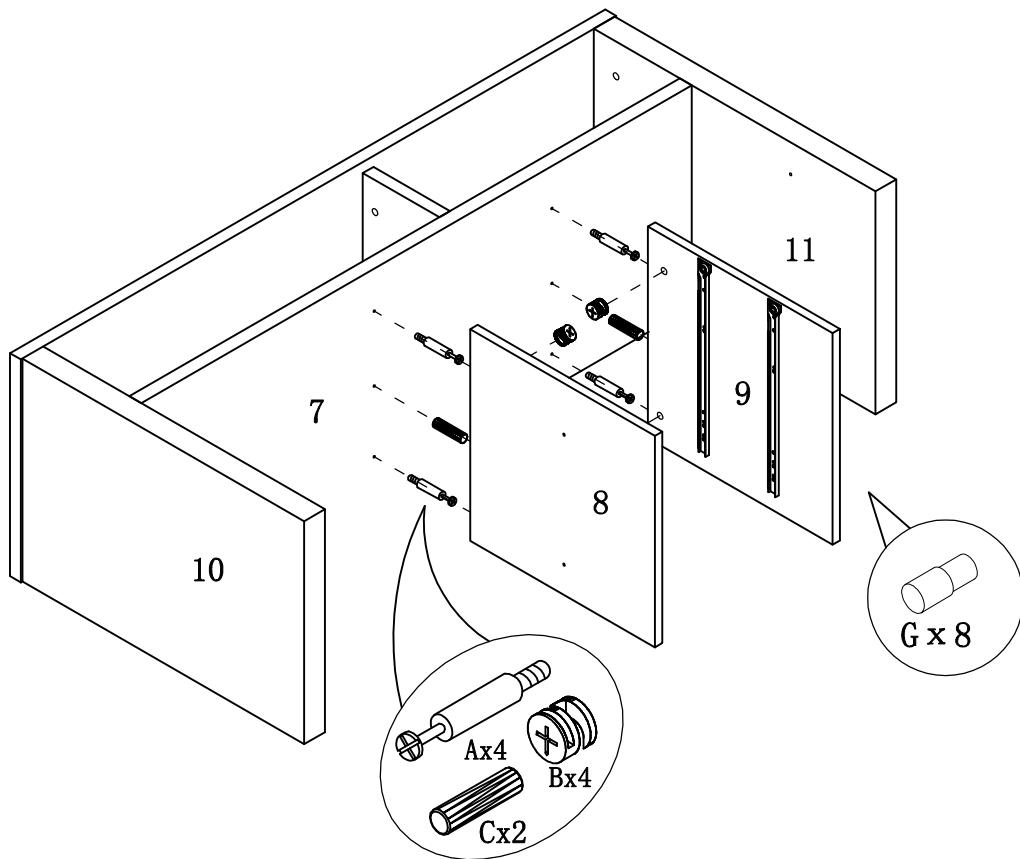
STEP 7



PAGE 6 OF 10

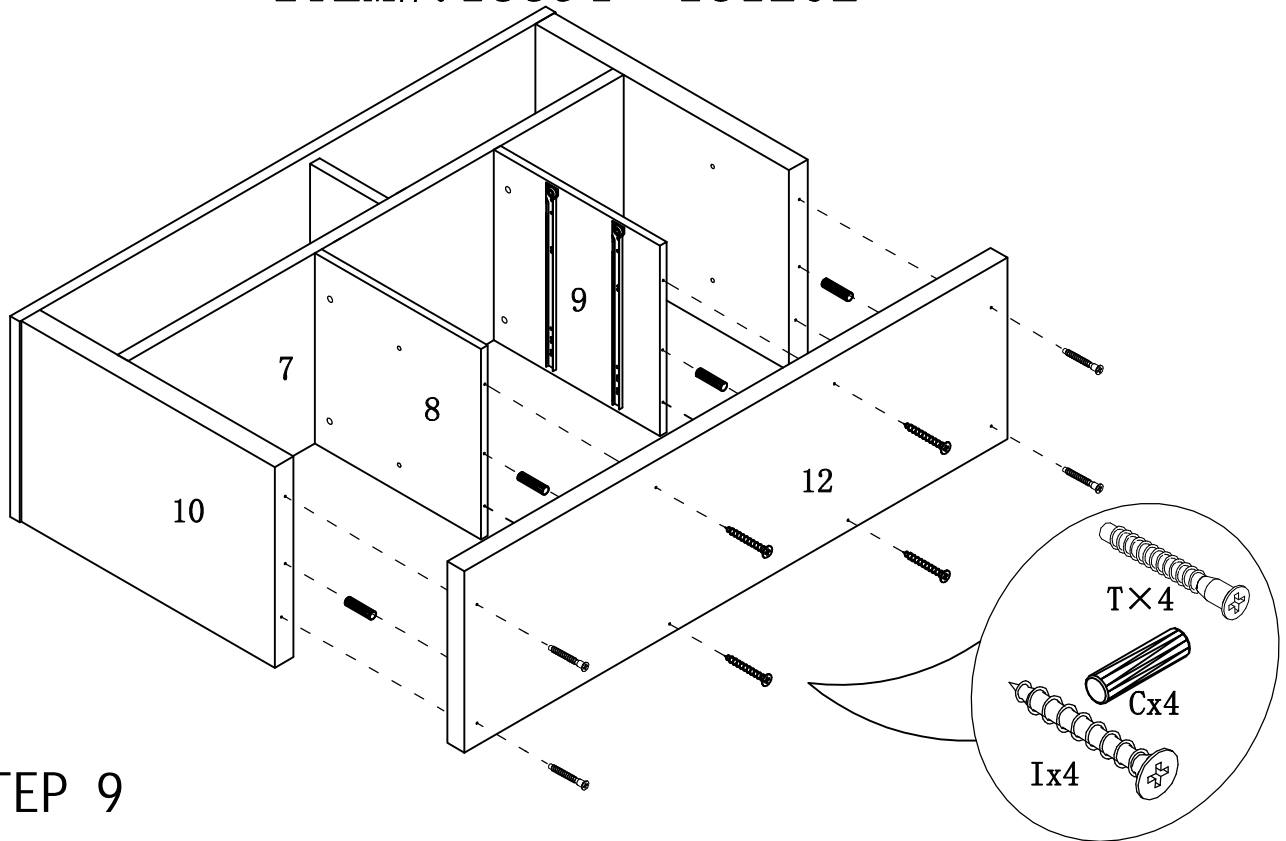
ASSEMBLY INSTRUCTION

ITEM#: 13594 151202



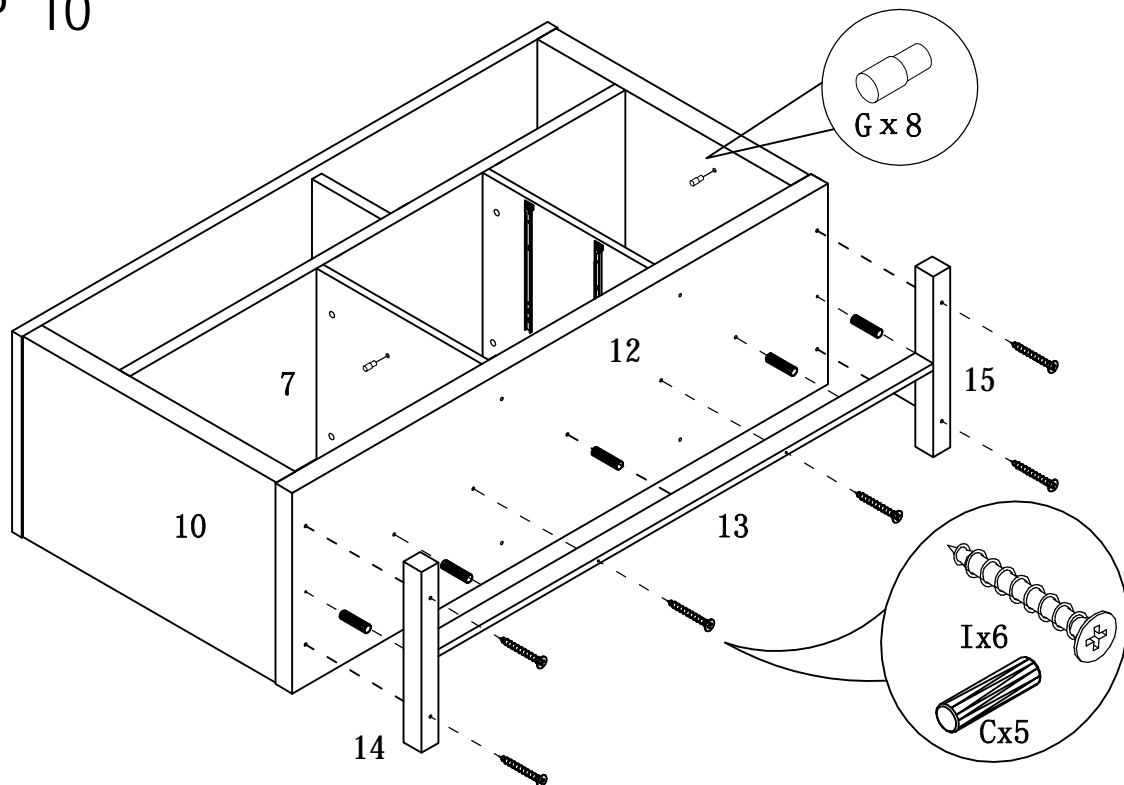
ASSEMBLY INSTRUCTION

ITEM#: 13594 151202



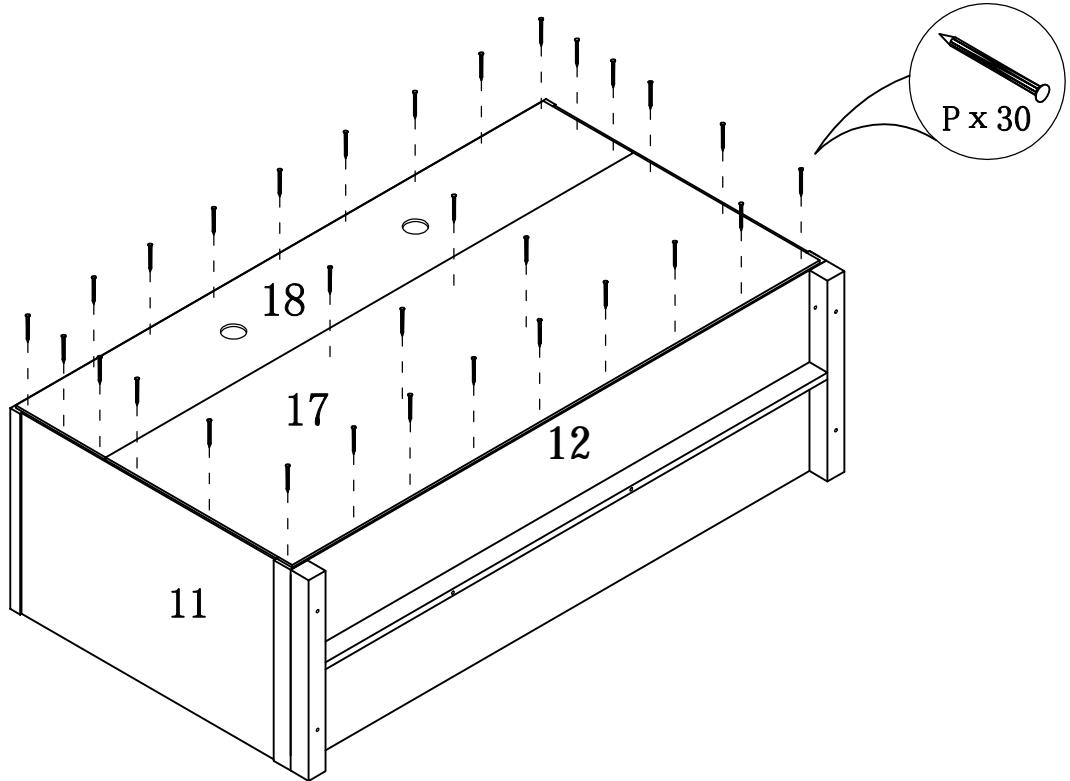
STEP 9

STEP 10



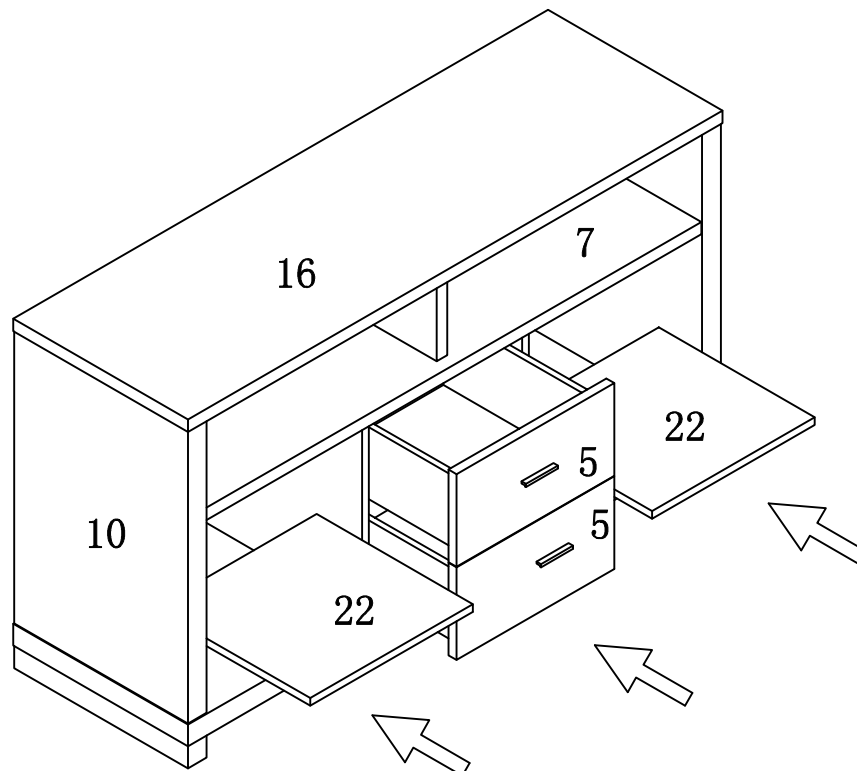
ASSEMBLY INSTRUCTION

ITEM#: 13594 151202



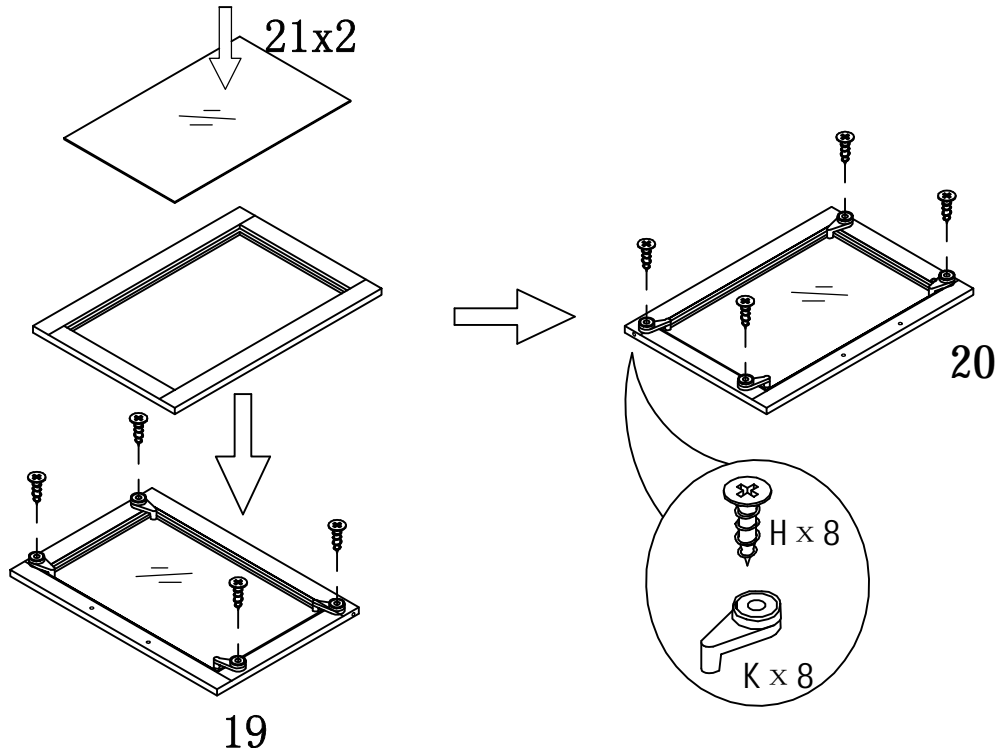
STEP 11

STEP 12



ASSEMBLY INSTRUCTION

ITEM#: 13594 151202



STEP 13

STEP 14

