

ASSEMBLY INSTRUCTION

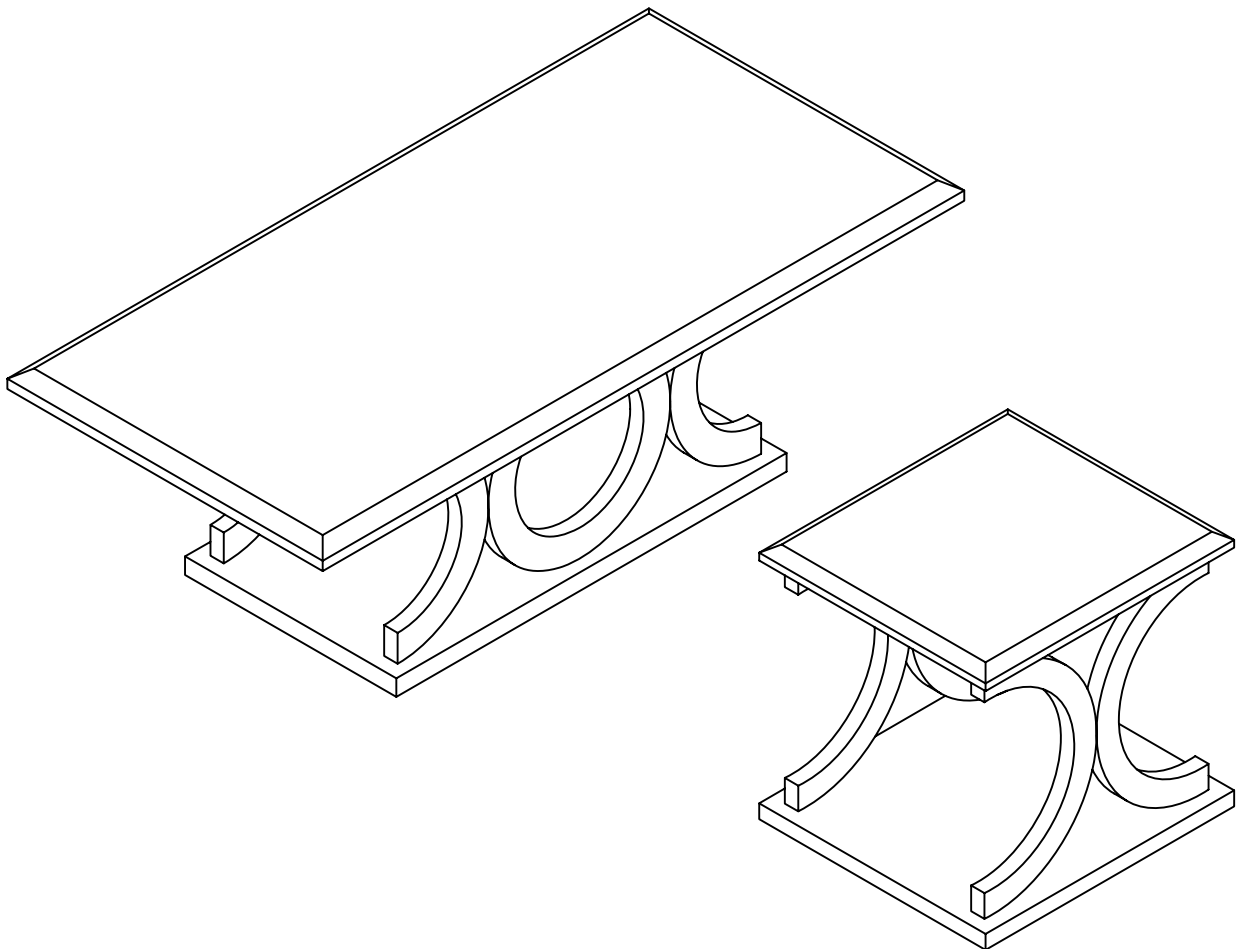
PLEASE READ BEFORE ASSEMBLING!

Tip #1: Make sure you've taken all the pieces and hardware out of its packaging before discarding the box.

Tip #2: Using page 2 and/or page 3 of instruction manual make sure all pieces and hardware are accounted for.

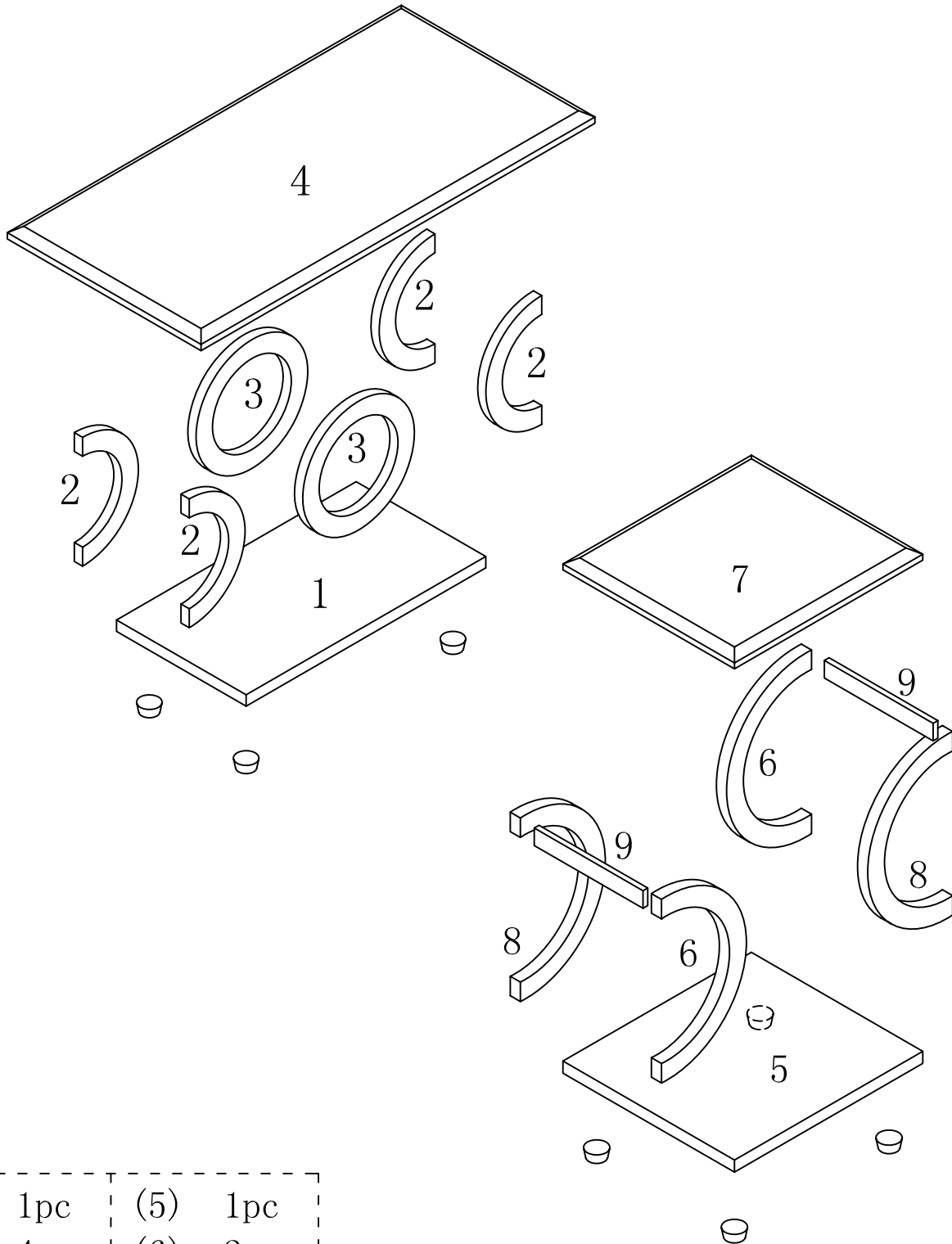
Tip #3: Read manual before assembling, it helps!

ITEM#: 13692-X2



PARTS IDENTIFICATION

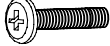
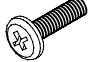

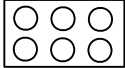








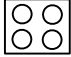

ITEM#: 13692-X2



(1)	1pc	(5)	1pc
(2)	4pcs	(6)	2pcs
(3)	2pcs	(7)	1pc
(4)	1pc	(8)	2pcs
		(9)	2pcs

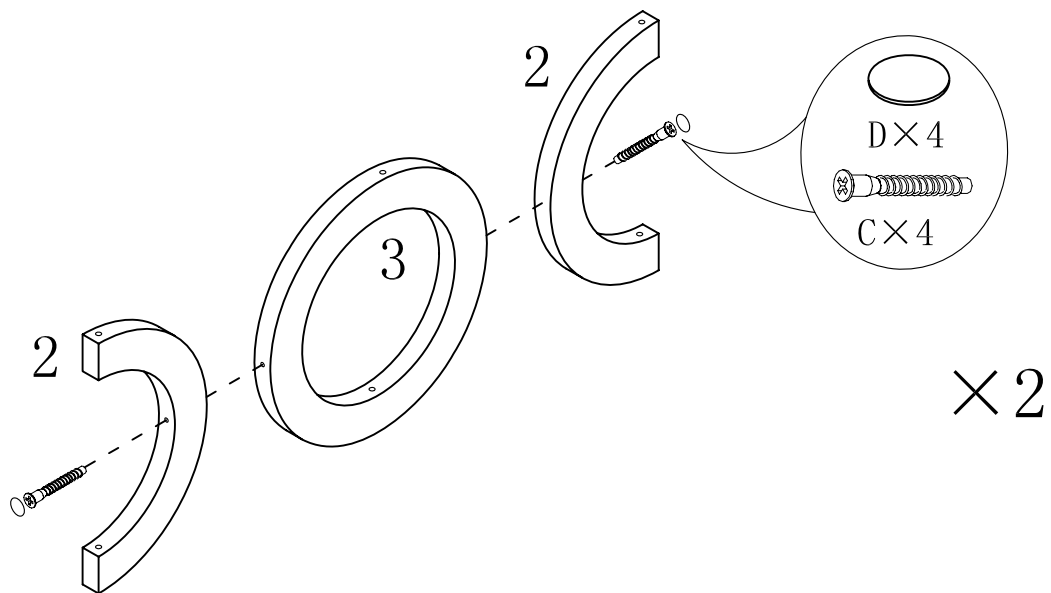
HARDWARE IDENTIFICATION

ITEM#: 13692-X2

A		M6 x 60	2pcs
B		M6 x 40	8pcs
C		ø7 x 58	12pcs
D		ø20	6pcs
E		ø55 x 25	8pcs
F		L29	4pcs
G		ø15	4pcs
H		ø8 x 25	6pcs
I		ø6x55	4pcs
J		ø10 x 15	4pcs
K		M4	1pc
L		ø4 x 50	4pcs
M		ø13	4pcs
N		Glue: For securing please apply to wood dowel first before inserting into panel	1pc

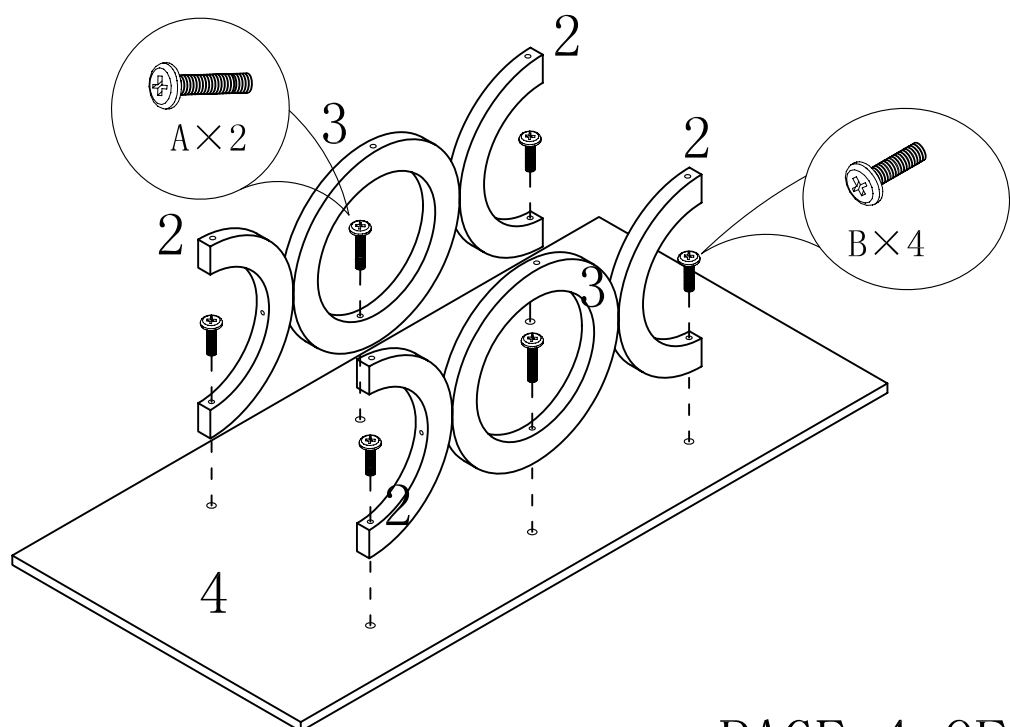
ASSEMBLY INSTRUCTION

ITEM#: 13692-X2



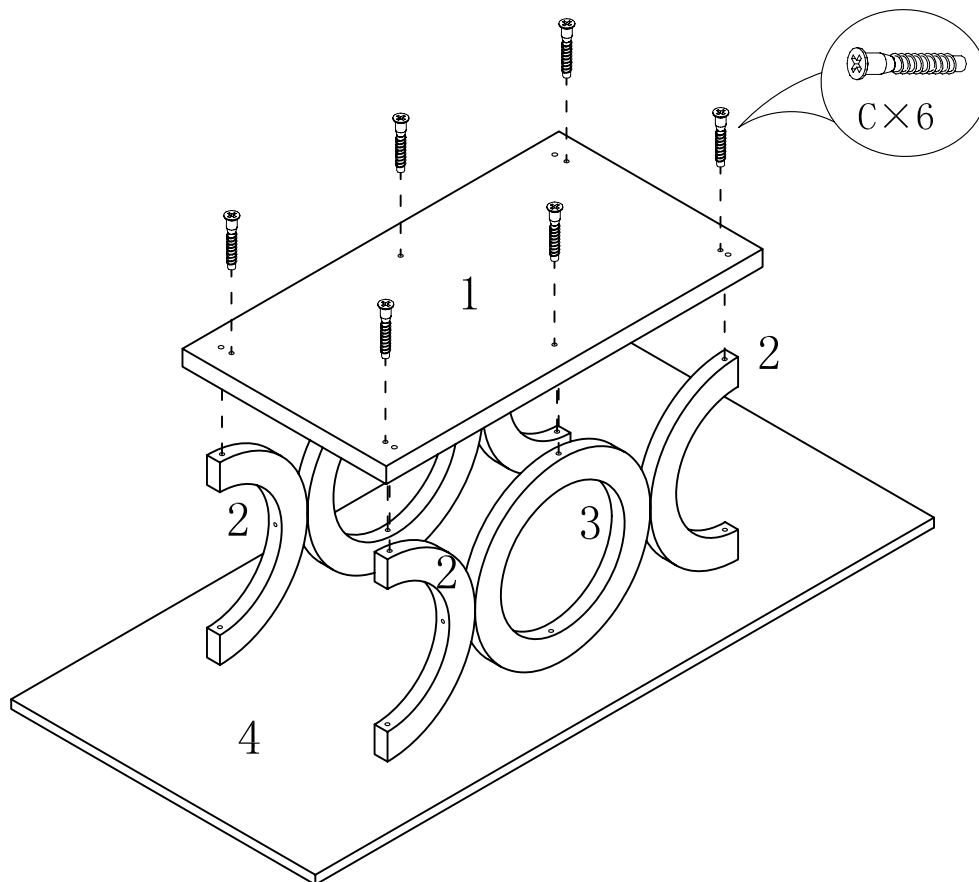
STEP 1

STEP 2



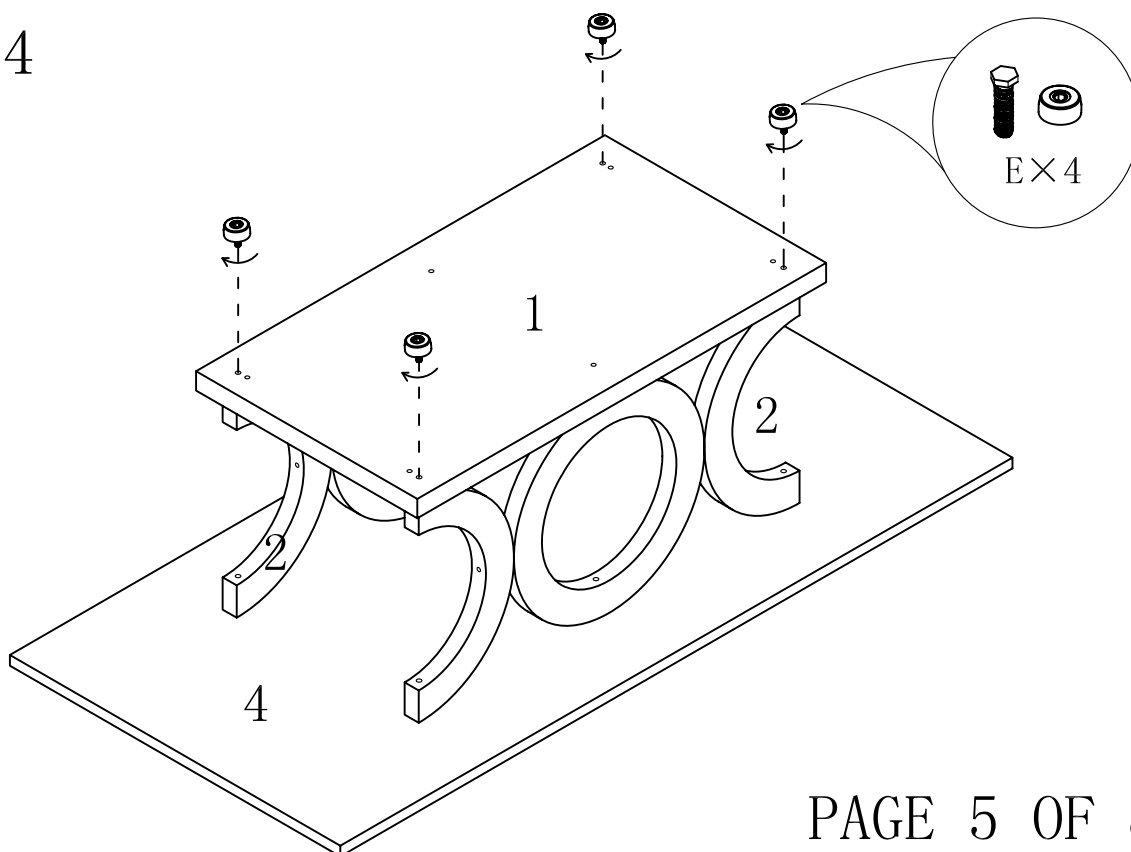
ASSEMBLY INSTRUCTION

ITEM#: 13692-X2



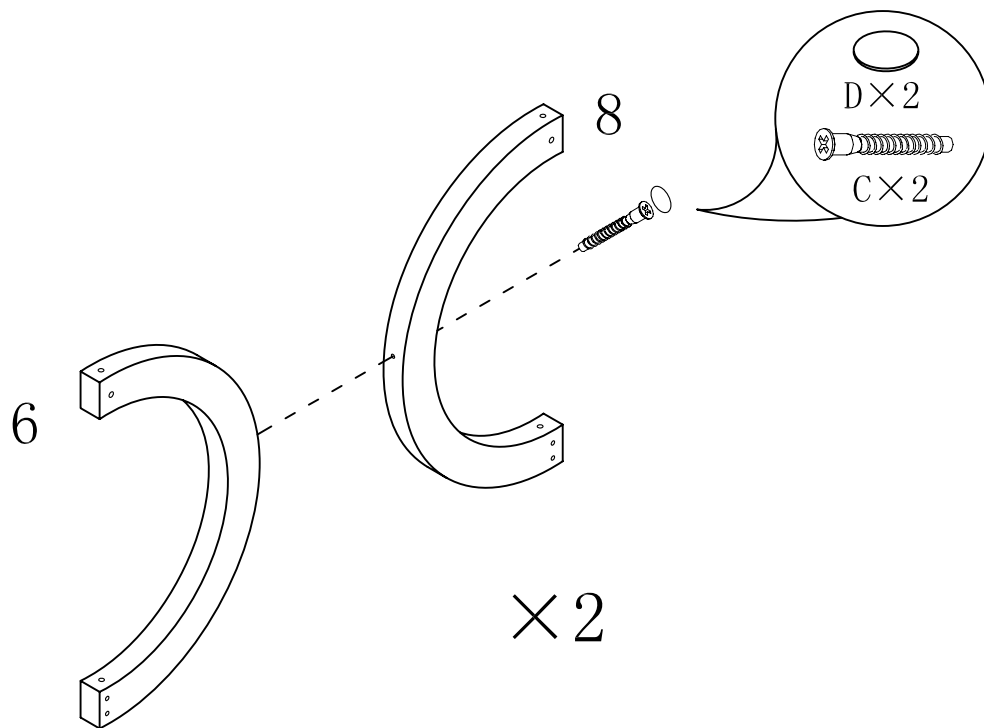
STEP 3

STEP 4



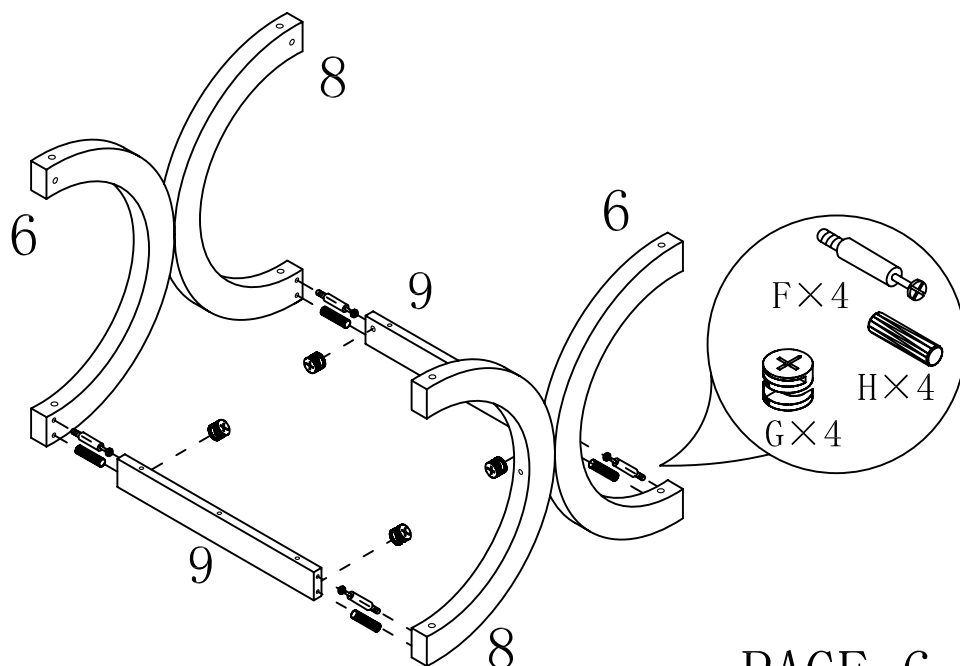
ASSEMBLY INSTRUCTION

ITEM#: 13692-X2



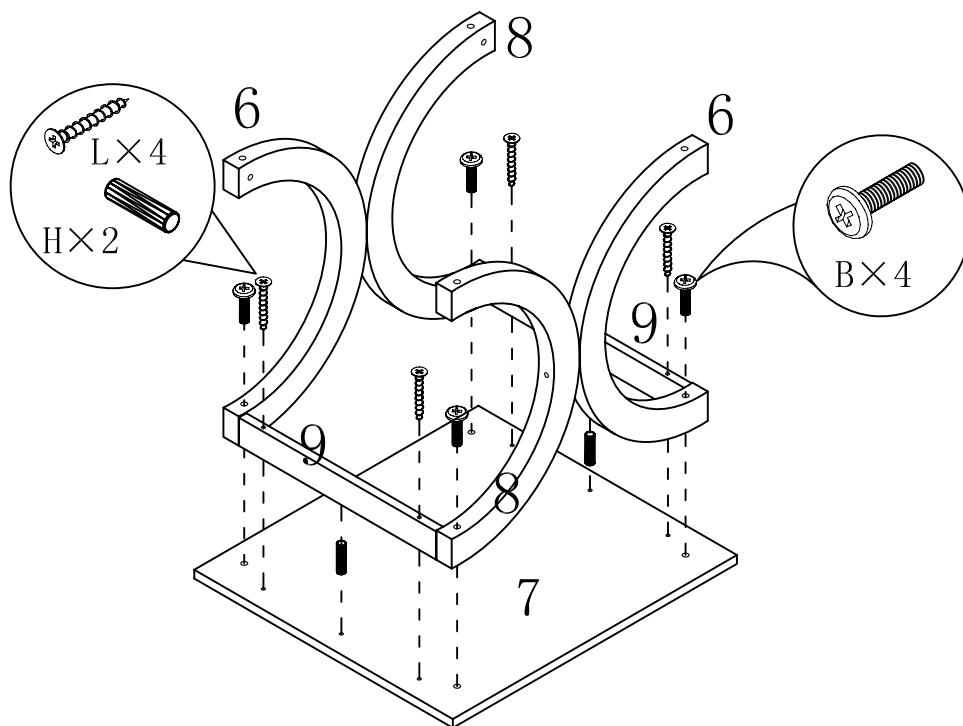
STEP 5

STEP 6



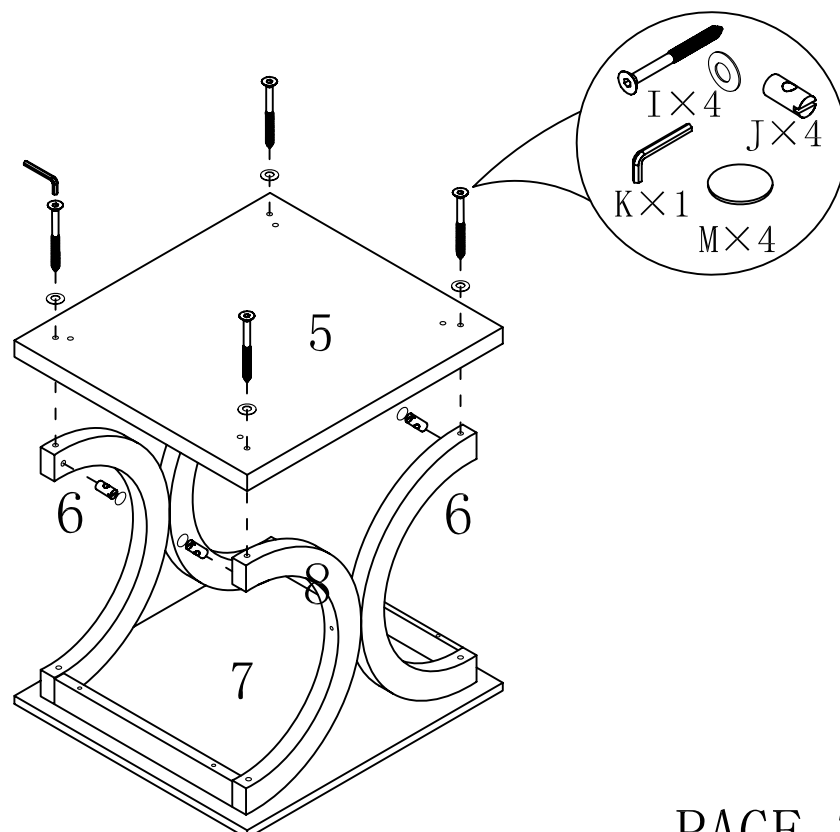
ASSEMBLY INSTRUCTION

ITEM#: 13692-X2



STEP 7

STEP 8



ASSEMBLY INSTRUCTION

ITEM#: 13692-X2

