

ASSEMBLY INSTRUCTION

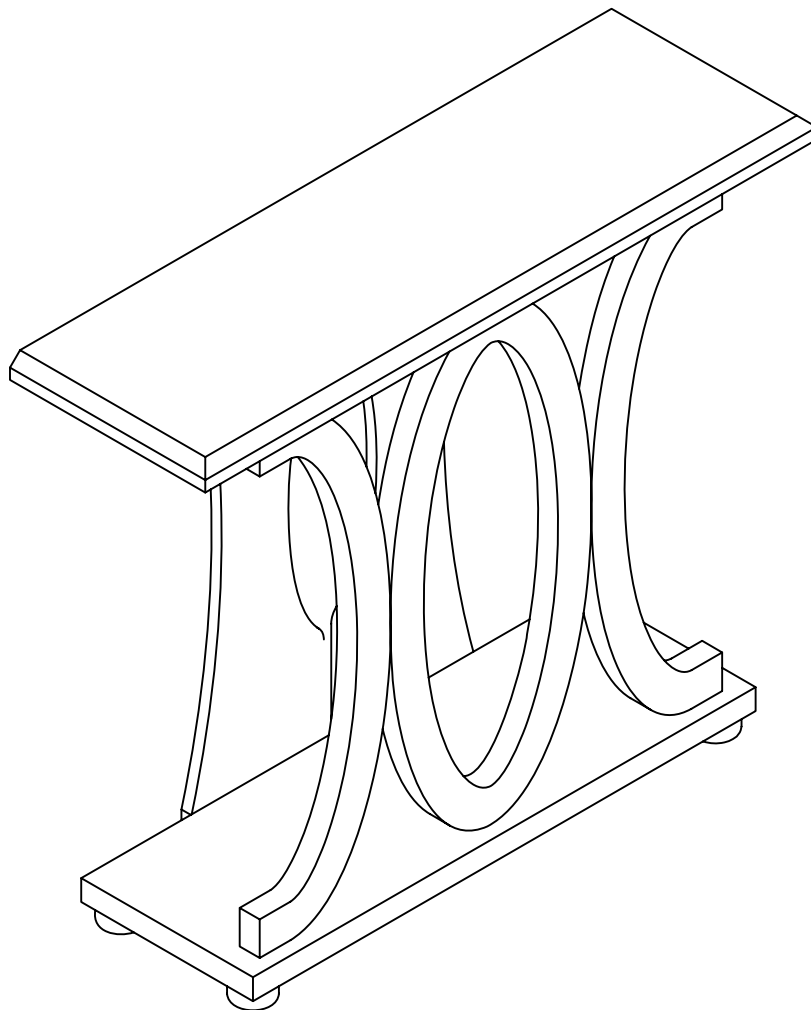
PLEASE READ BEFORE ASSEMBLING!

Tip #1: Make sure you've taken all the pieces and hardware out of its packaging before discarding the box.

Tip #2: Using page 2 and/or page 3 of instruction manual make sure all pieces and hardware are accounted for.

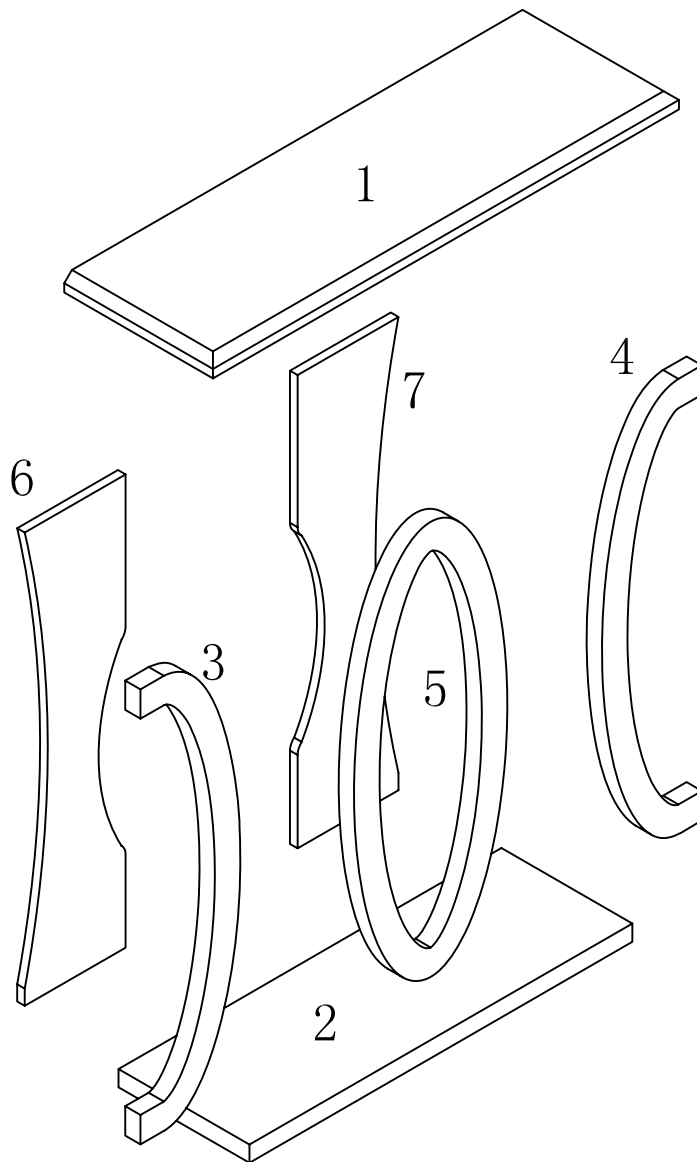
Tip #3: Read manual before assembling, it helps!

ITEM#: 13704



PARTS IDENTIFICATION

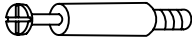

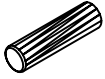

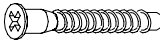


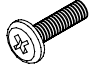

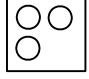




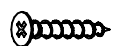
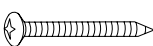
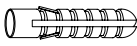

ITEM#: 13704



(1)	1pc	(6)	1pc
(2)	1pc	(7)	1pc
(3)	1pc		
(4)	1pc		
(5)	1pc		

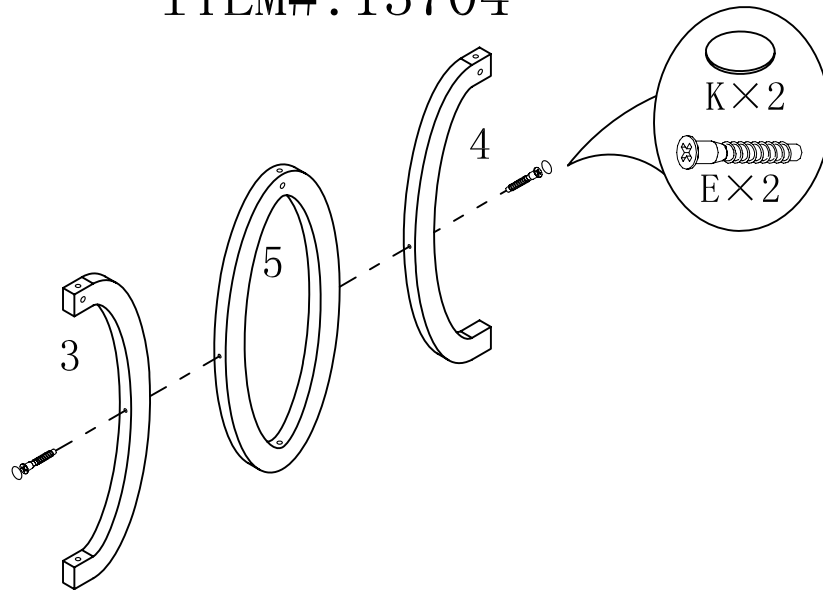
HARDWARE IDENTIFICATION

ITEM#: 13704

A		L29	4pcs
B		ø15	4pcs
C		ø8 x 25	4pcs
D		ø7 x 48	4pcs
E		ø7 x 58	2pcs
F		ø6x55	3pcs
G		ø10 x 15	3pcs
H		M6 x 45	2pcs
I		M6 x 65	1pc
J		ø13	3pcs
K		ø20	2pcs
L		ø55 x 25	4pcs
M		M4	1pc
N			1pc
O		ø4 x 25	1pc
P		ø5 x 40	1pc
Q		ø8 x 40	1pc
R		Glue: For securing please apply to wood dowel first before inserting into panel	1pc

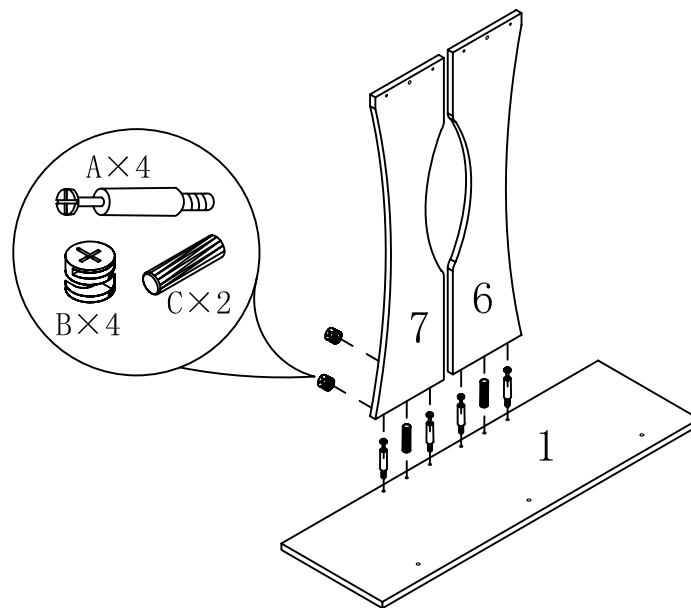
ASSEMBLY INSTRUCTION

ITEM#: 13704

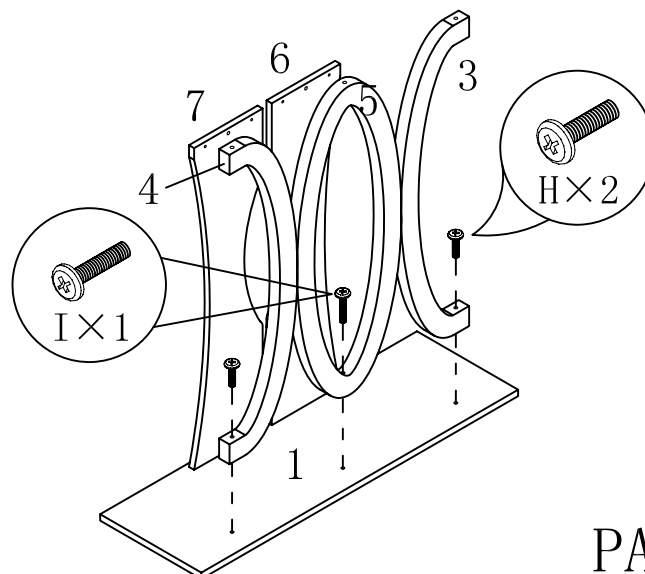


STETP 1

STETP 2

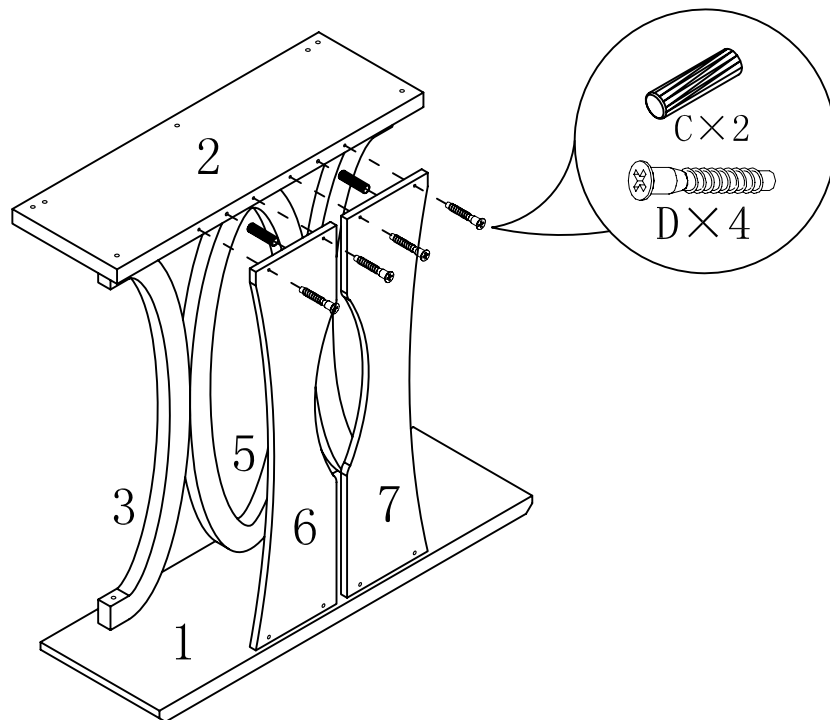


STETP 3



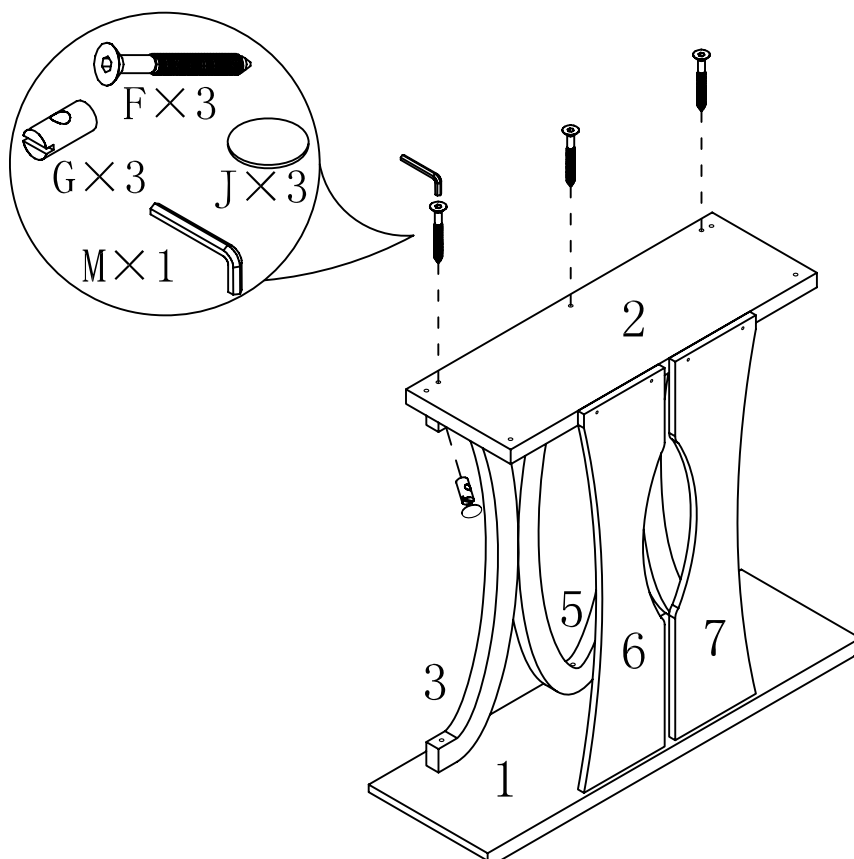
ASSEMBLY INSTRUCTION

ITEM#: 13704



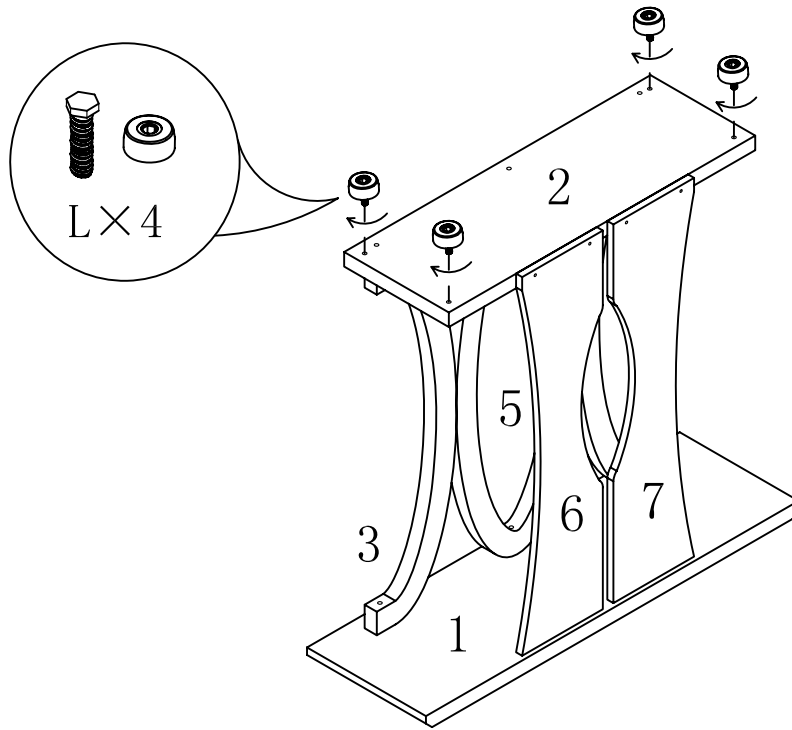
STETP 4

STETP 5



ASSEMBLY INSTRUCTION

ITEM#: 13704



STEP 6

STEP 7

