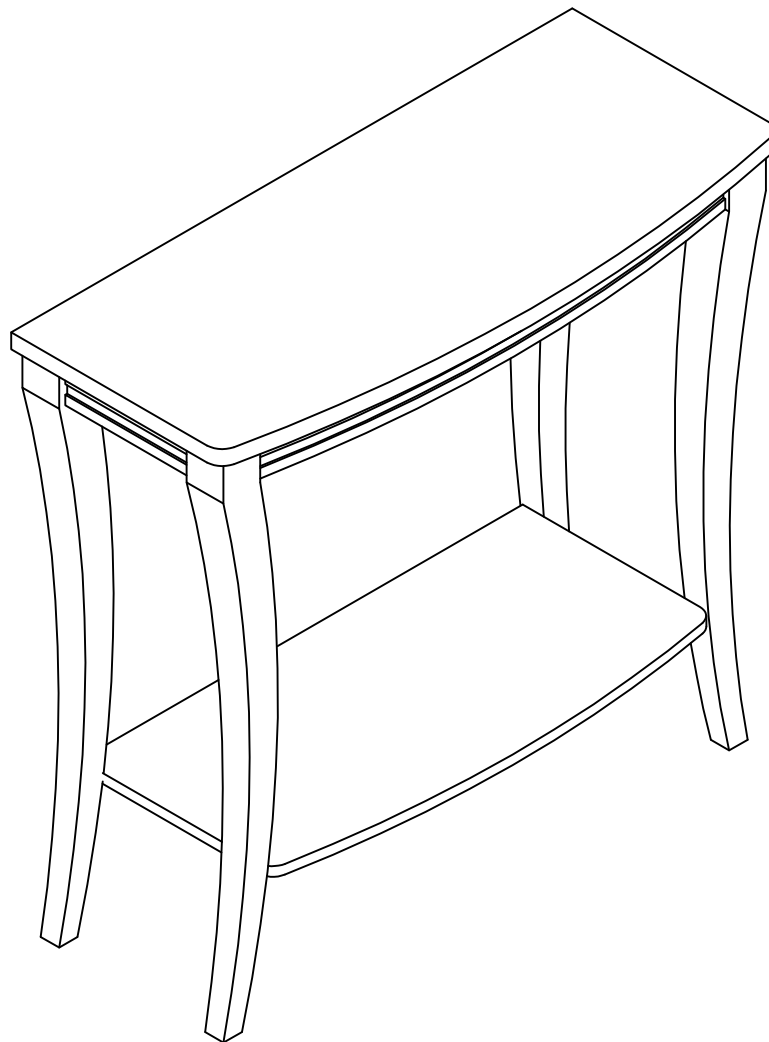


ASSEMBLY INSTRUCTION

ITEM#: 13707



ASSEMBLY INSTRUCTION

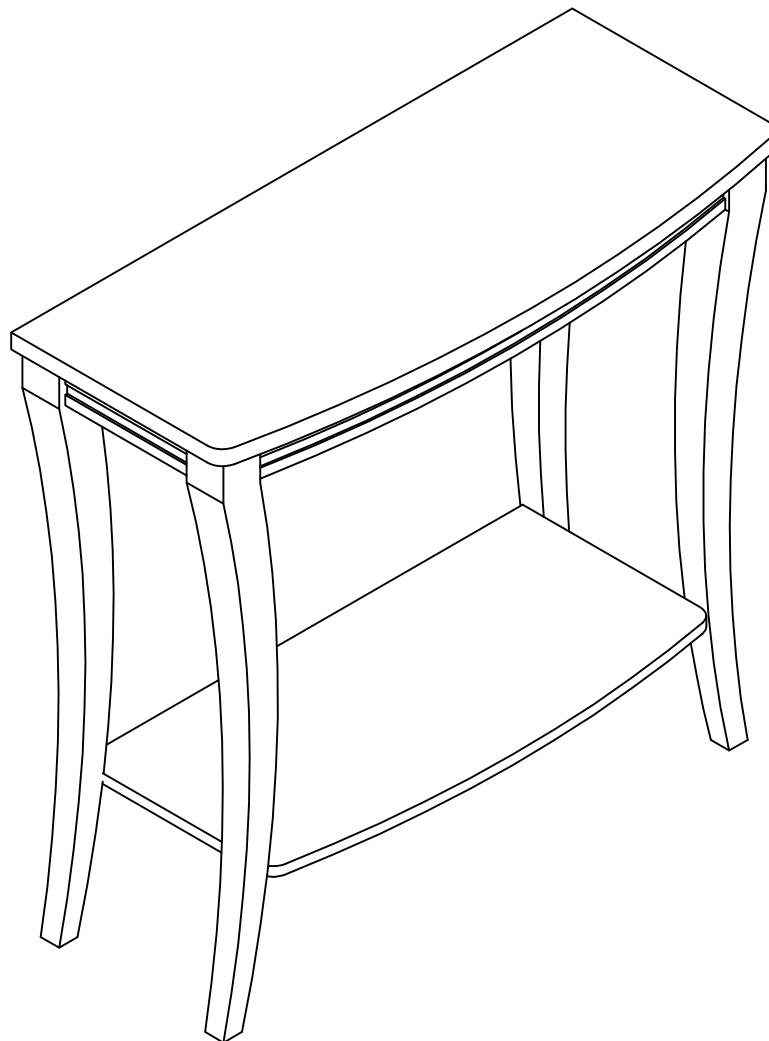
PLEASE READ BEFORE ASSEMBLING!

Tip #1: Make sure you've taken all the pieces and hardware out of its packaging before discarding the box.

Tip #2: Using page 2 and/or page 3 of instruction manual make sure all pieces and hardware are accounted for.

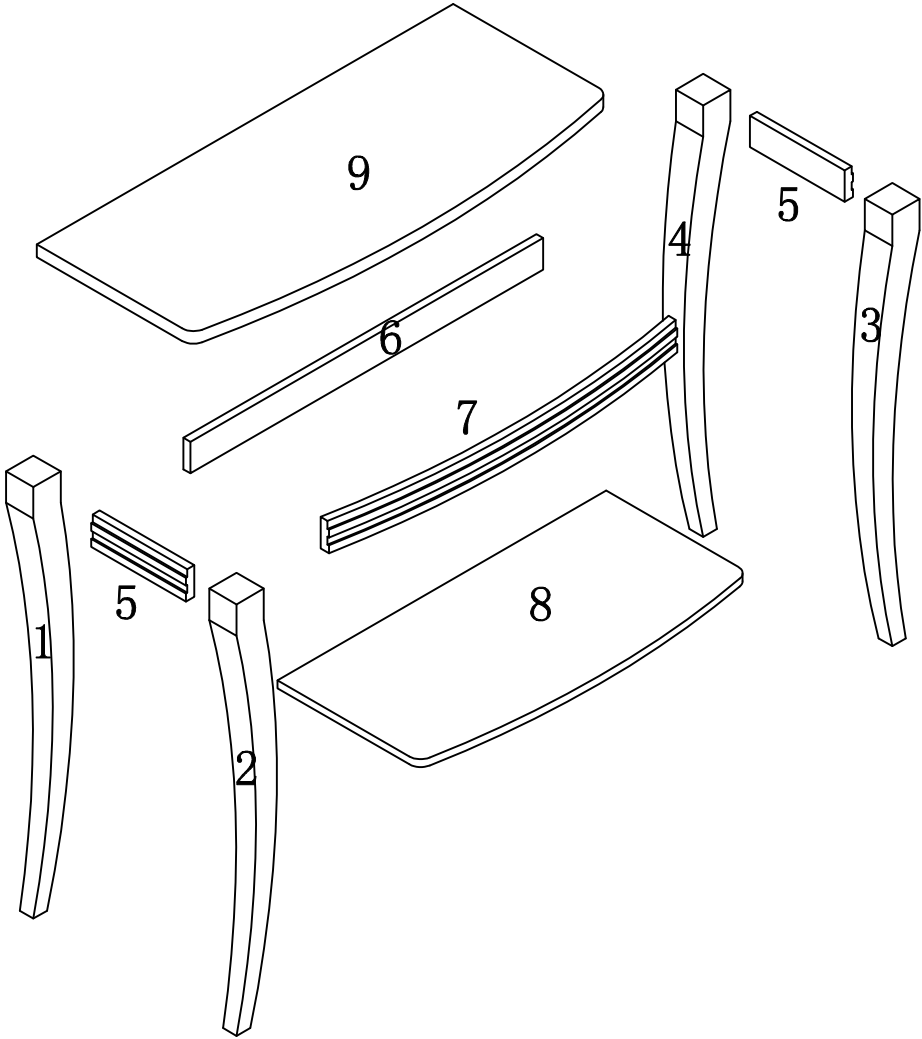
Tip #3: Read manual before assembling, it helps!

ITEM#: 13707



PARTS IDENTIFICATION

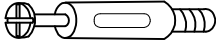





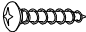
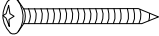
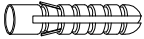

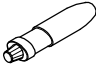
ITEM#: 13707



- (1) 1pc
- (2) 1pc
- (3) 1pc
- (4) 1pc
- (5) 2pcs
- (6) 1pc
- (7) 1pc
- (8) 1pc
- (9) 1pc

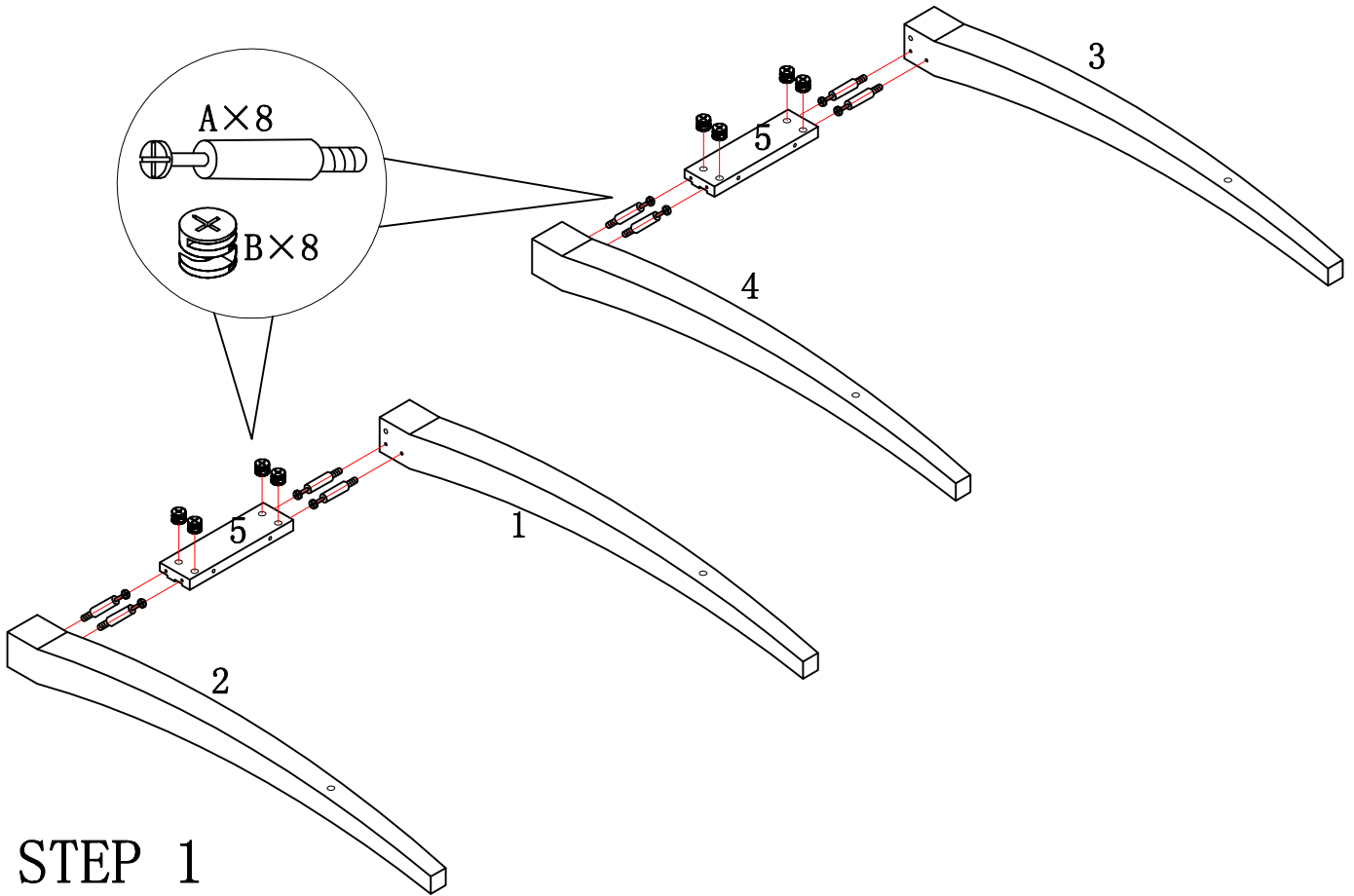
HARDWARE IDENTIFICATION

ITEM#: 13707

| | | | |
|---|---|---|-------|
| A |  | L29 | 20pcs |
| B |  | □15 | 20pcs |
| C |  | □8×25 | 6pcs |
| D |  | □4×35 | 4pcs |
| E |  | □4×50 | 10pcs |
| F |  | 197×5×1 | 1pc |
| G |  | □4×25 | 1pc |
| H |  | □5×40 | 1pc |
| I |  | □8×40 | 1pc |
| J |  | 12×12×1 | 2pcs |
| K |  | Glue: For securing please apply to wood dowel first before inserting into panel | 1pc |

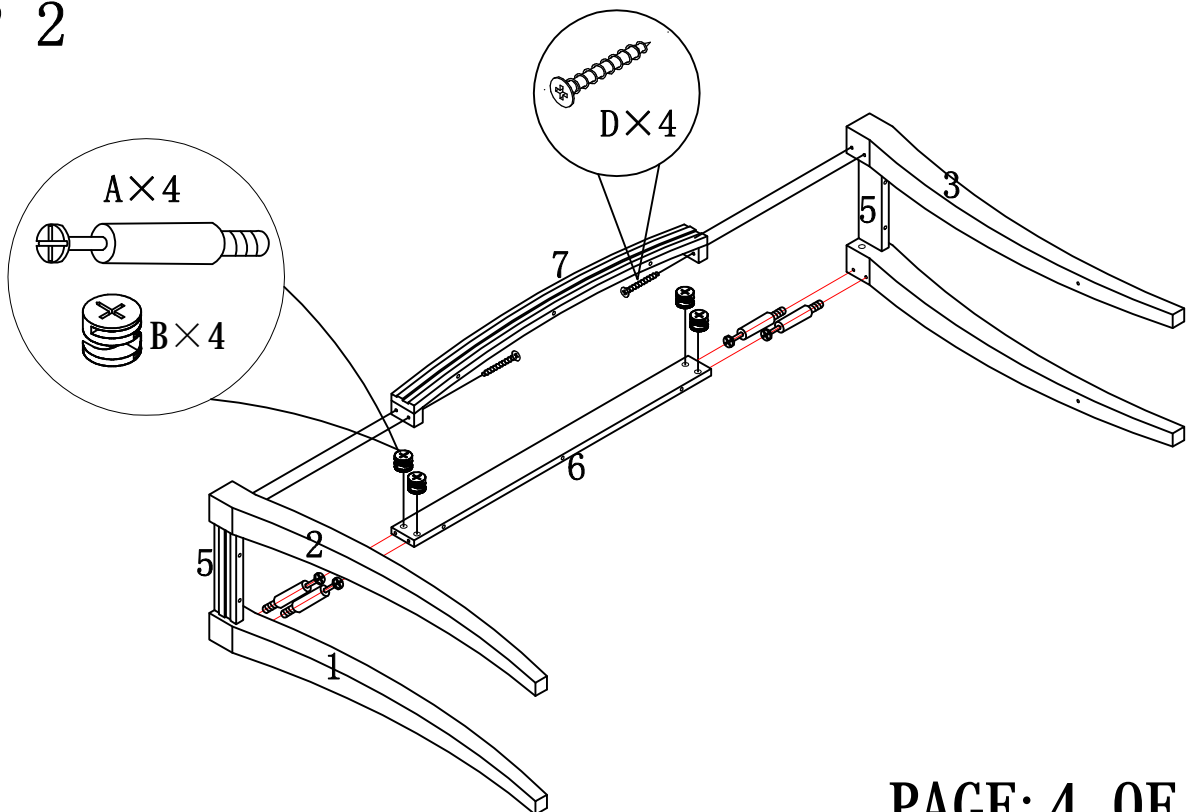
ASSEMBLY INSTRUCTION

ITEM#: 13707



STEP 1

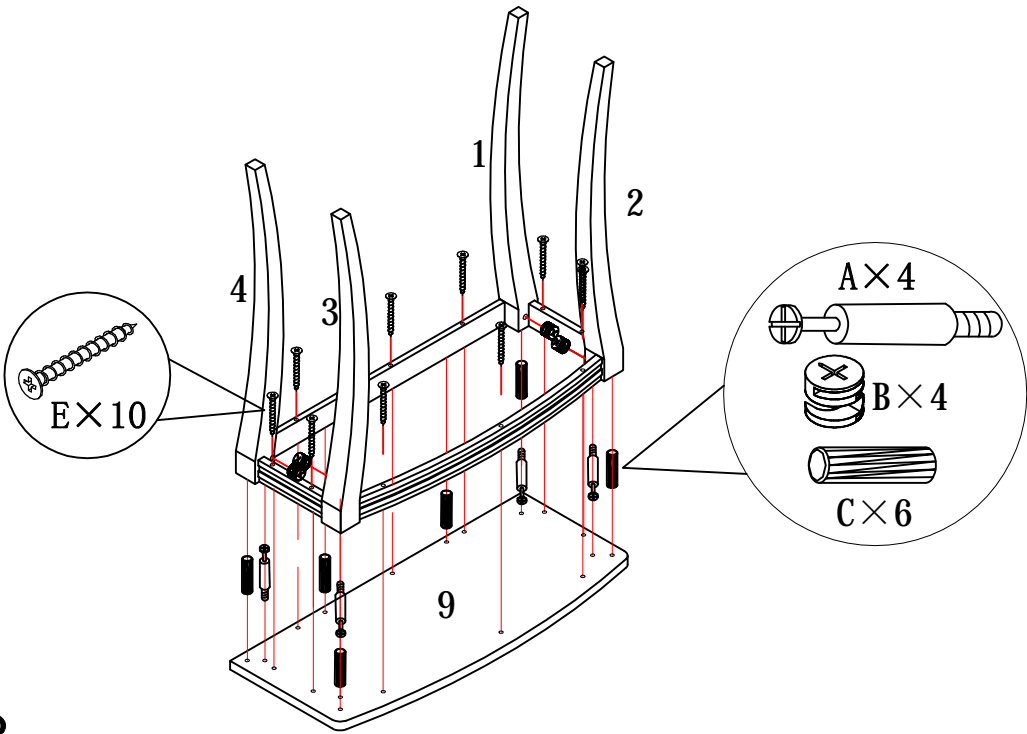
STEP 2



PAGE: 4 OF 6

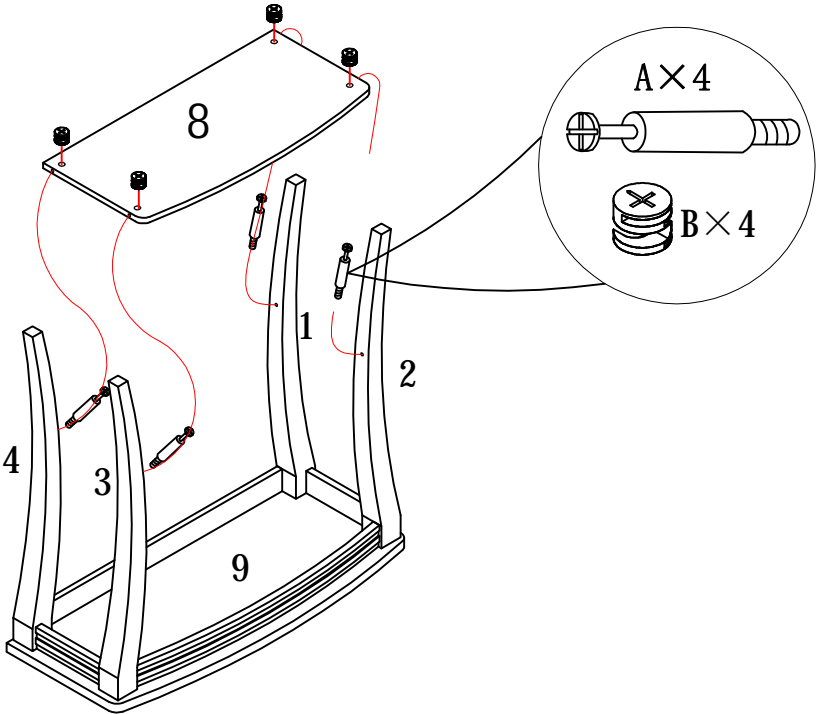
ASSEMBLY INSTRUCTION

ITEM#: 13707



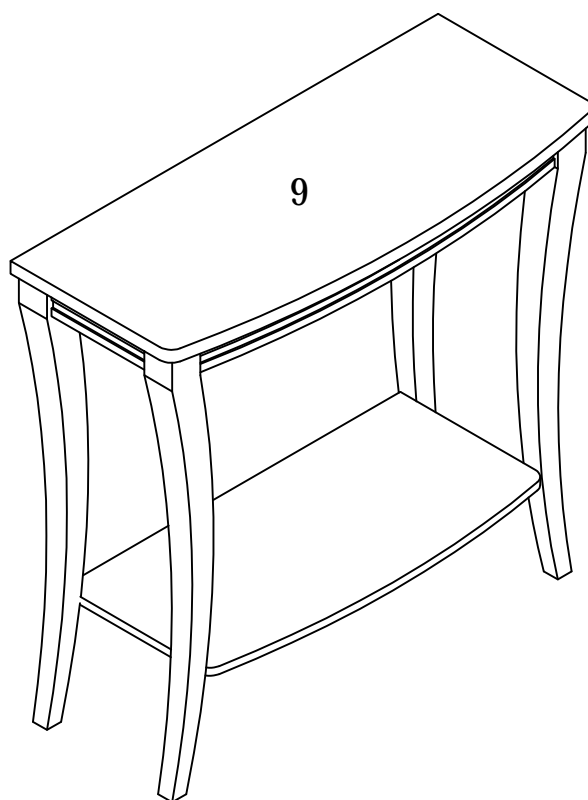
STEP 3

STEP 4



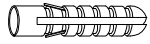
ASSEMBLY INSTRUCTION

ITEM#: 13707

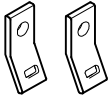


ANTI-TIPPING STRAP INSTRUCTION

HARDWARE (INCLUDED) :



DRYWALL ANCHOR $\phi 8 \times 40$ X 1PC



METAL BRACKETS $12 \times 12 \times 1$ X 2PCS



DRYWALL SCREW $\phi 5 \times 40$ X 1PC

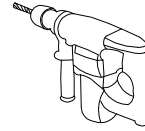


STRAP $197 \times 5 \times 1$ X 1PC



FLATHEAD SCREW $\phi 4 \times 25$ X 1PC

TOOLS NEEDED (NOT INCLUDED) :



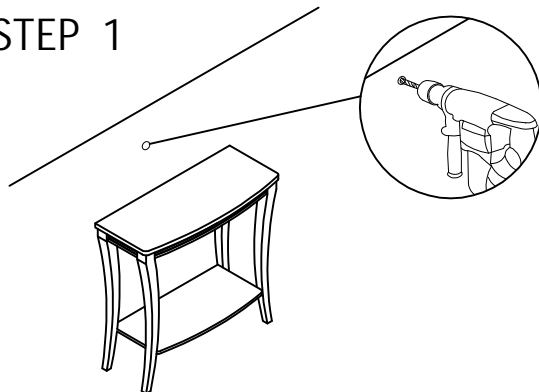
DRILL & DRILL BIT



LIGHT HAMMER

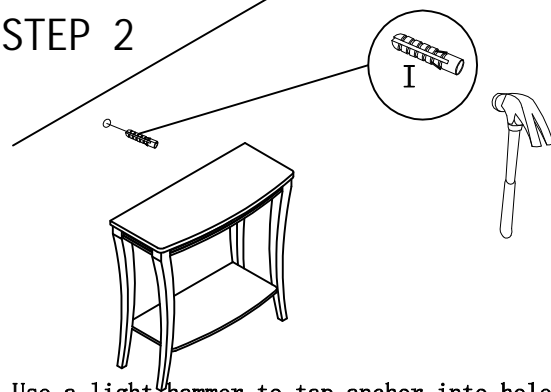
Note: Hardware included only compatible with standard drywalls.

STEP 1



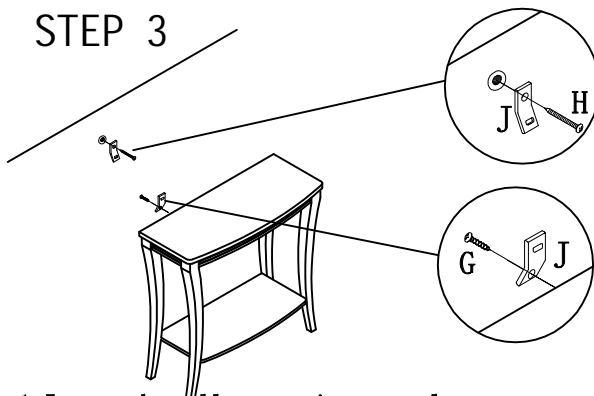
1. Find spot on wall 1" below top of item.
2. Using a drill bit slightly thinner than anchor, drill hole into drywall.

STEP 2



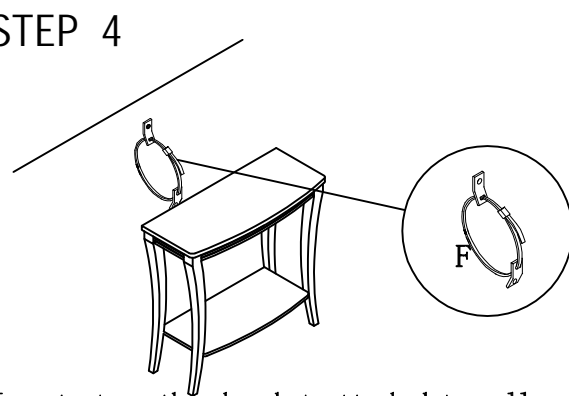
1. Use a light hammer to tap anchor into hole.
2. Anchor should fit snugly. If hole is too small, drill again to increase hole size. Do not force anchor into wall.

STEP 3



1. Insert drywall screw into metal bracket and into drywall anchor.
2. Insert flathead screw into second metal bracket and into back of item, along top edge.

STEP 4



1. Insert strap thru bracket attached to wall, then thru bracket on item, and into head of strap.
 2. pull lightly til strap stops.
- Assembly is complete.