

# ASSEMBLY INSTRUCTION

---

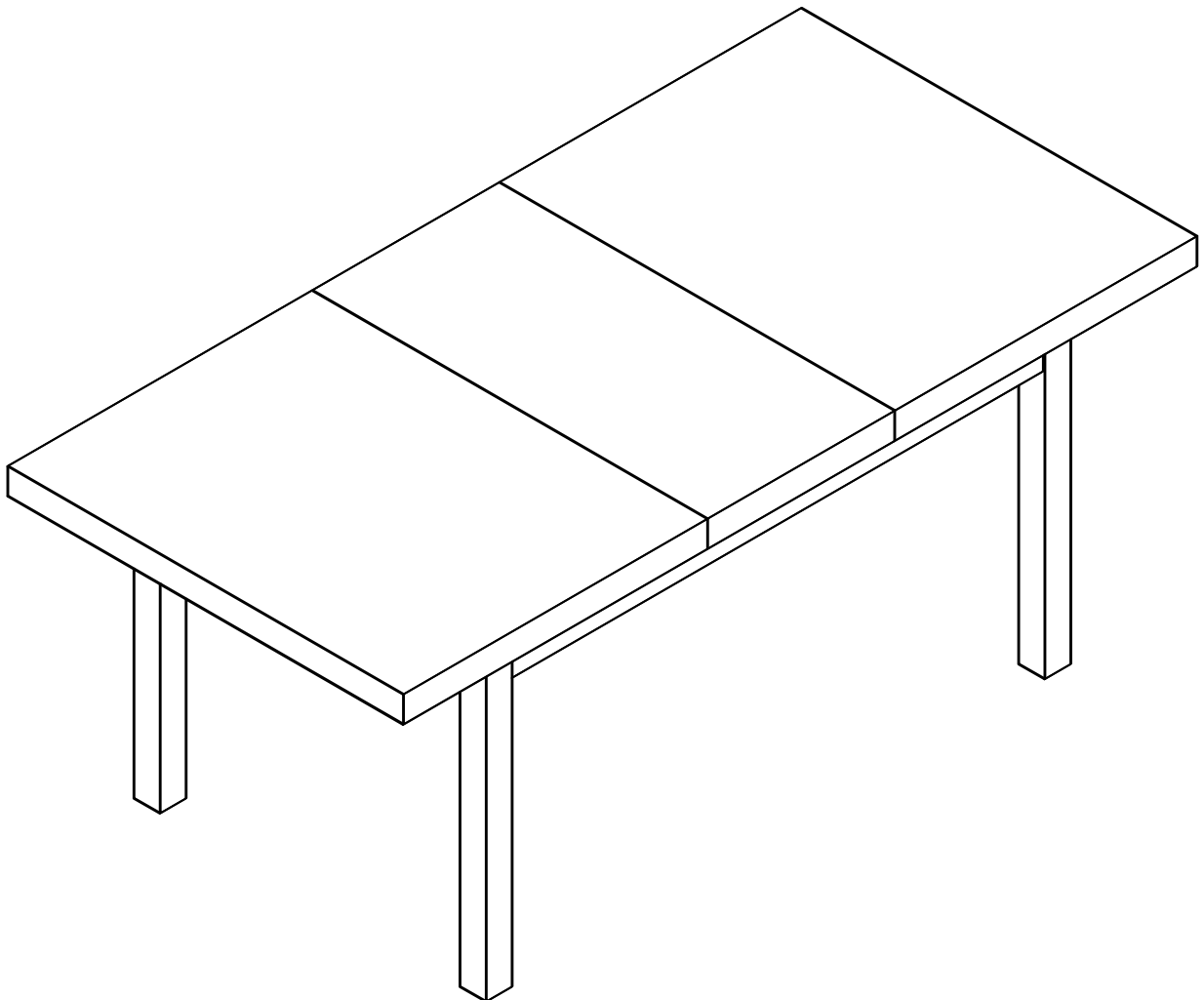
## **PLEASE READ BEFORE ASSEMBLING!**

Tip #1: Make sure you've taken all the pieces and hardware out of its packaging before discarding the box.

Tip #2: Using page 2 and/or page 3 of instruction manual make sure all pieces and hardware are accounted for.

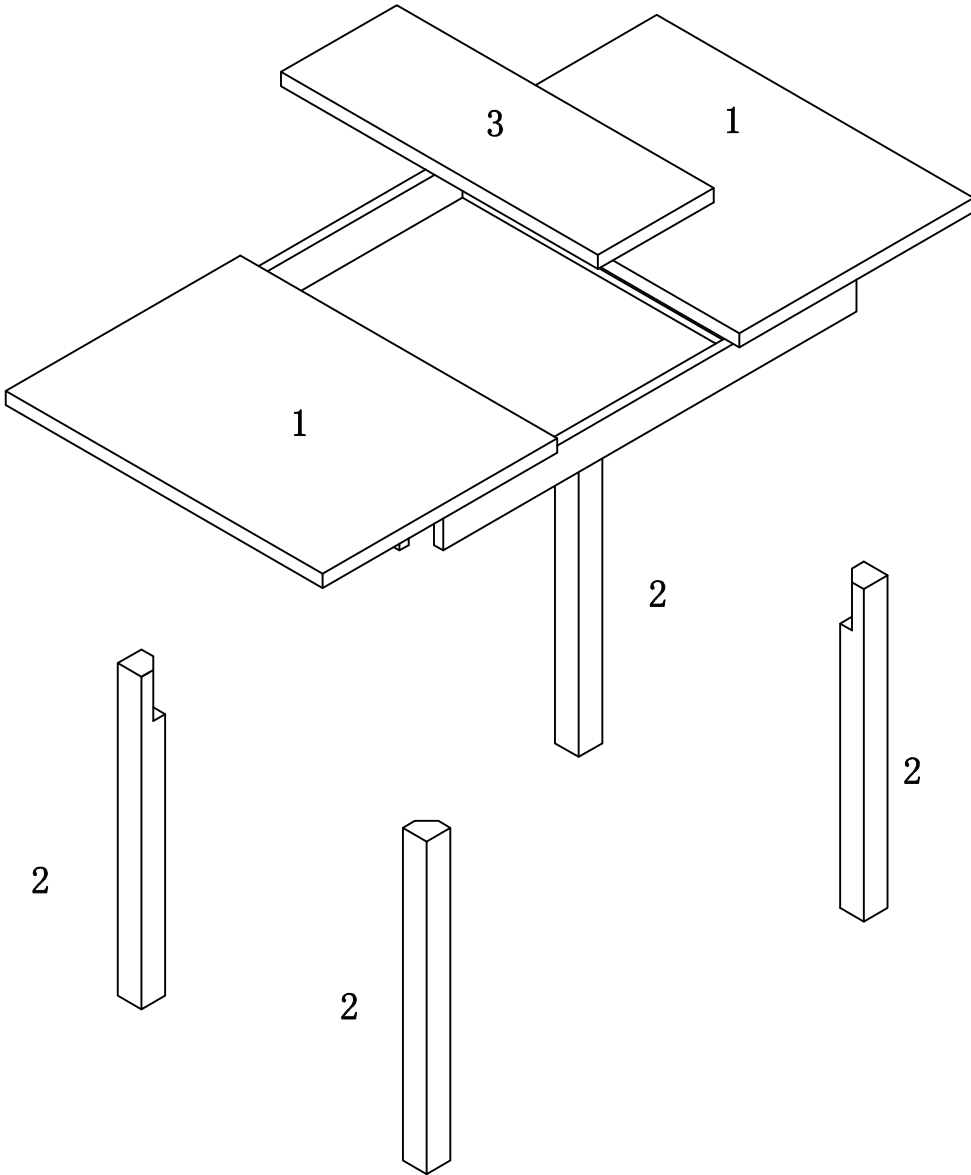
Tip #3: Read manual before assembling, it helps!

ITEM# 14002-WHT



# ASSEMBLY INSTRUCTION


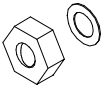

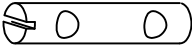


ITEM#:DT14002



- (1) 1pc
- (2) 2pcs

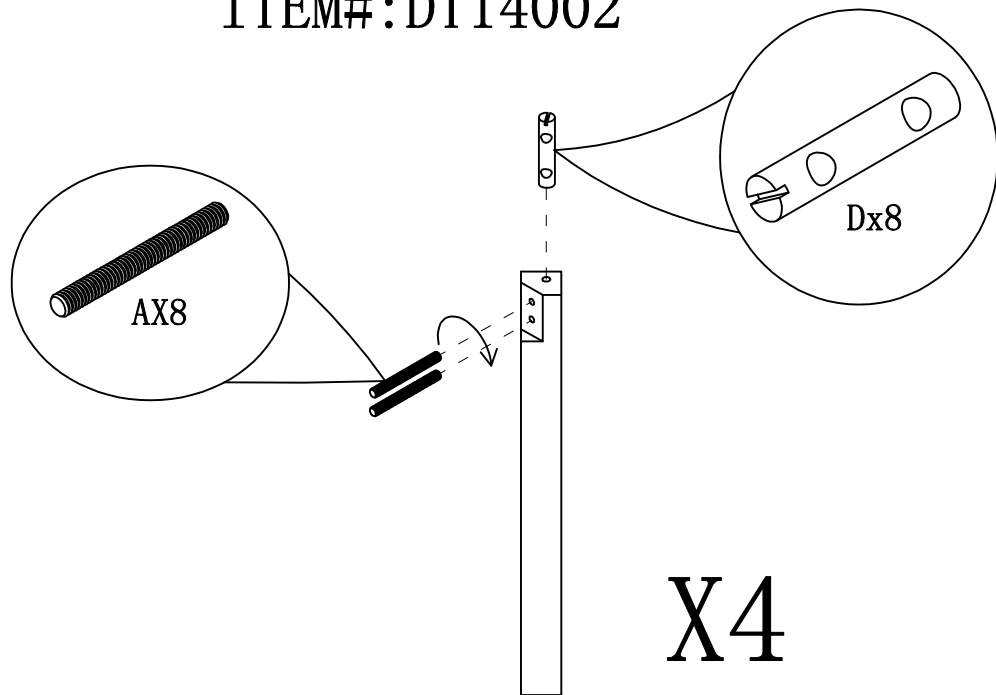
# HARDWARE IDENTIFICATION

ITEM#:DT14002

A		ø8X80	8pcs
B		M8	8pcs
C		M13	1pc
D		ø12X60	4pcs
E		ø25	4pcs
F		ø8x40 (BK)	4pcs

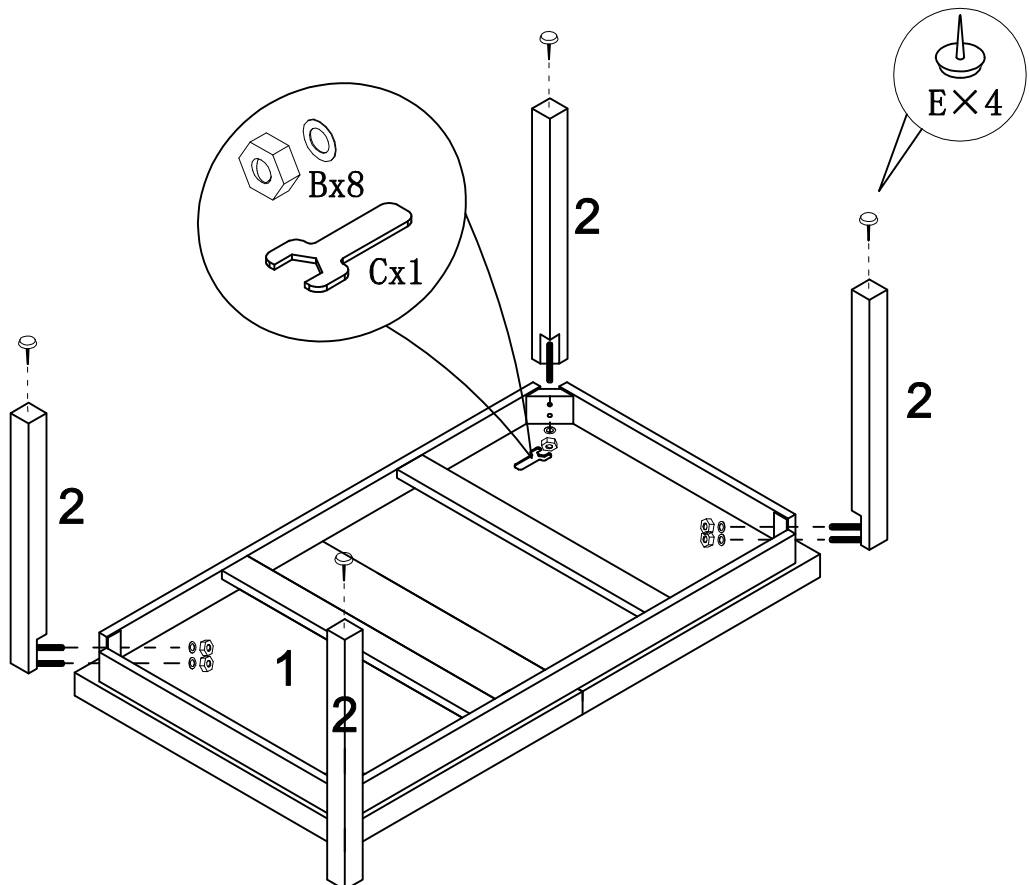
# ASSEMBLY INSTRUCTION

ITEM#:DT14002



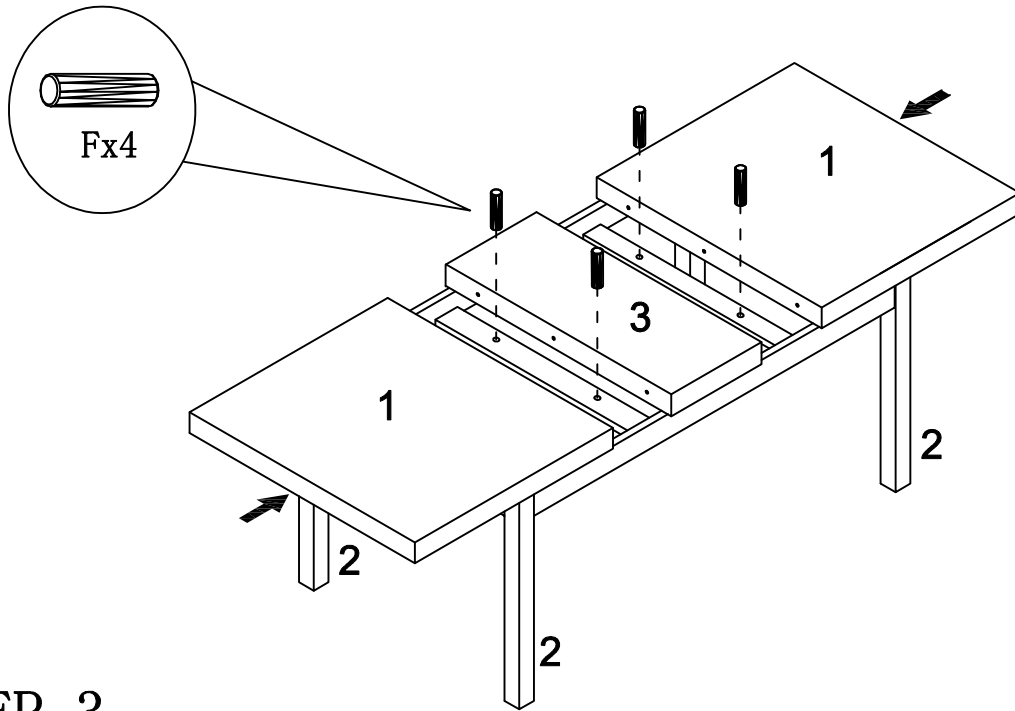
STEP 1

STEP 2



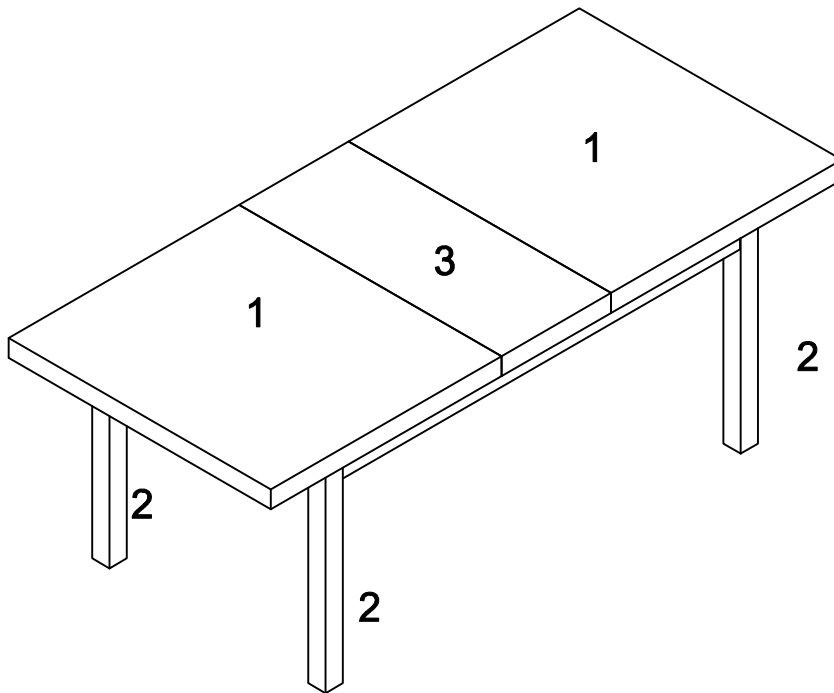
# ASSEMBLY INSTRUCTION

ITEM#:DT14002



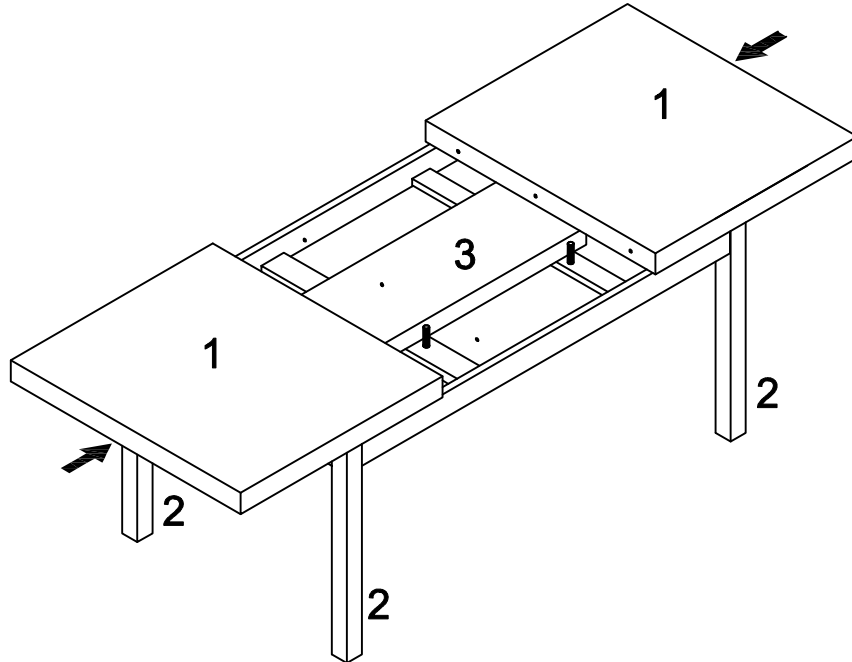
STEP 3

STEP 4



# ASSEMBLY INSTRUCTION

ITEM#:DT14002



STEP 5

STEP 6

