

# ASSEMBLY INSTRUCTION

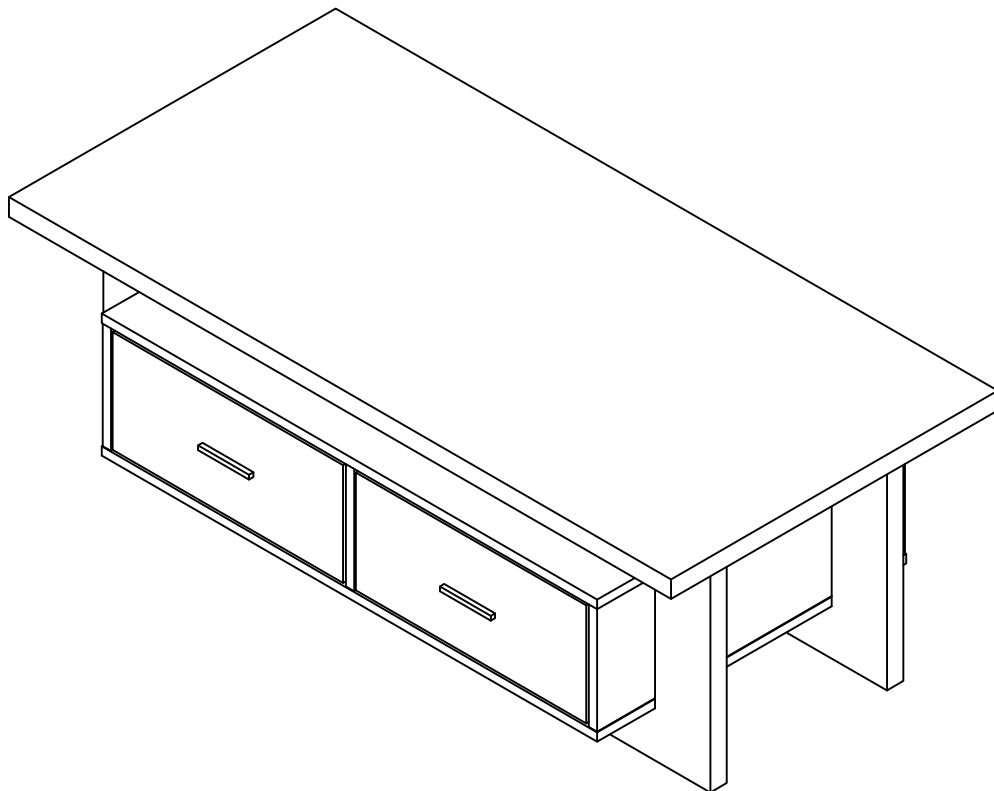
## **PLEASE READ BEFORE ASSEMBLING!**

Tip #1: Make sure you've taken all the pieces and hardware out of its packaging before discarding the box.

Tip #2: Using page 2 and/or page 3 of instruction manual make sure all pieces and hardware are accounted for.

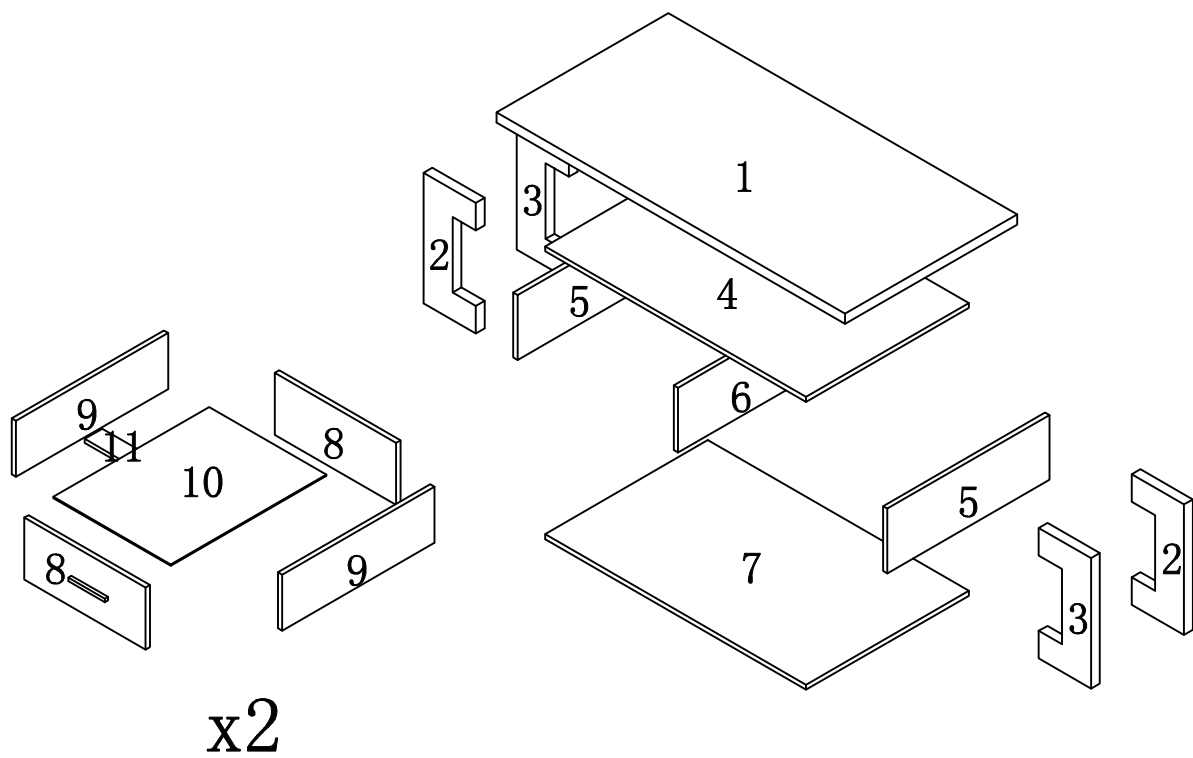
Tip #3: Read manual before assembling, it helps!

ITEM#: 151024CT



# ASSEMBLY INSTRUCTION

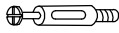









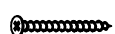





ITEM#: 151024CT



(1)	1pc	(7)	1pc
(2)	2pcs	(8)	4pcs
(3)	2pcs	(9)	4pcs
(4)	1pc	(10)	2pcs
(5)	2pcs	(11)	2pcs
(6)	1pc		

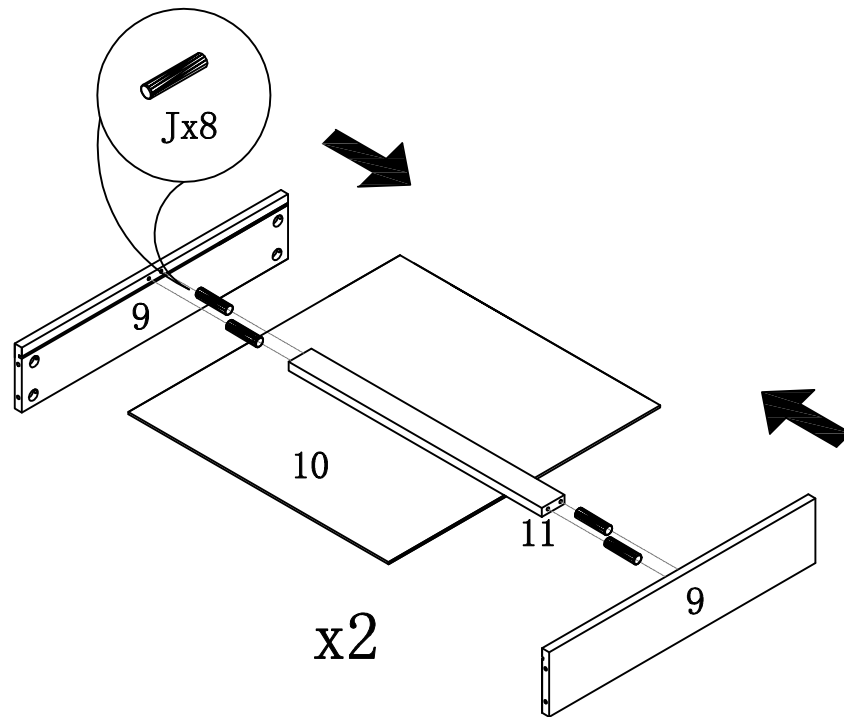
# HARDWARE IDENTIFICATION

ITEM#: 151024CT

A		L29	14pcs
B		ET15	8pcs
C		CAMLOCK ET15	6pcs
D		ø4x35	6pcs
E		φ 8x25	14pcs
F		L20	16pcs
G		ET12	16pcs
H		#64	4pcs
I		M4X22	8pcs
J		φ 6x30	8pcs
K		φ 4x40	8pcs
L		φ 4x16	2pcs
M		80x25x82H	1pc
N		ø20	8pcs
O		ø16	8pcs
P		Glue: For securing please apply to wood dowel first before inserting into panel	1pc

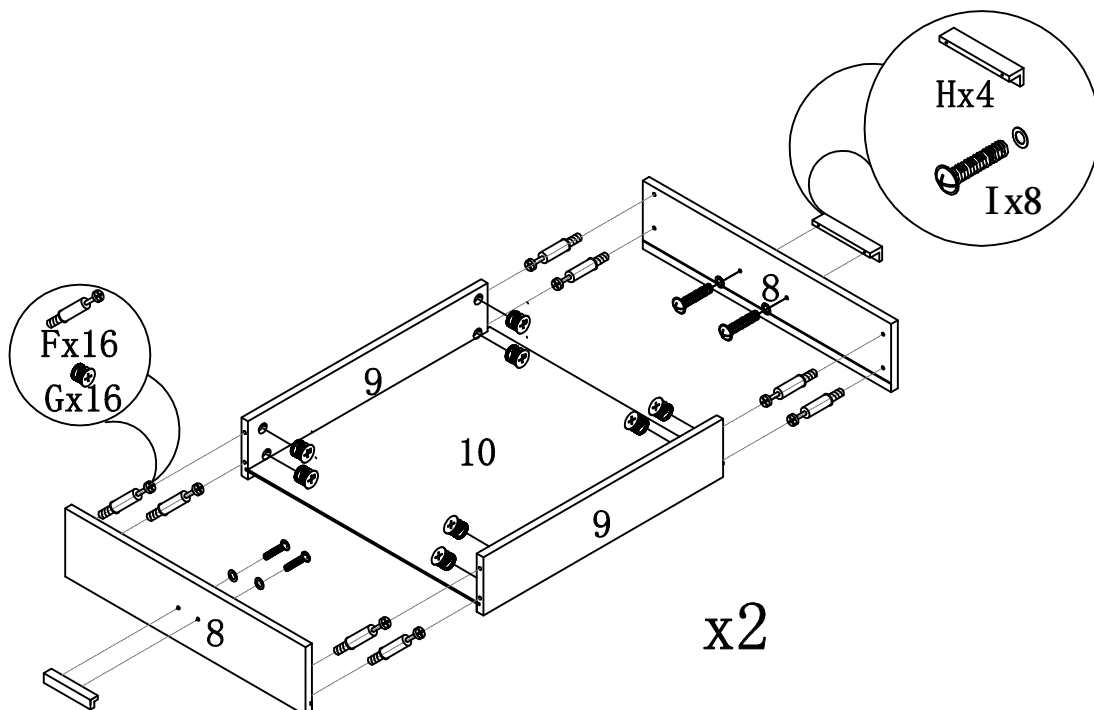
# ASSEMBLY INSTRUCTION

ITEM#: 151024CT



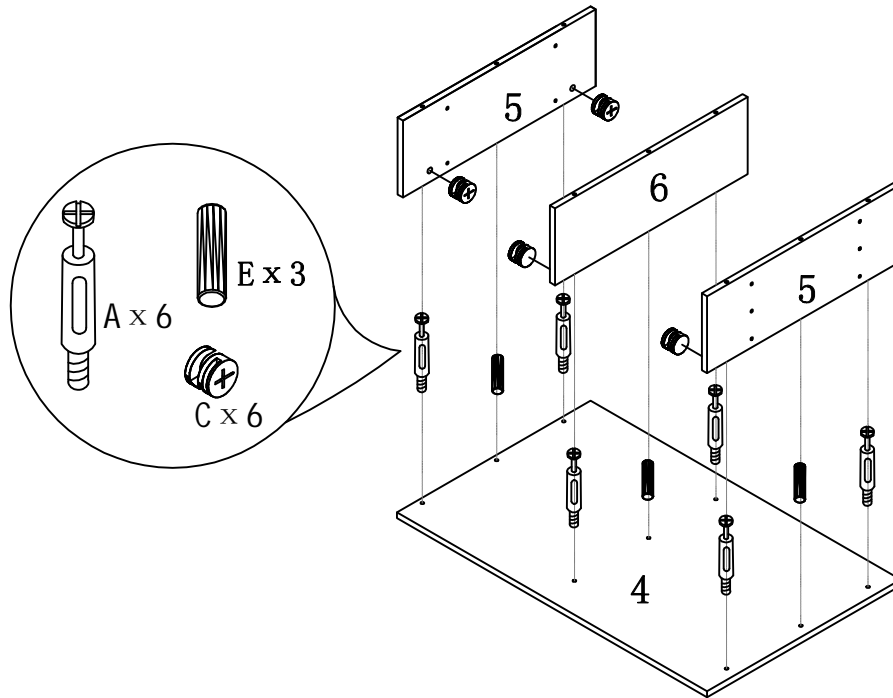
STEP 1

STEP 2



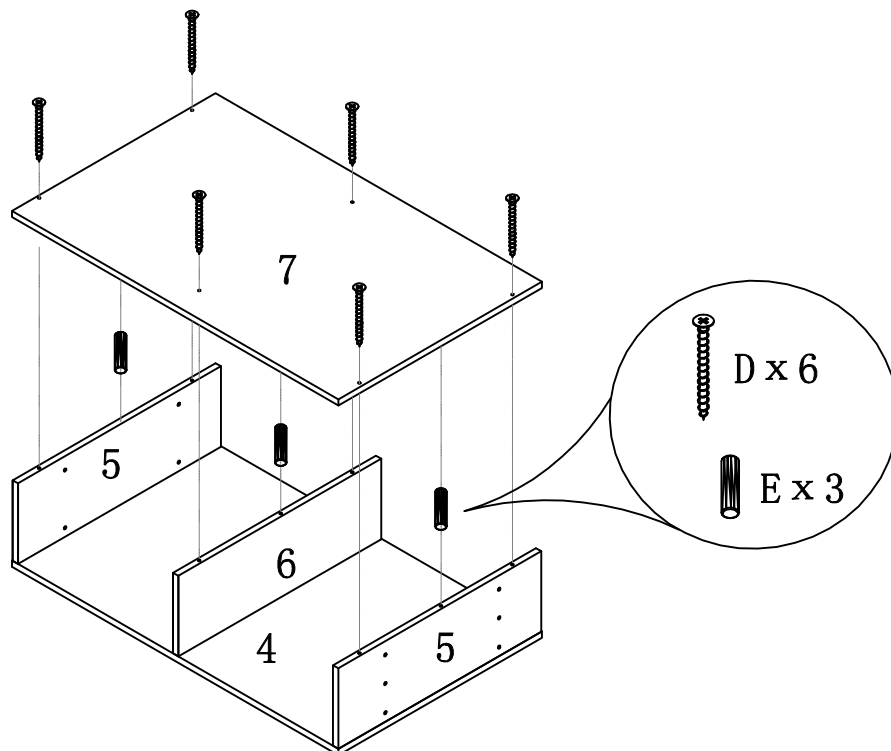
# ASSEMBLY INSTRUCTION

ITEM#: 151024CT



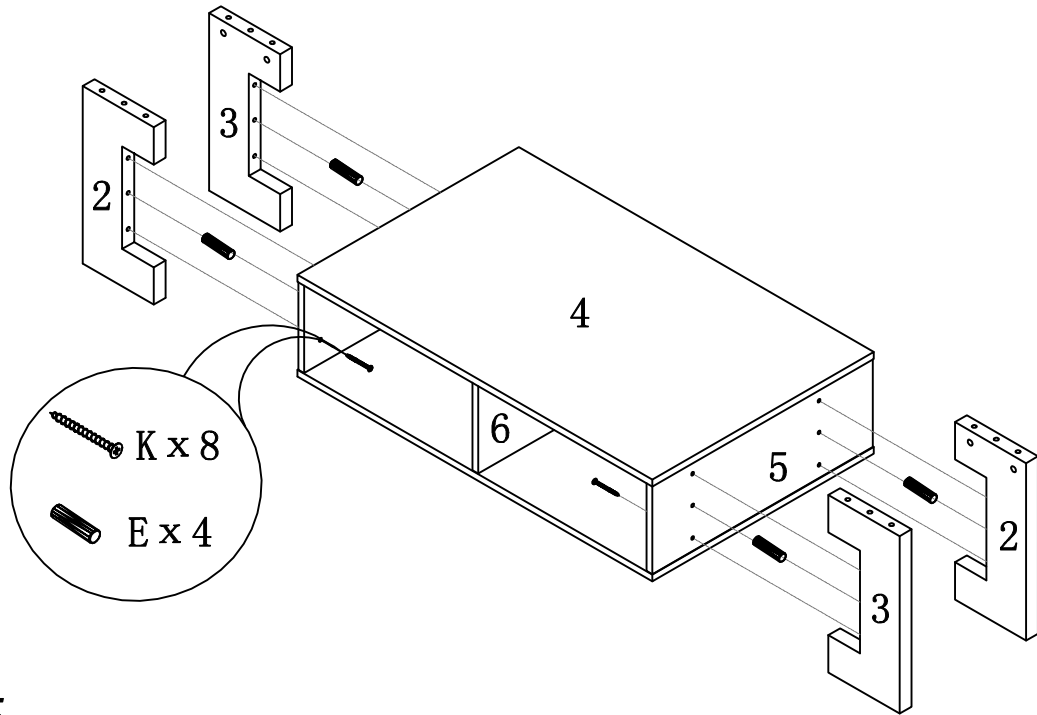
STEP 3

STEP 4



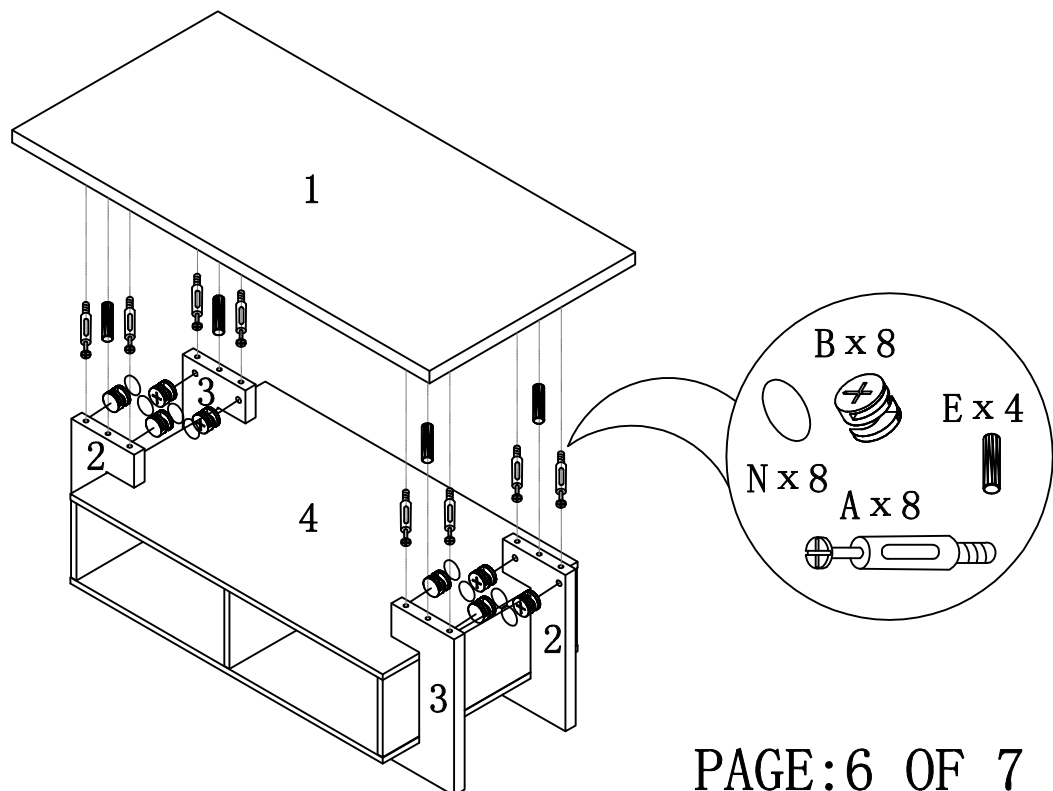
# ASSEMBLY INSTRUCTION

ITEM#: 151024CT



STEP 5

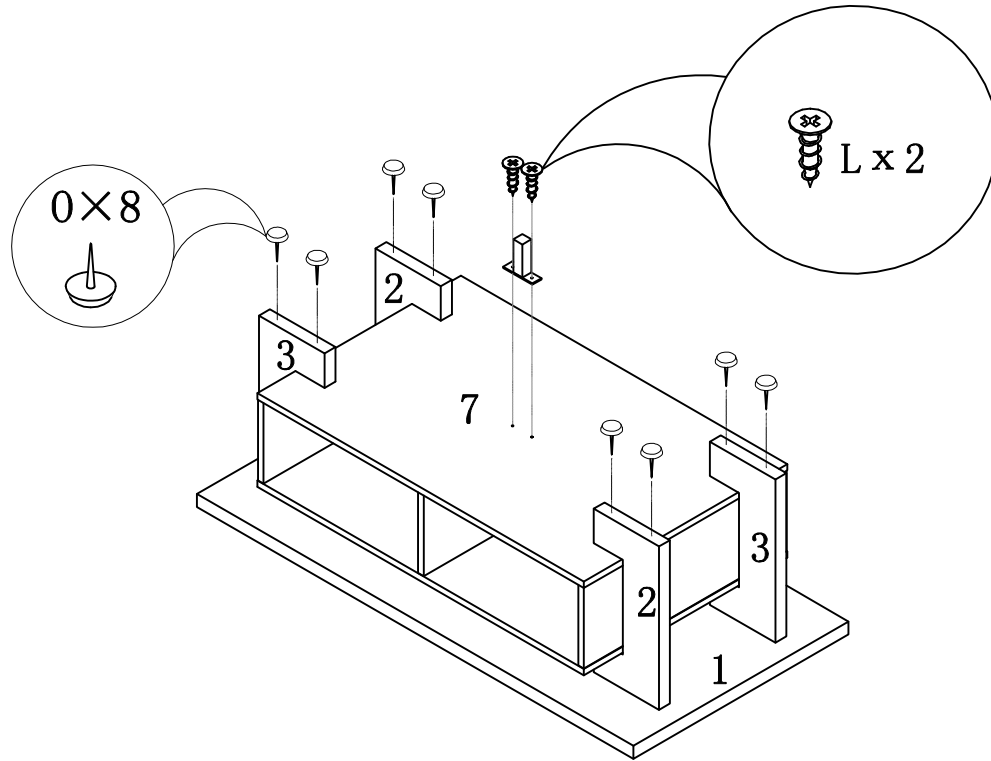
STEP 6



PAGE: 6 OF 7

# ASSEMBLY INSTRUCTION

ITEM#: 151024CT



STEP7

STEP8

