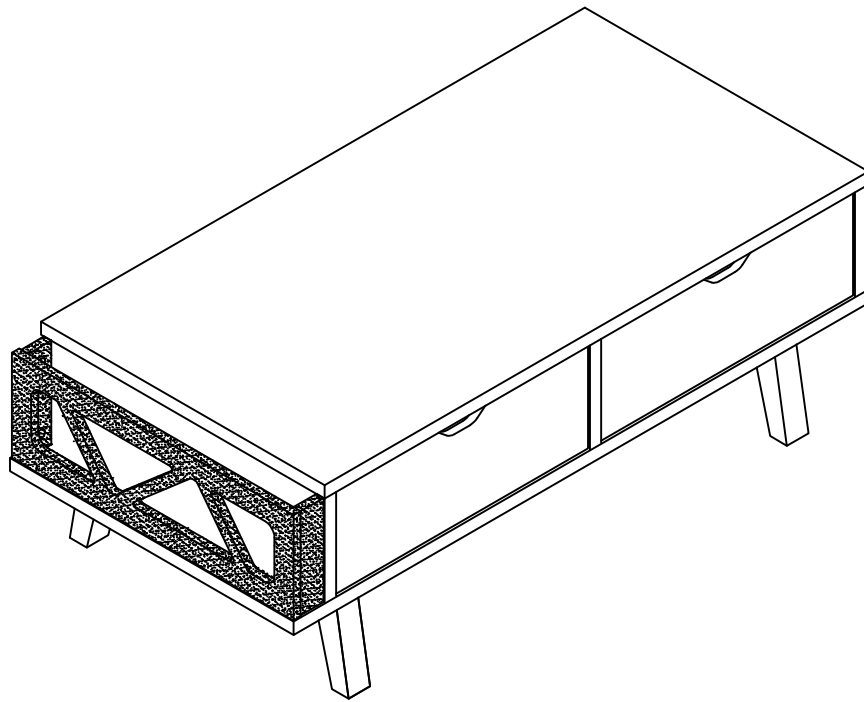


ASSEMBLY INSTRUCTION

ITEM# 151344CT 192485CT



ASSEMBLY INSTRUCTION

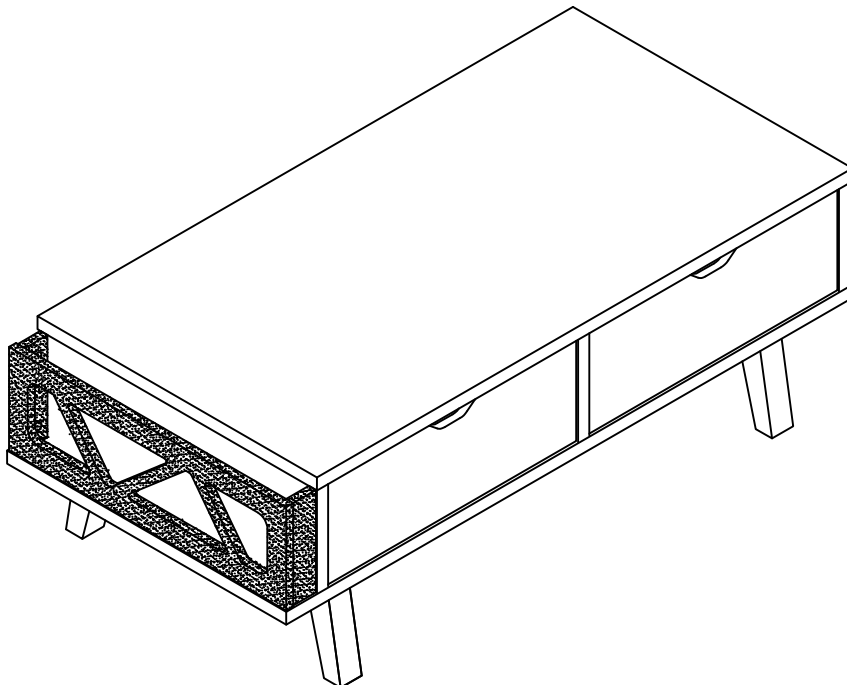
PLEASE READ BEFORE ASSEMBLING!

Tip #1: Make sure you've taken all the pieces and hardware out of its packaging before discarding the box.

Tip #2: Using page 2 and/or page 3 of instruction manual make sure all pieces and hardware are accounted for.

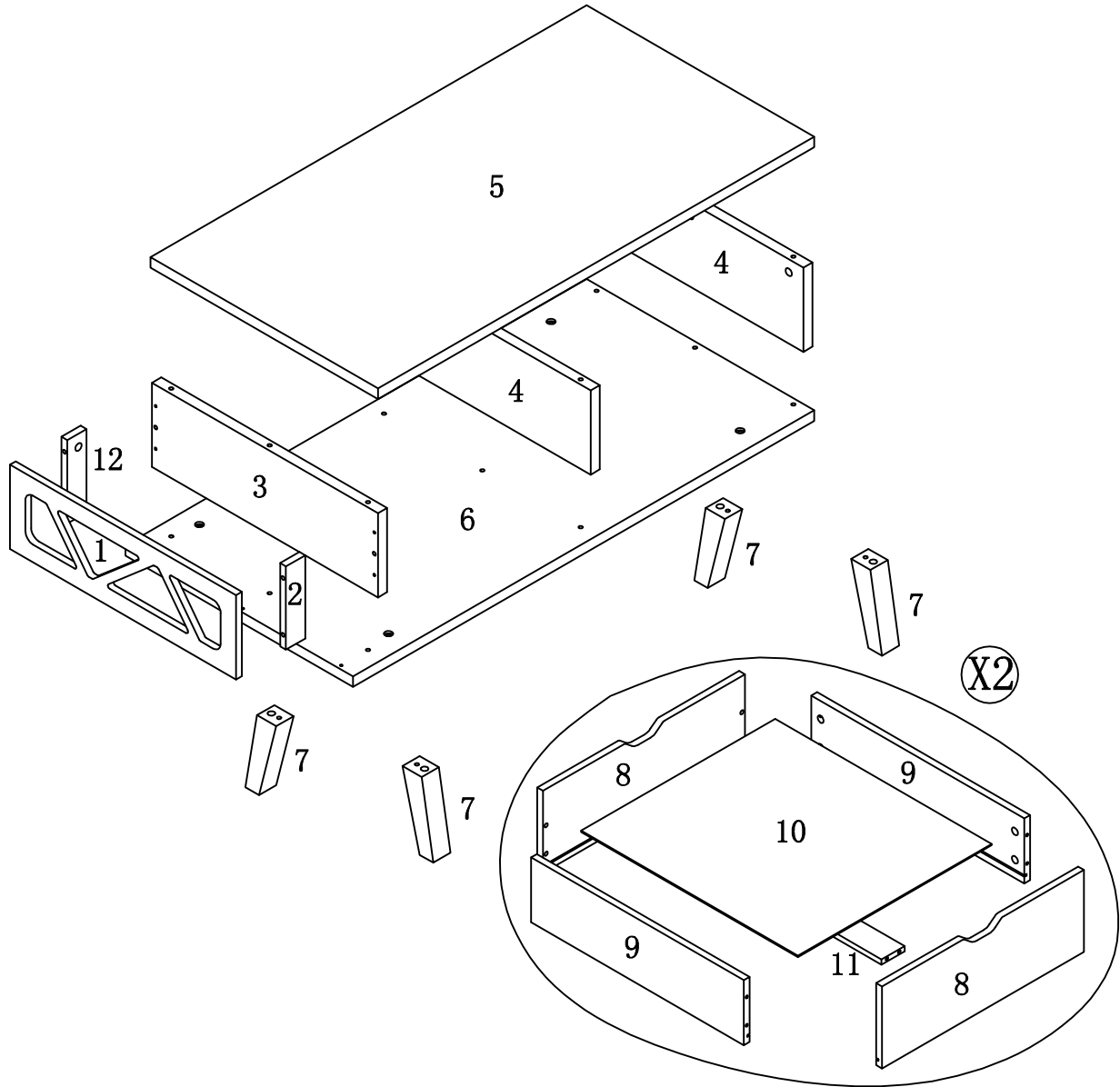
Tip #3: Read manual before assembling, it helps!

ITEM#: 151344CT



PARTS IDENTIFICATION

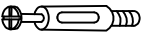

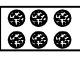

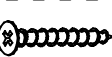
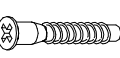



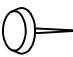
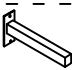
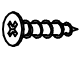

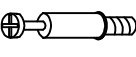

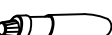
ITEM#: 151344CT



(1)	1pc	(8)	4pcs
(2)	1pc	(9)	4pcs
(3)	1pc	(10)	2pc
(4)	2pcs	(11)	2pc
(5)	1pc	(12)	1pc
(6)	1pc		
(7)	4pcs		

HARDWARE IDENTIFICATION

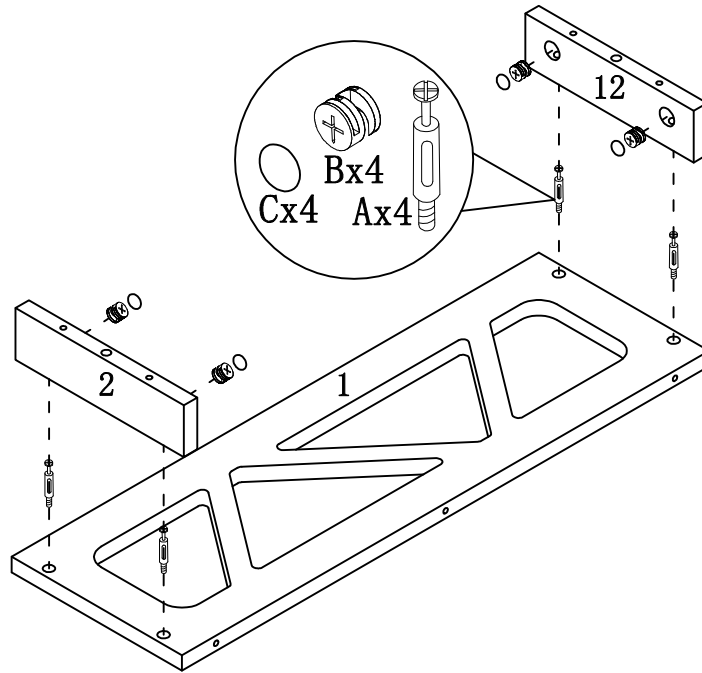
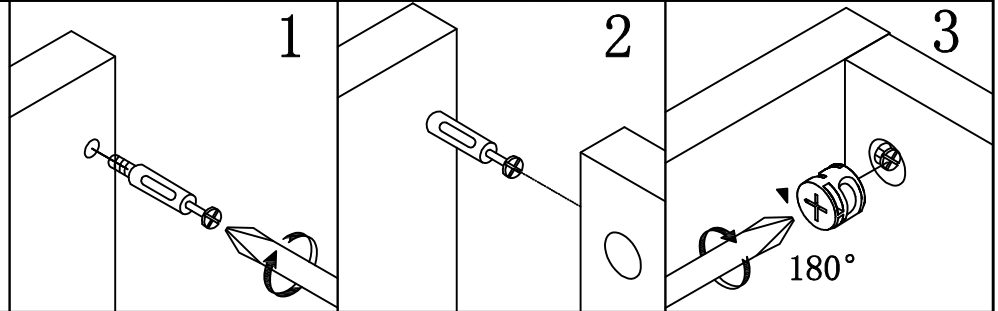
ITEM#: 151344CT

A		L29	10pcs
B		Ø15	10pcs
C		Ø20 (BK)	4pcs
D		Ø8x25	13pcs
E		Ø4x40	6pcs
F		M7x48	6pcs
G		Ø8xØ16x2	10pcs
H		M8x35	4pcs
I		M5	1pc
J		Ø16	4pcs
K		80x25x181	1pc
L		Ø4x16	2pcs
M		Ø12	16pcs
N		L20	16pcs
O		Ø6x30	8pcs
P		Glue: For securing please apply to wood dowel first before inserting into panel	1pc

ASSEMBLY INSTRUCTION

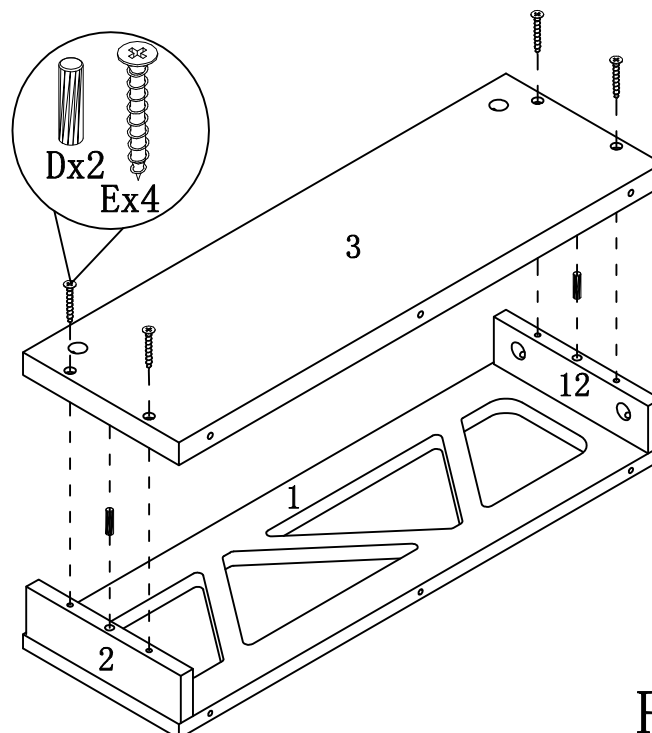
ITEM#: 151344CT

HOW TO



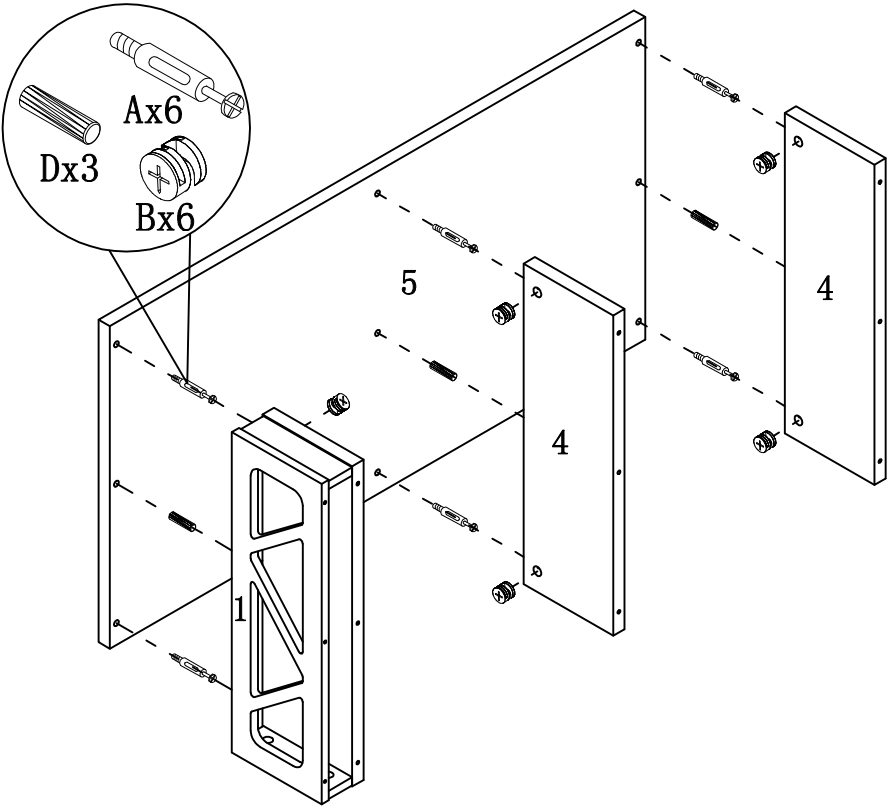
STEP 1

STEP 2



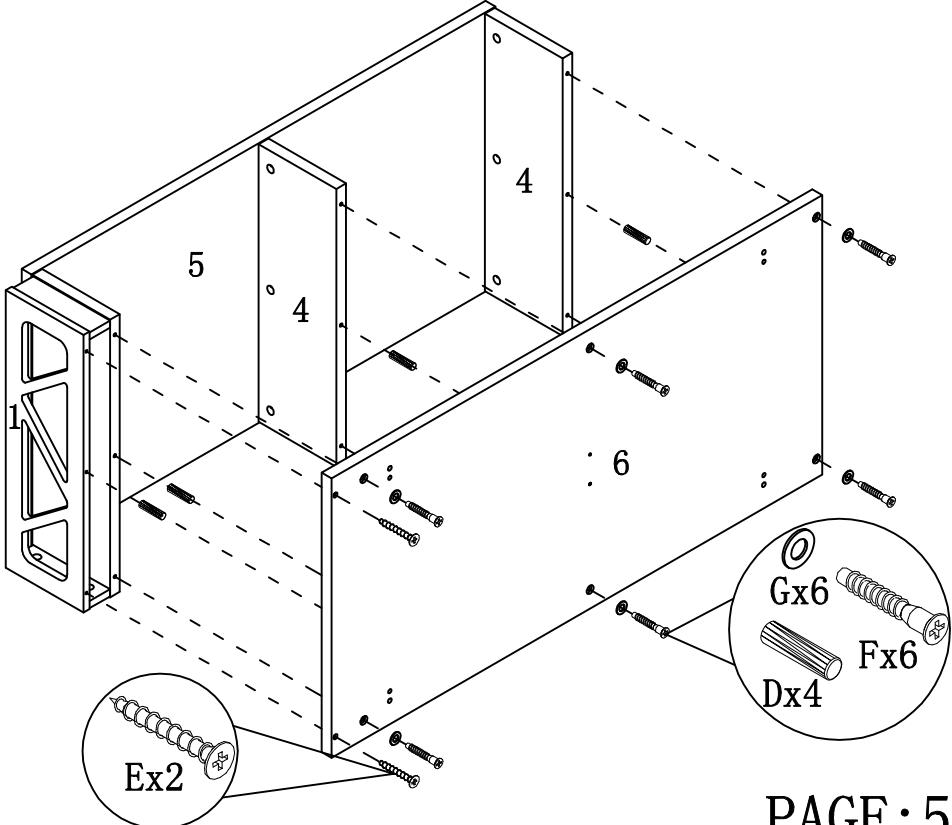
ASSEMBLY INSTRUCTION

ITEM#: 151344CT



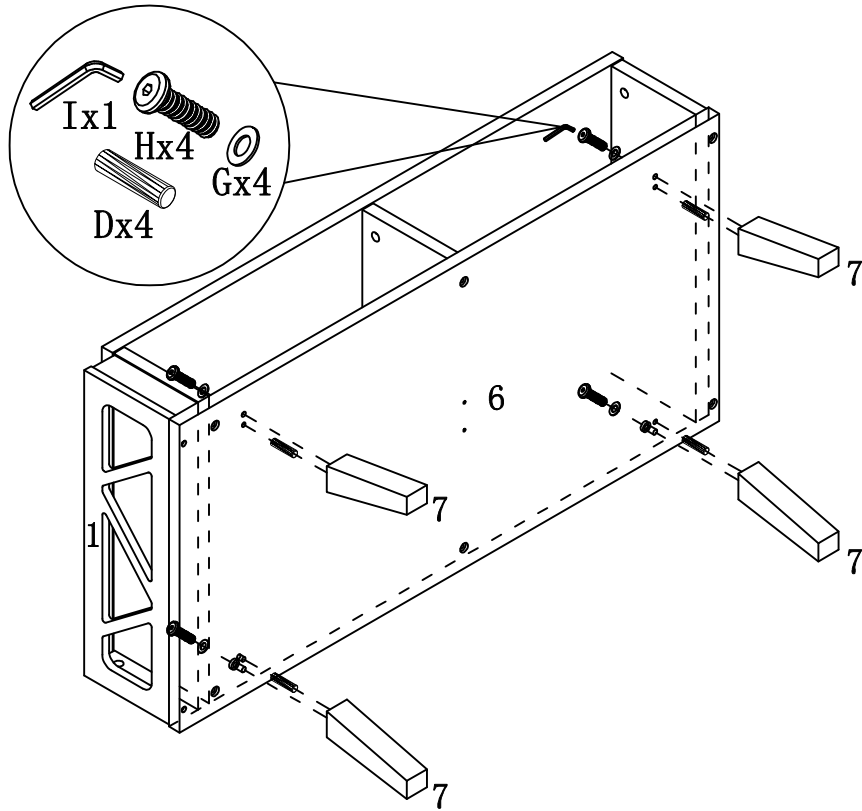
STEP3

STEP4



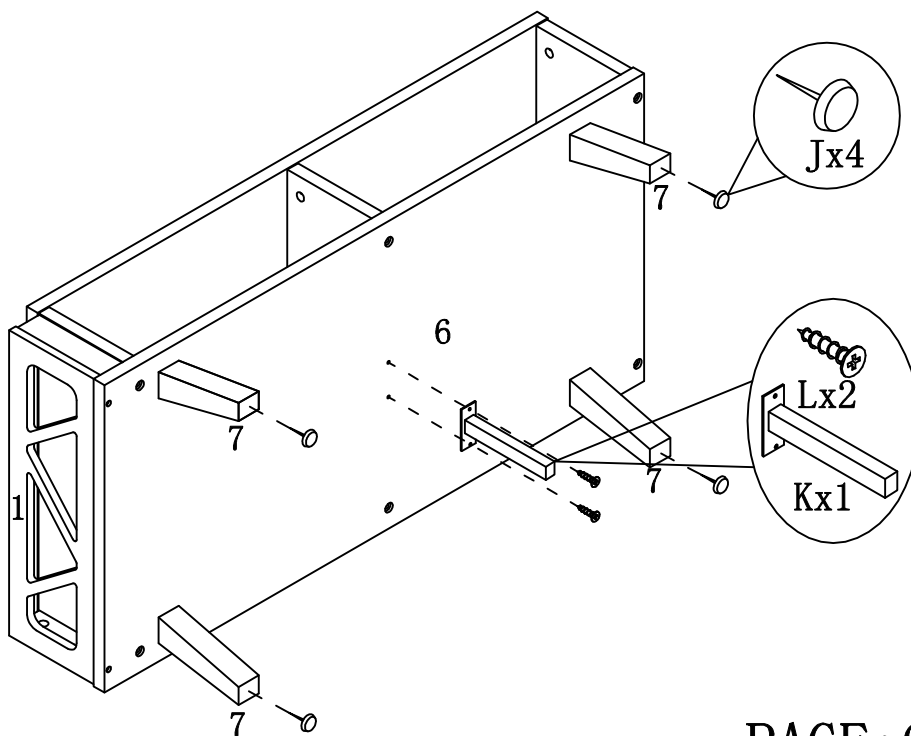
ASSEMBLY INSTRUCTION

ITEM#: 151344CT



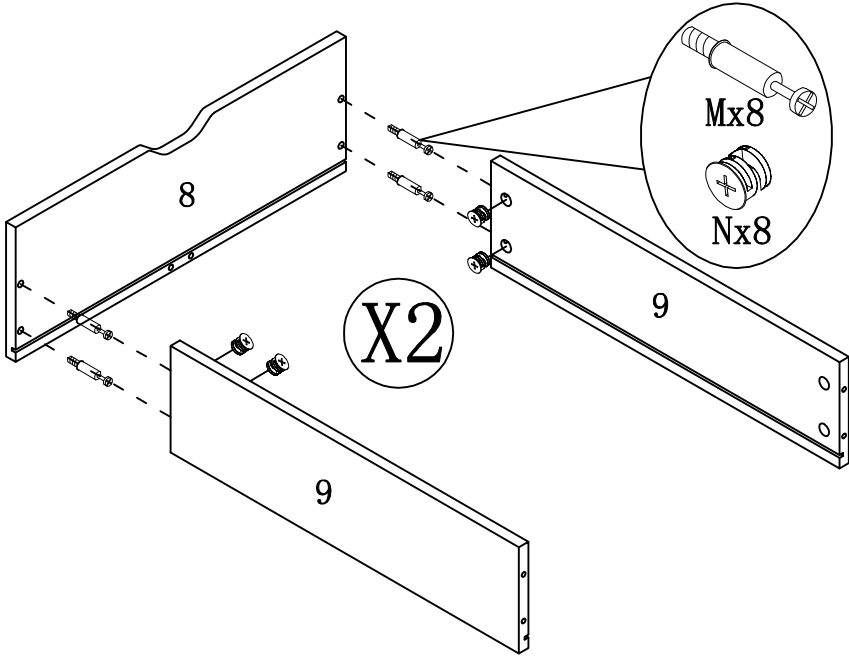
STEP5

STEP6



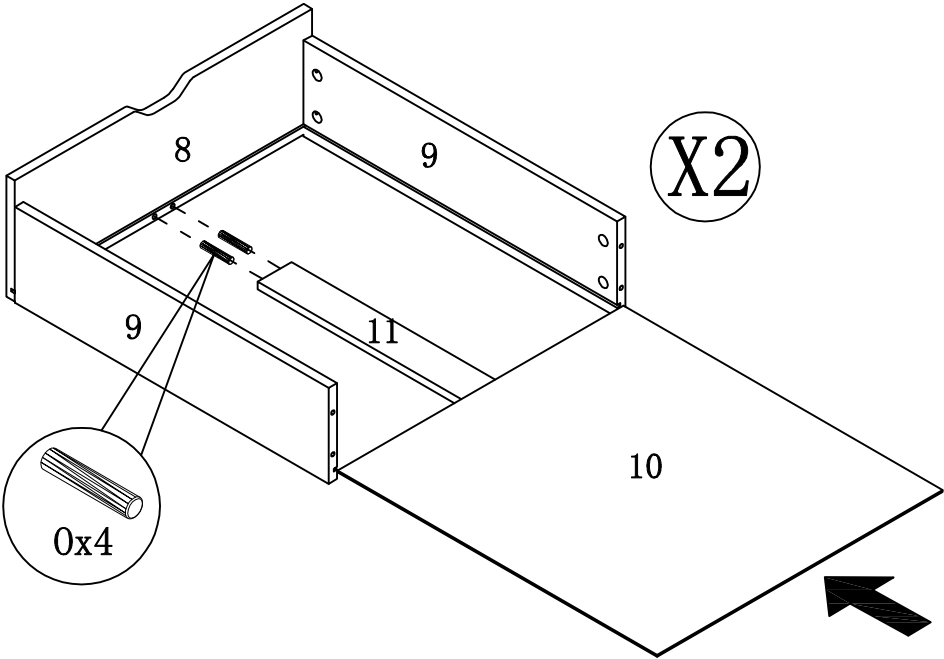
ASSEMBLY INSTRUCTION

ITEM#: 151344CT



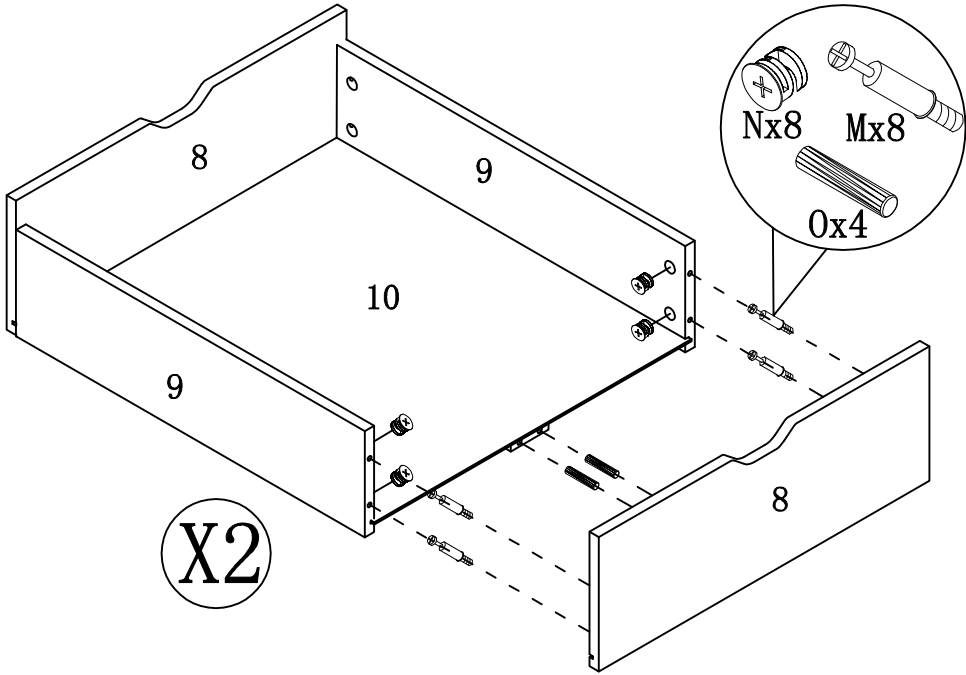
STEP 7

STEP 8



ASSEMBLY INSTRUCTION

ITEM#: 151344CT



STEP9

STEP10

