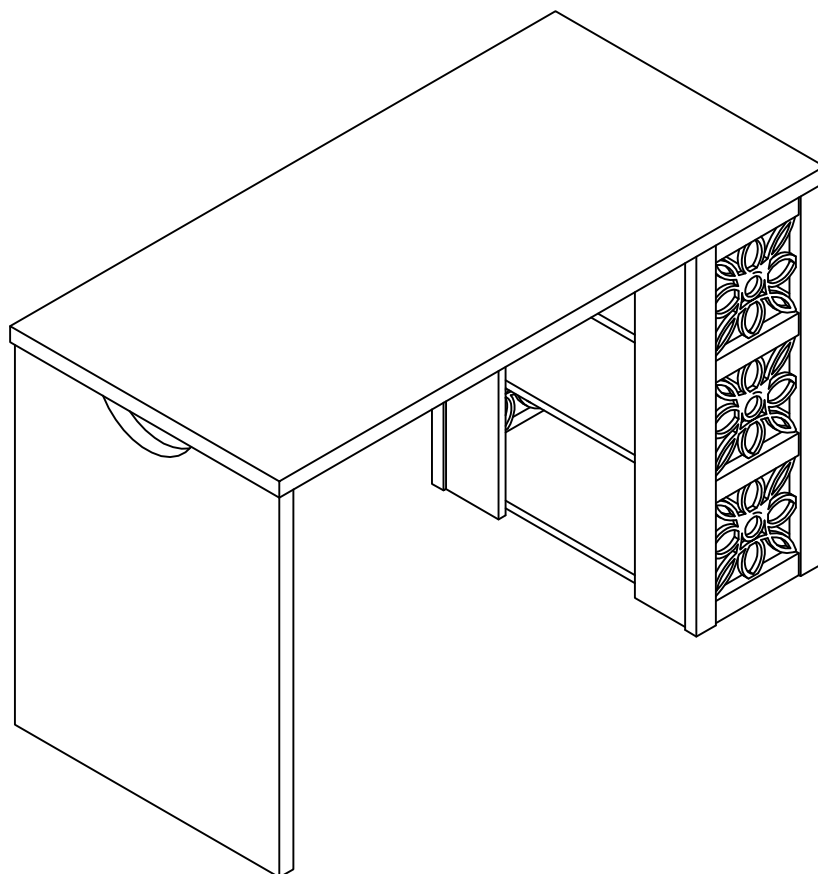


ASSEMBLY INSTRUCTION

ITEM#: 151415



ASSEMBLY INSTRUCTION

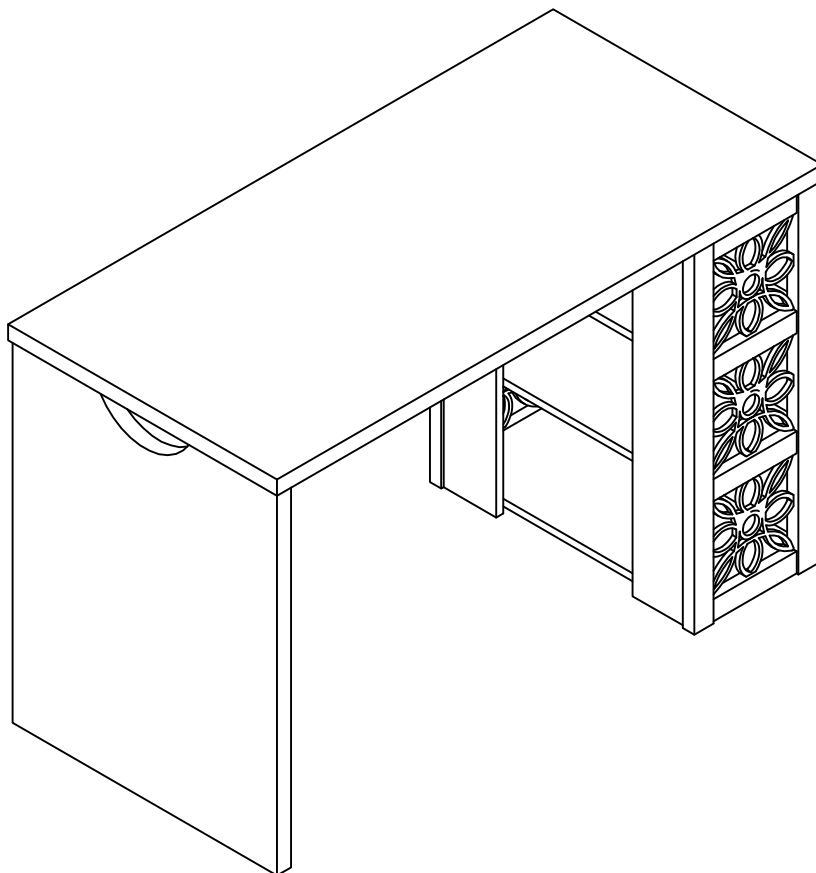
PLEASE READ BEFORE ASSEMBLING!

Tip #1: Make sure you've taken all the pieces and hardware out of its packaging before discarding the box.

Tip #2: Using page 2 and/or page 3 of instruction manual make sure all pieces and hardware are accounted for.

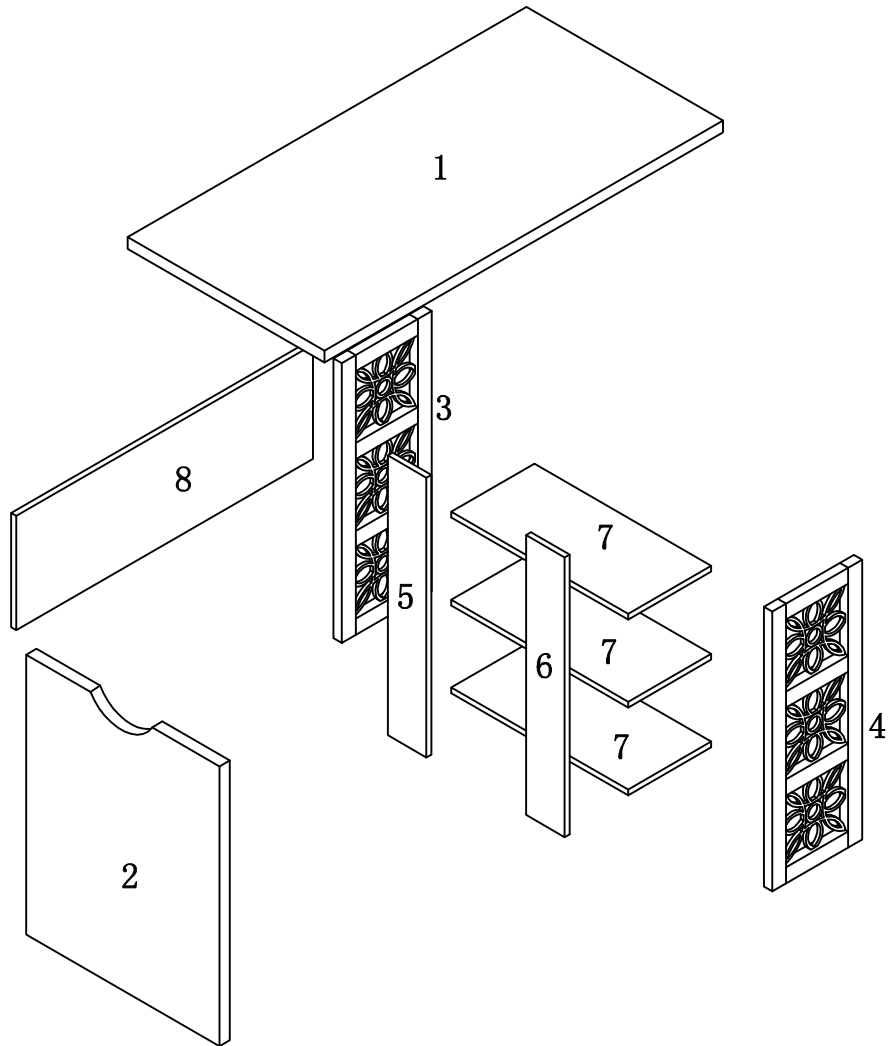
Tip #3: Read manual before assembling, it helps!

ITEM#: 151415



PARTS IDENTIFICATION

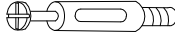


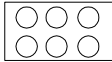
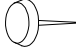



ITEM#: 151415



(1)	1pc	(5)	1pc
(2)	1pc	(6)	1pc
(3)	1pc	(7)	3pcs
(4)	1pc	(8)	1pc

HARDWARE IDENTIFICATION

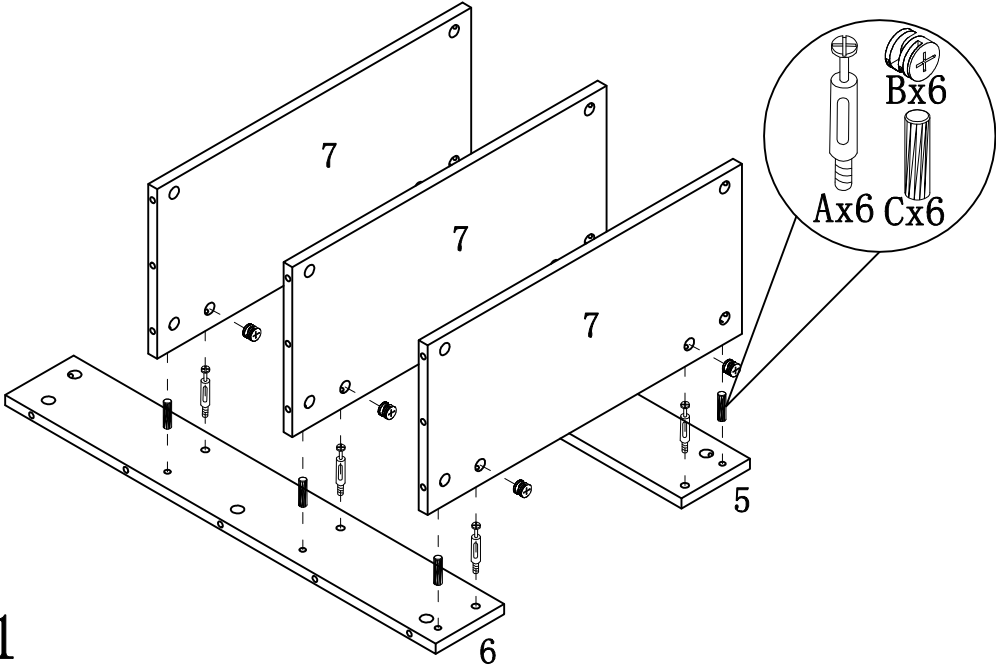
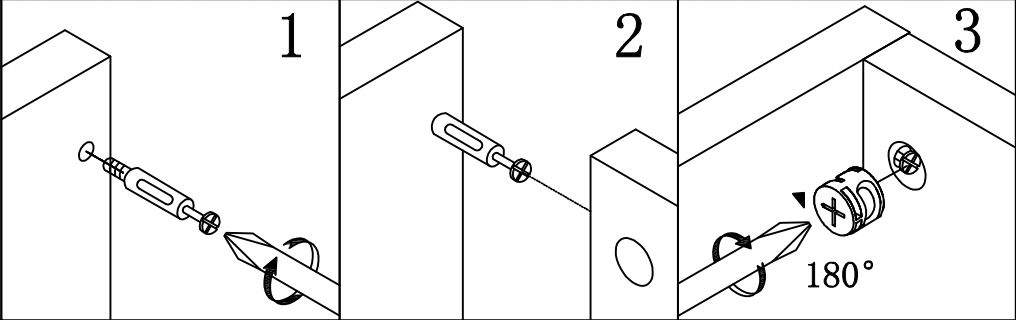
ITEM#: 151415

A		L29	35pcs
B		Ø15	35pcs
C		Ø8x25	28pcs
D		Ø20	21pcs
E		Ø16	8pcs
F		L24	4pcs
G		Ø12	4pcs
H		Glue: For securing please apply to wood dowel first before inserting into panel	1pc

ASSEMBLY INSTRUCTION

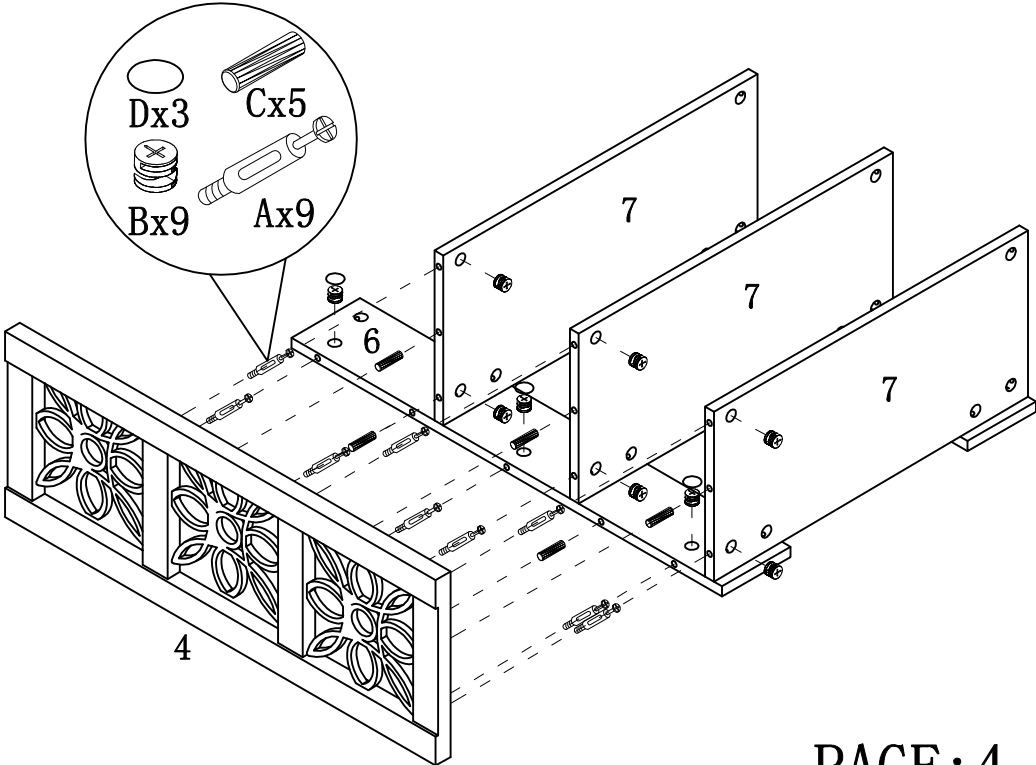
ITEM#: 151415

HOW TO



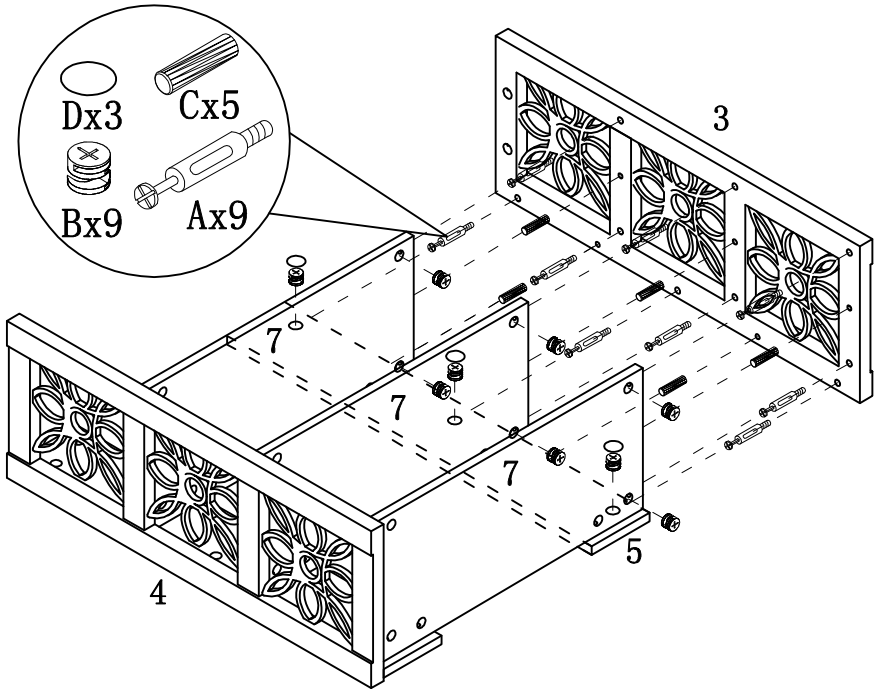
STEP 1

STEP 2



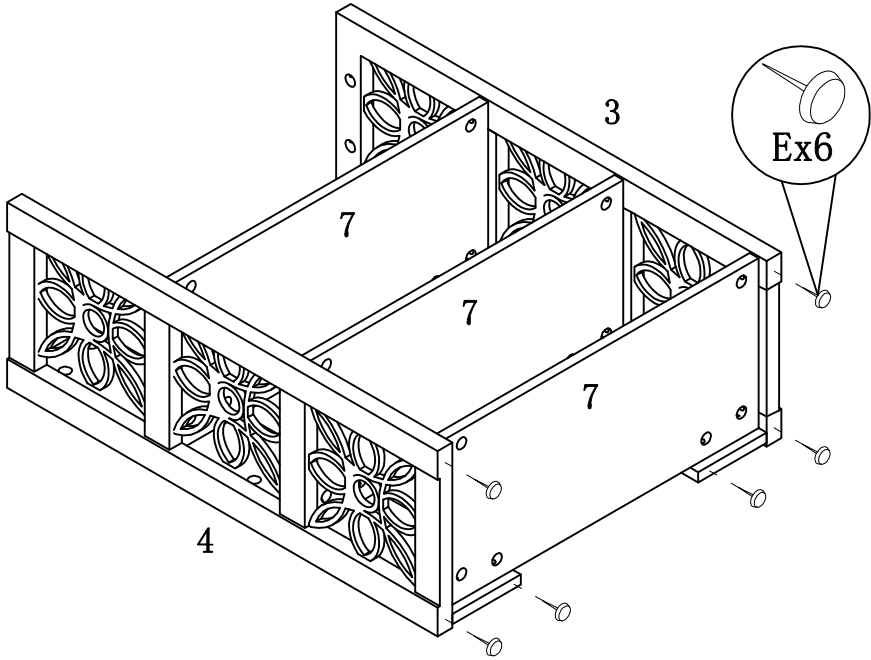
ASSEMBLY INSTRUCTION

ITEM#: 151415



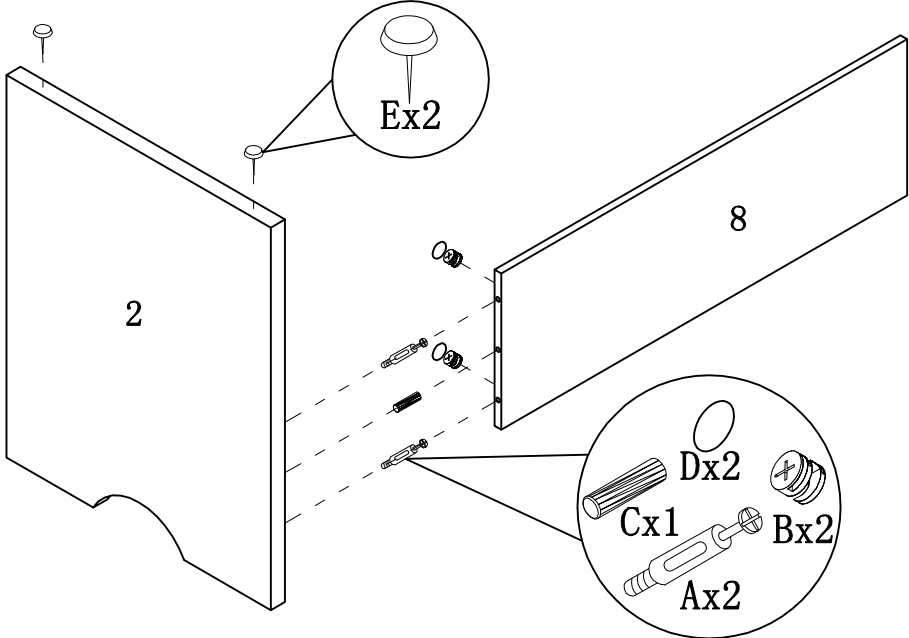
STEP3

STEP4



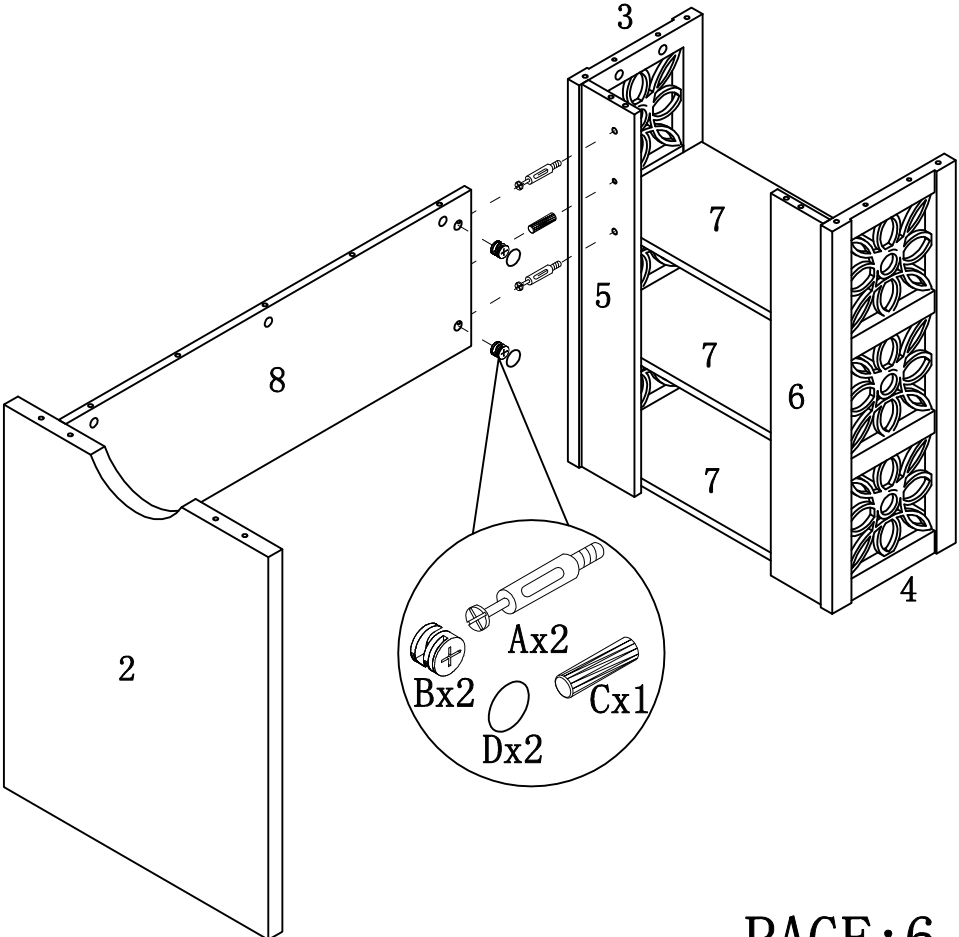
ASSEMBLY INSTRUCTION

ITEM#: 151415



STEP5

STEP6



ASSEMBLY INSTRUCTION

ITEM#: 151415

STEP 7

