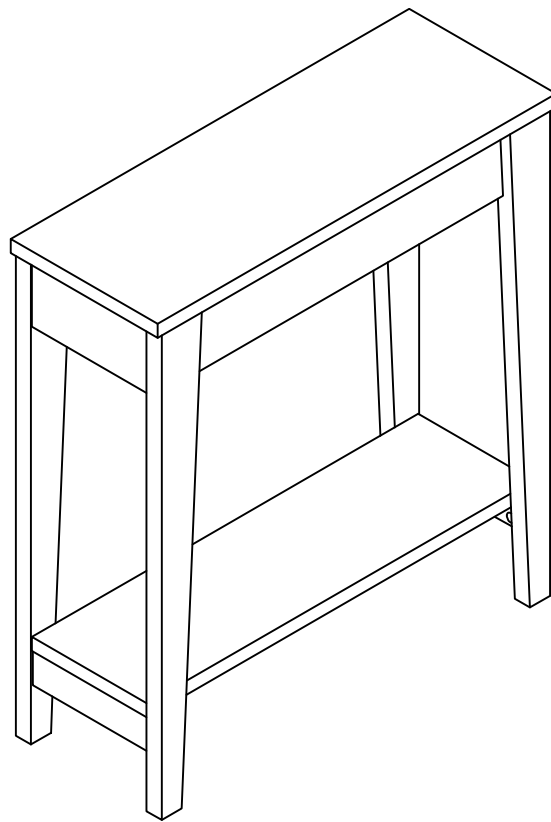


ASSEMBLY INSTRUCTION

ITEM#: 161619



ASSEMBLY INSTRUCTION

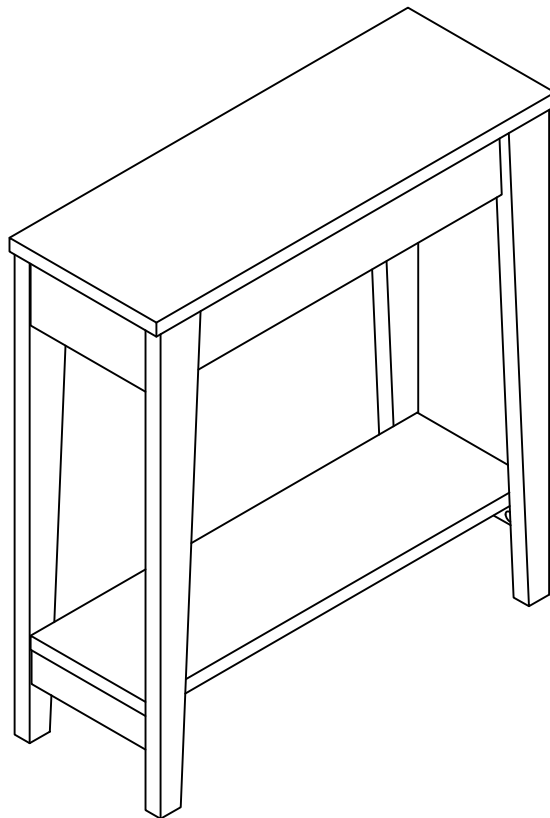
PLEASE READ BEFORE ASSEMBLING!

Tip #1: Make sure you've taken all the pieces and hardware out of its packaging before discarding the box.

Tip #2: Using page 2 and/or page 3 of instruction manual make sure all pieces and hardware are accounted for.

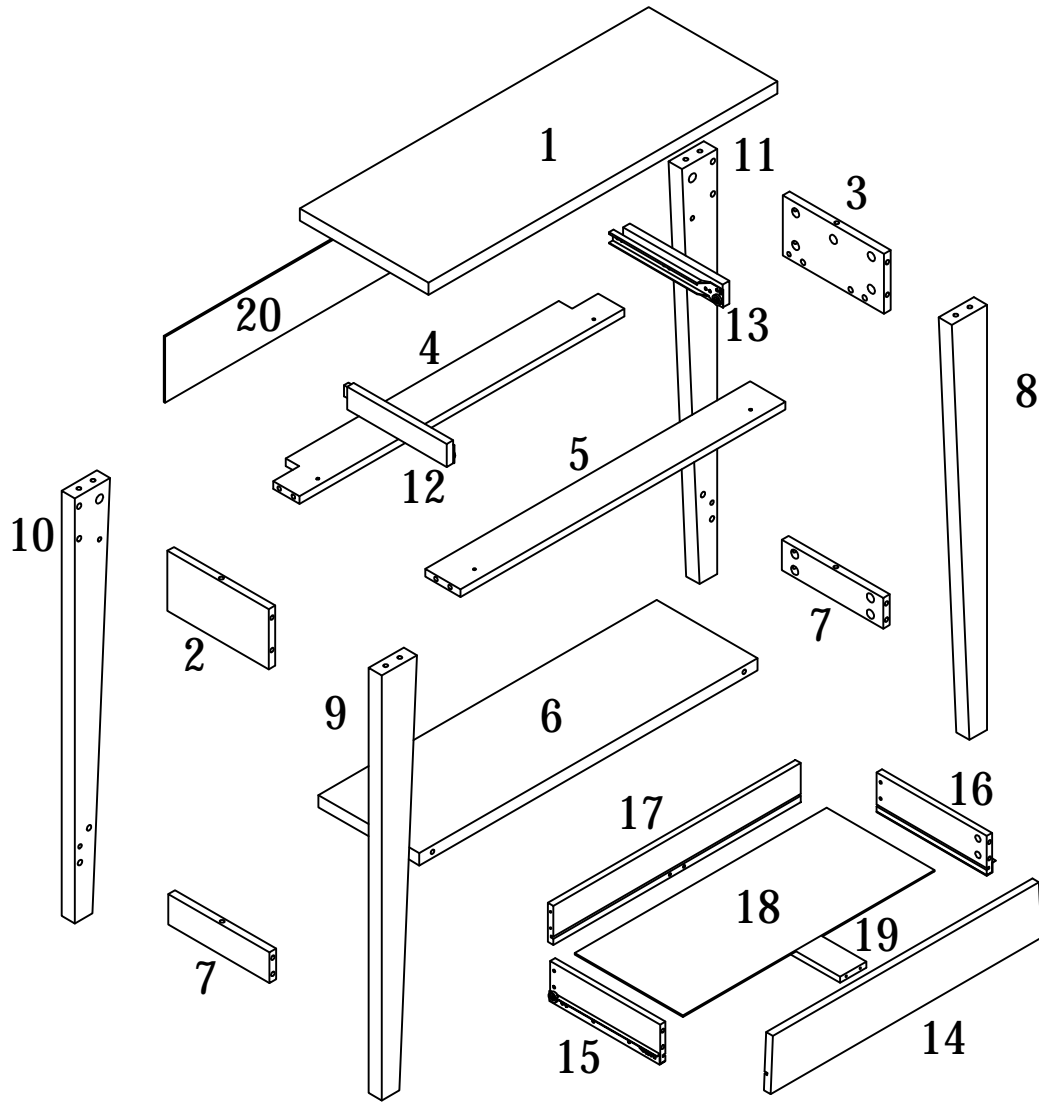
Tip #3: Read manual before assembling, it helps!

ITEM#: 161619



PARTS IDENTIFICATION

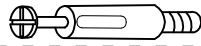


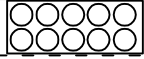

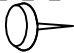
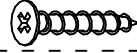
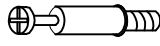





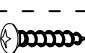

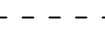
ITEM#: 161619



(1)	1pc	(8)	1pc	(15)	1pc
(2)	1pc	(9)	1pc	(16)	1pc
(3)	1pc	(10)	1pc	(17)	1pc
(4)	1pc	(11)	1pc	(18)	1pc
(5)	1pc	(12)	1pc	(19)	1pc
(6)	1pc	(13)	1pc	(20)	1pc
(7)	2pcs	(14)	1pc		



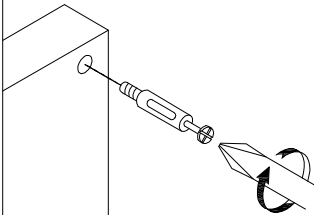
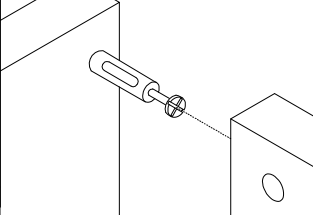
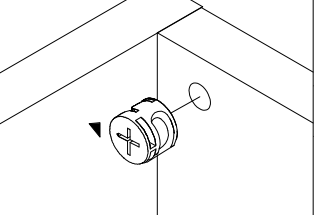
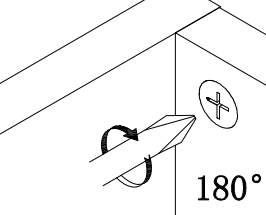
HARDWARE IDENTIFICATION

ITEM#: 161619

A		L29	28pcs
B		Φ 15	28pcs
C		Φ 8 x 25	18pcs
D		Φ 20	4pcs
E			16pcs
F		Φ 16	4pcs
G		Φ 4 x 30	10pcs
H		L20	4pcs
I		Φ 12	4pcs
J		Φ 6 x 30	2pcs
K		Φ8x40	1pc
L		Φ12x12x1	2pcs
M		Φ5x40	1pc
N		Φ4x25	1pc
O		197×5×1	1pc
P		Glue: For securing please apply to wood dowel first before inserting into panel	1pc

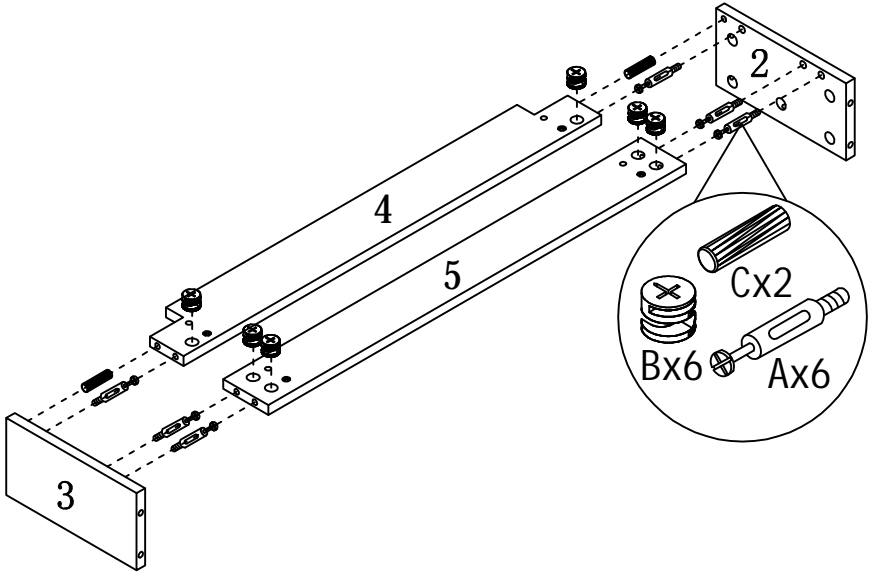
ASSEMBLY INSTRUCTION

ITEM#: 161619

<p>HOW TO</p>  <p>Cam Bolt</p>  <p>Cam Lock</p>	1	2	3	4
	 <p>1. Screw Cam Bolt into panel.</p>	 <p>2. Insert Cam Bolt into bolt hole of joining panel.</p>	 <p>3. Insert Cam Lock. arrow facing bolt.</p>	 <p>4. Gently turn Cam Lock clockwise to lock position.</p> <p>180°</p>

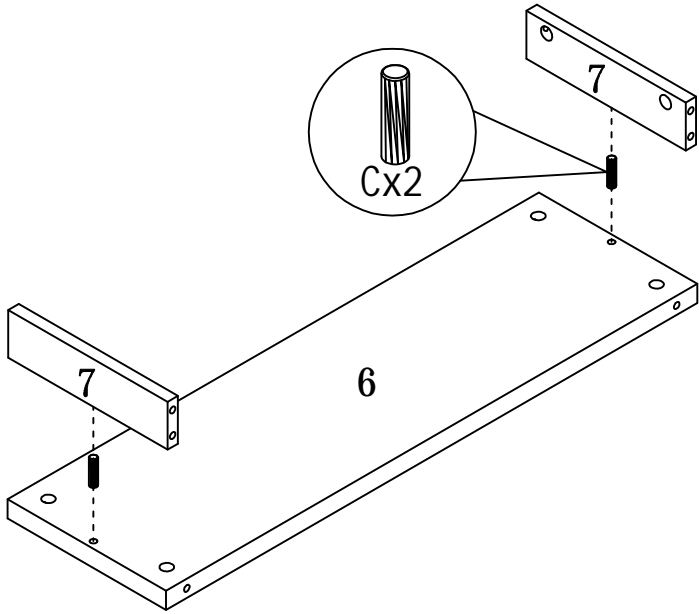
ASSEMBLY INSTRUCTION

ITEM#: 161619



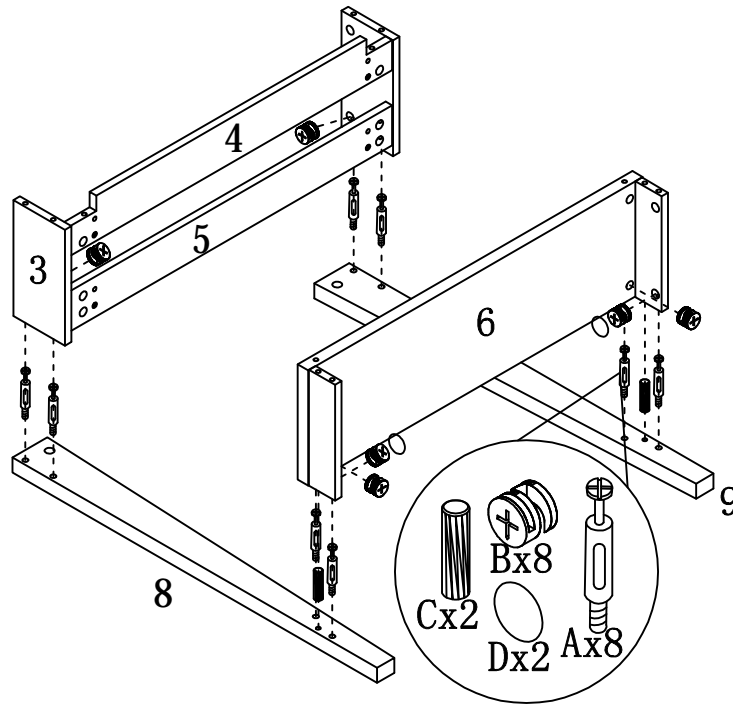
STEP 1

STEP 2



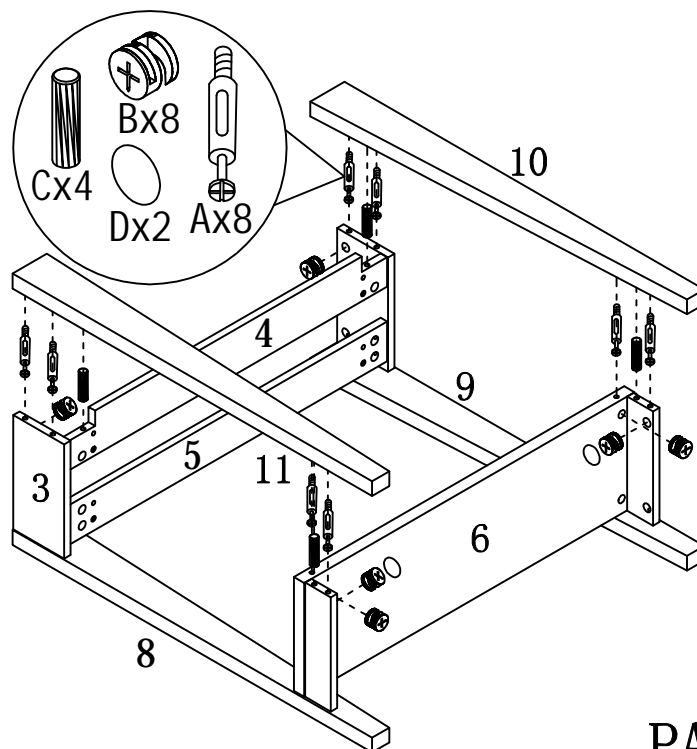
ASSEMBLY INSTRUCTION

ITEM#: 161619



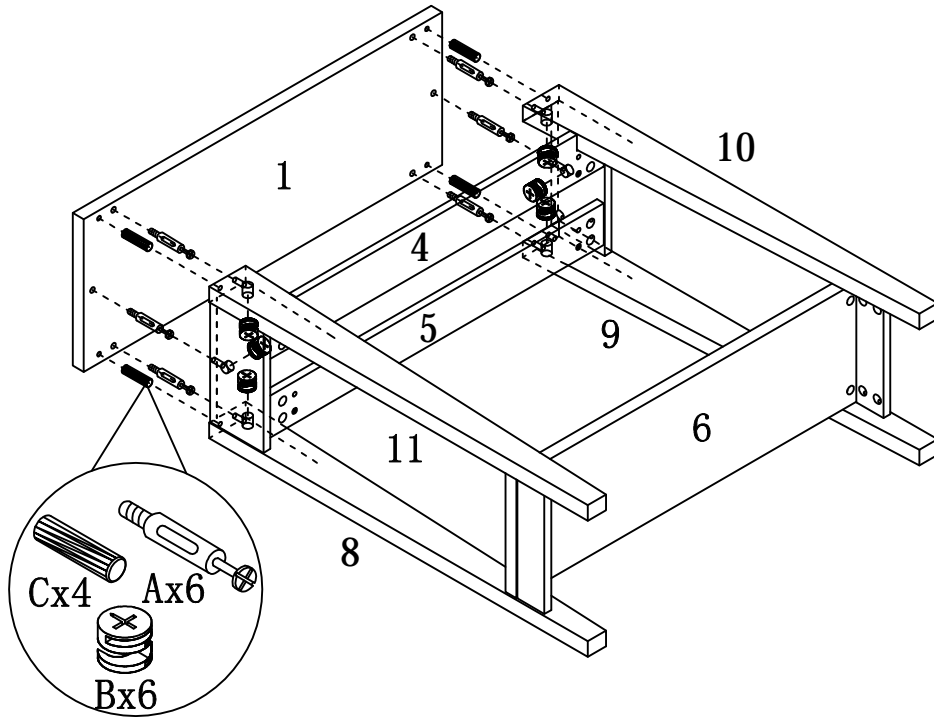
STEP3

STEP4



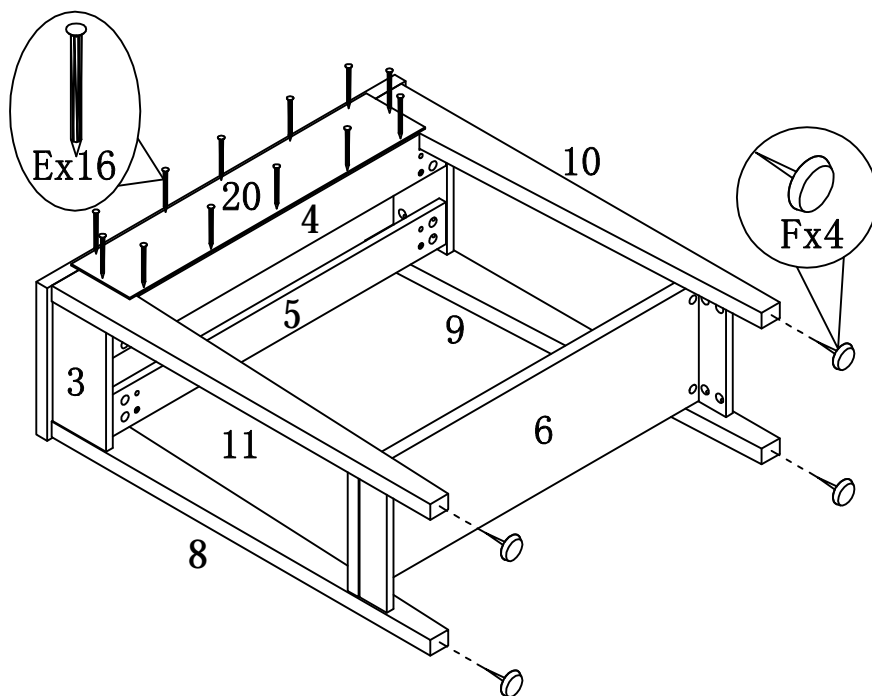
ASSEMBLY INSTRUCTION

ITEM#: 161619



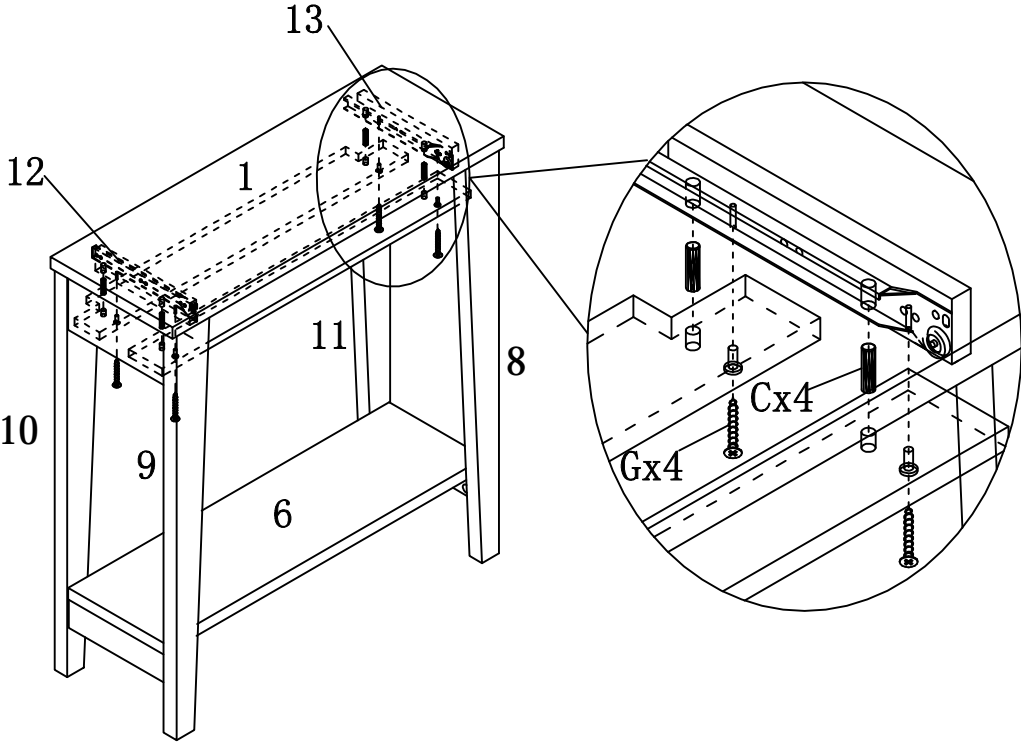
STEP5

STEP6



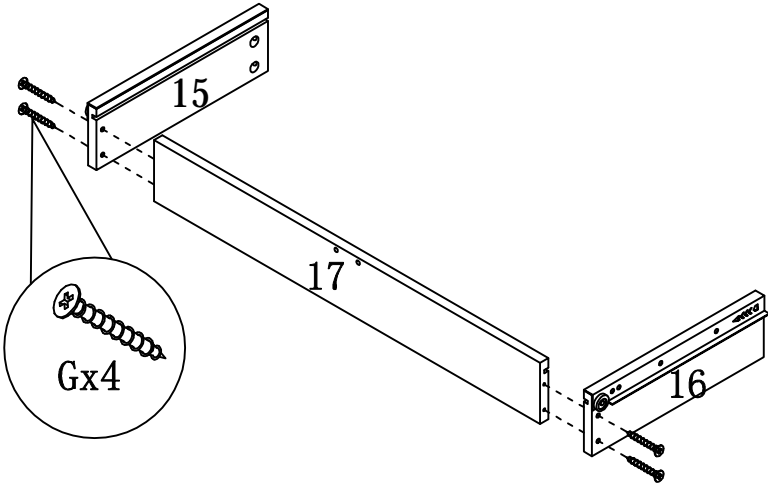
ASSEMBLY INSTRUCTION

ITEM#: 161619



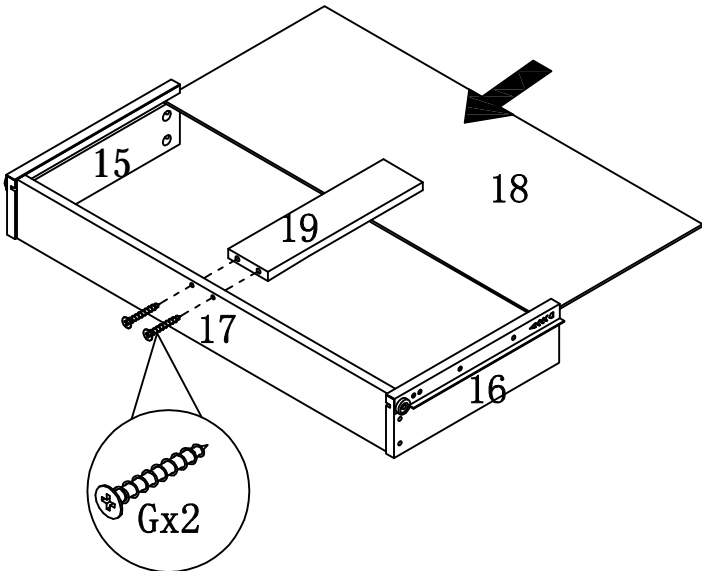
STEP 7

STEP 8



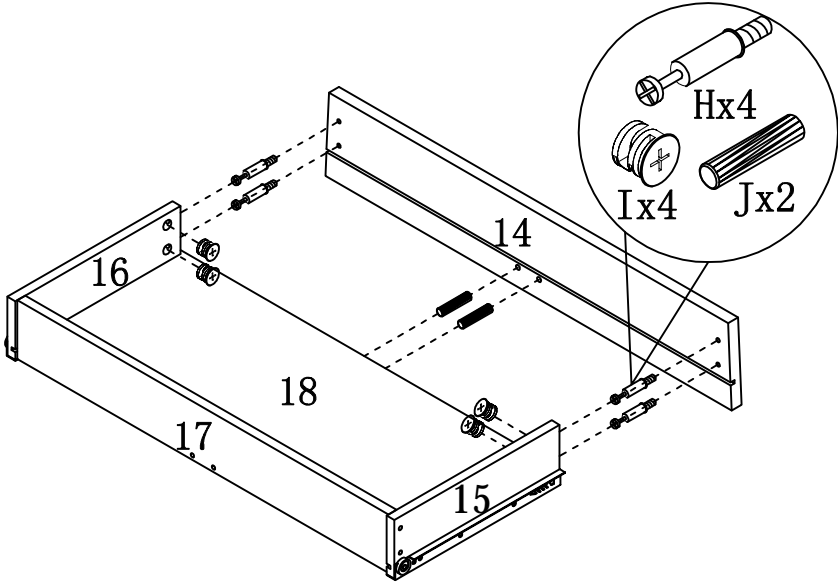
ASSEMBLY INSTRUCTION

ITEM#: 161619



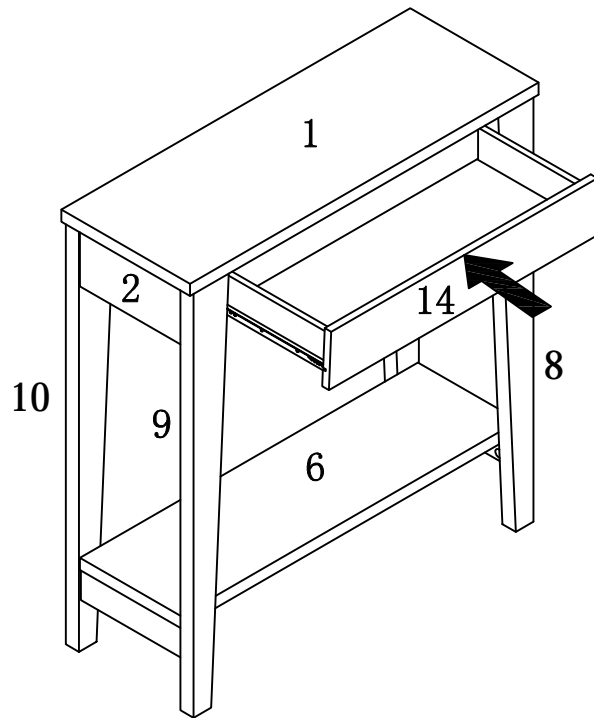
STEP9

STEP10



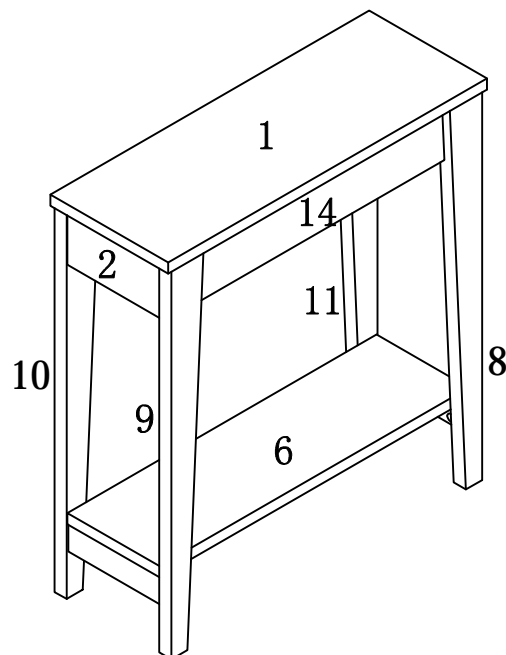
ASSEMBLY INSTRUCTION

ITEM#: 161619



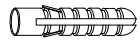
STEP 11

STEP 12

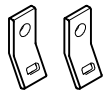


ANTI-TIPPING STRAP INSTRUCTION

HARDWARE (INCLUDED) :



DRYWALL ANCHOR $\phi 8 \times 40$ X 1PC



METAL BRACKETS $12 \times 12 \times 1$ X 2PCS



DRYWALL SCREW $\phi 5 \times 40$ X 1PC

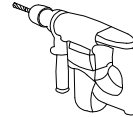


STRAP $197 \times 5 \times 1$ X 1PC



FLATHEAD SCREW $\phi 4 \times 25$ X 1PC

TOOLS NEEDED (NOT INCLUDED) :



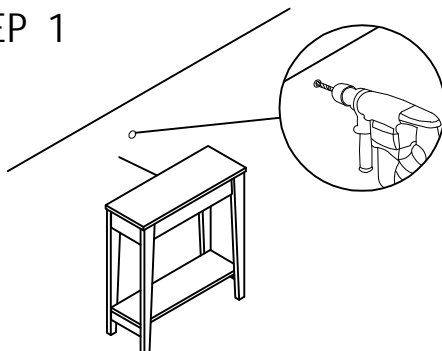
DRILL & DRILL BIT



LIGHT HAMMER

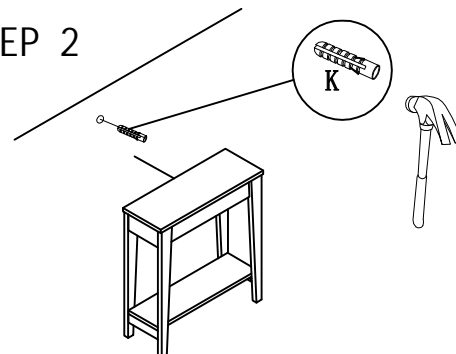
Note: Hardware included only compatible with standard drywalls.

STEP 1



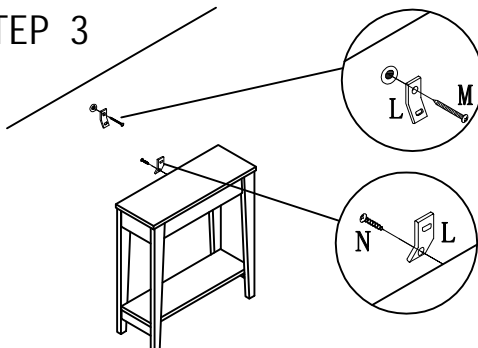
1. Find spot on wall 1" below top of item.
2. Using a drill bit slightly thinner than anchor, drill hole into drywall.

STEP 2



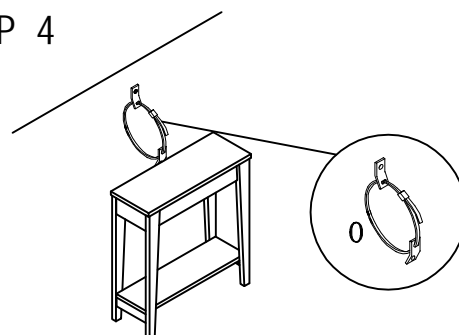
1. Use a light hammer to tap anchor into hole.
2. Anchor should fit snugly. If hole is too small, drill again to increase hole size. Do not force anchor into wall.

STEP 3



1. Insert drywall screw into metal bracket and into drywall anchor.
2. Insert flathead screw into second metal bracket and into back of item along top edge.

STEP 4



1. Insert strap thru bracket attached to wall, then thru bracket on item, and into head of strap.
 2. pull lightly til strap stops.
- Assembly is complete.