

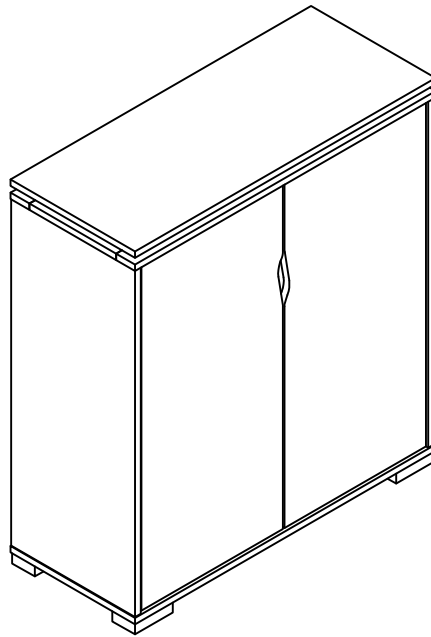
# ASSEMBLY INSTRUCTION

## **PLEASE READ BEFORE ASSEMBLING!**

Tip #1: Make sure you've taken all the pieces and hardware out of its packaging before discarding the box.

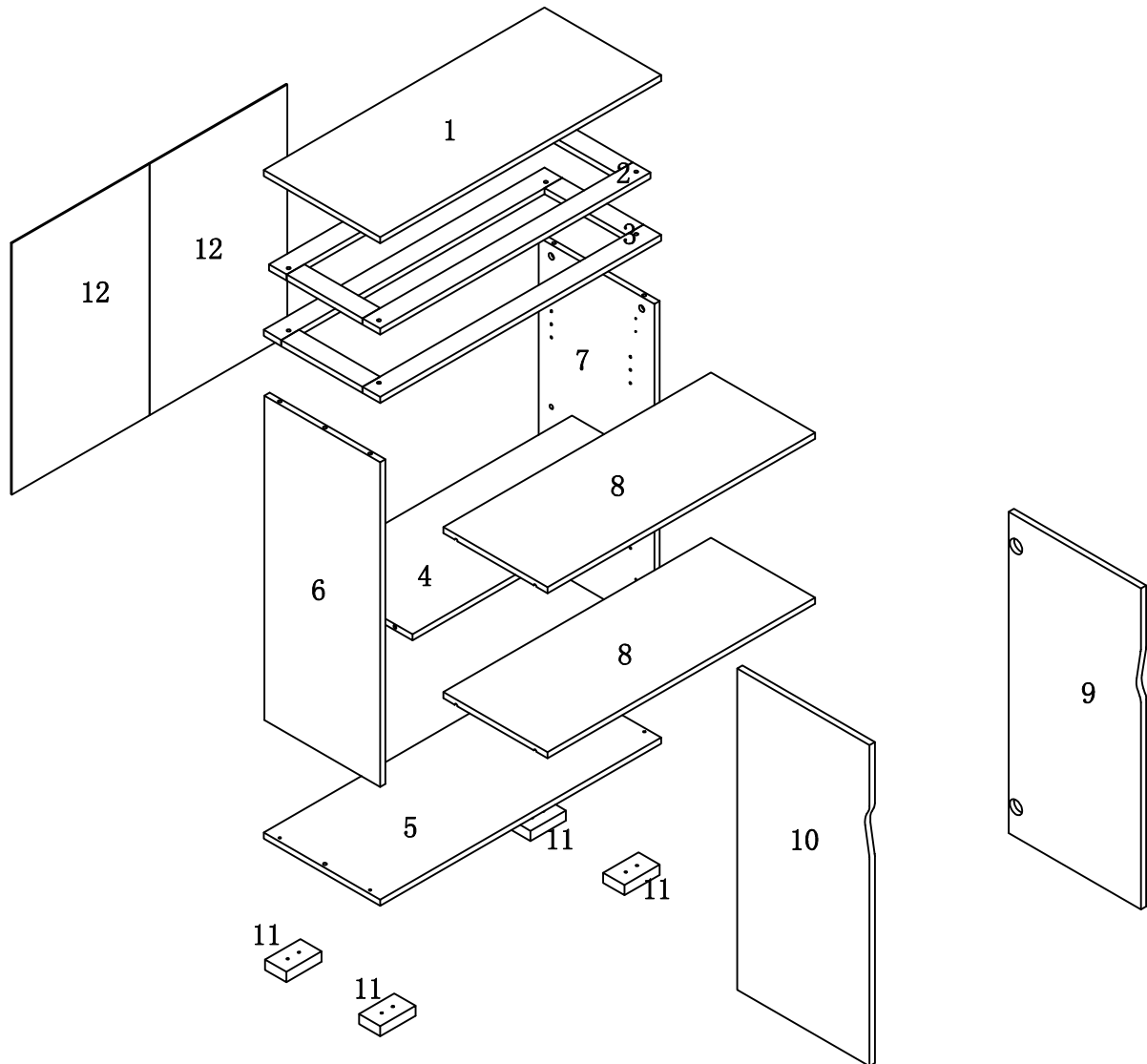
Tip #2: Using page 2 and/or page 3 of instruction manual make sure all pieces and hardware are accounted for.

ITEM#: 161832 161849 171945



# PARTS IDENTIFICATION






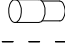







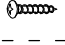




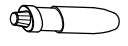
ITEM#: 161832 161849 171945



(1)	1pc	(9)	1pc
(2)	1pc	(10)	1pc
(3)	1pc	(11)	4pcs
(4)	1pc	(12)	2pcs
(5)	1pc		
(6)	1pc		
(7)	1pc		
(8)	2pcs		

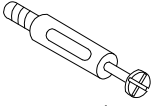

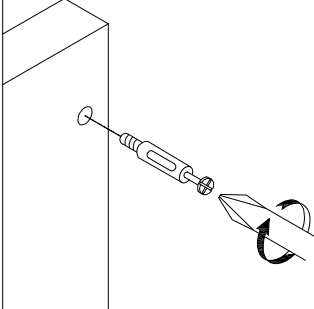
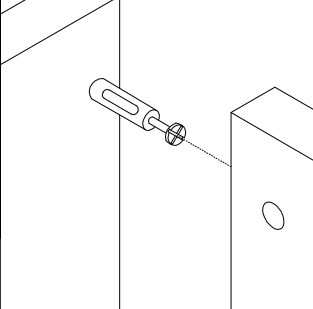
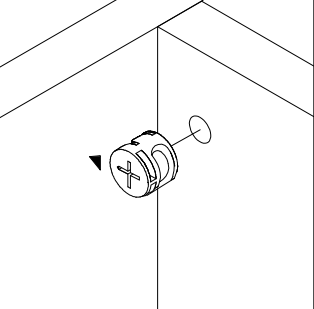
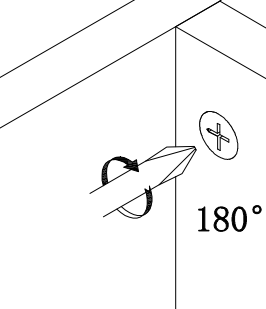
# HARDWARE IDENTIFICATION

ITEM#: 161832 161849 171945

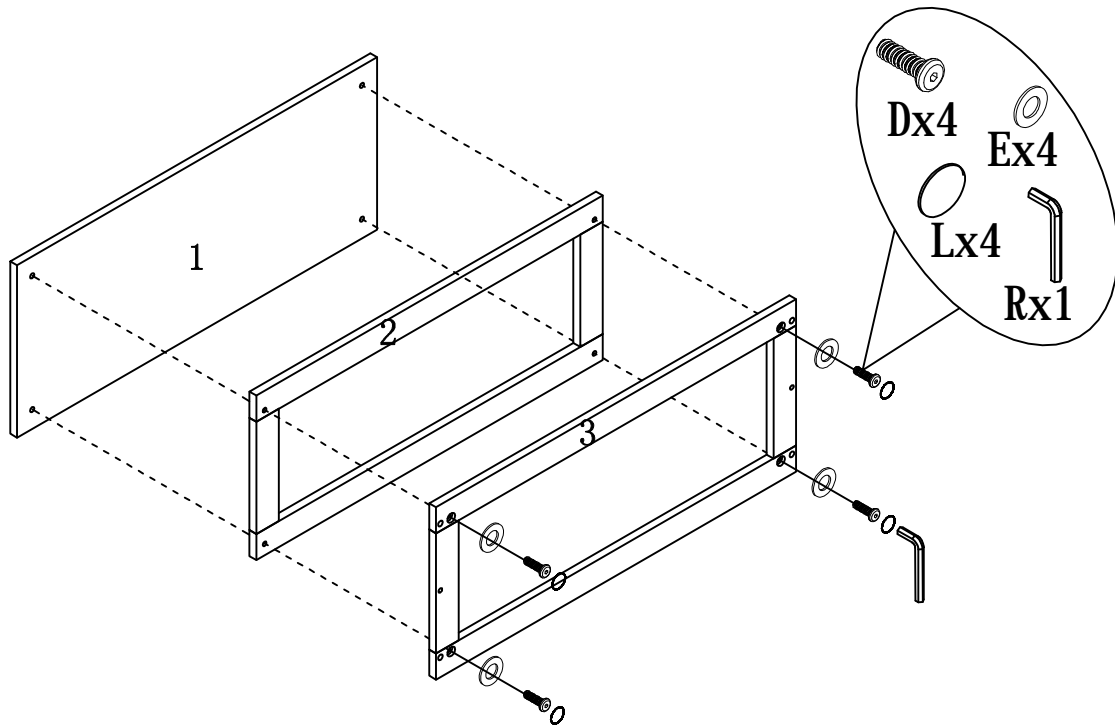
A		L29	8pcs
B		Ø15	8pcs
C		Ø8x25	6pcs
D		M6x35	4pcs
E		Ø8x16x2	4pcs
F		Ø5x10	8pcs
G		Ø4x30	12pcs
H			25pcs
I		Ø16	4pcs
J		301C	4pcs
K		Ø4x16	16pcs
L		Ø22	8pcs
M		197×5×1	1pc
N		Ø4×25	1pc
O		Ø5×40	1pc
P		Ø8×40	1pc
Q		12×12×1	2pcs
R		M4	1pc
S		Glue: For securing please apply to wood dowel first before inserting into panel	1PC

# HARDWARE IDENTIFICATION

ITEM#: 161832 161849 171945

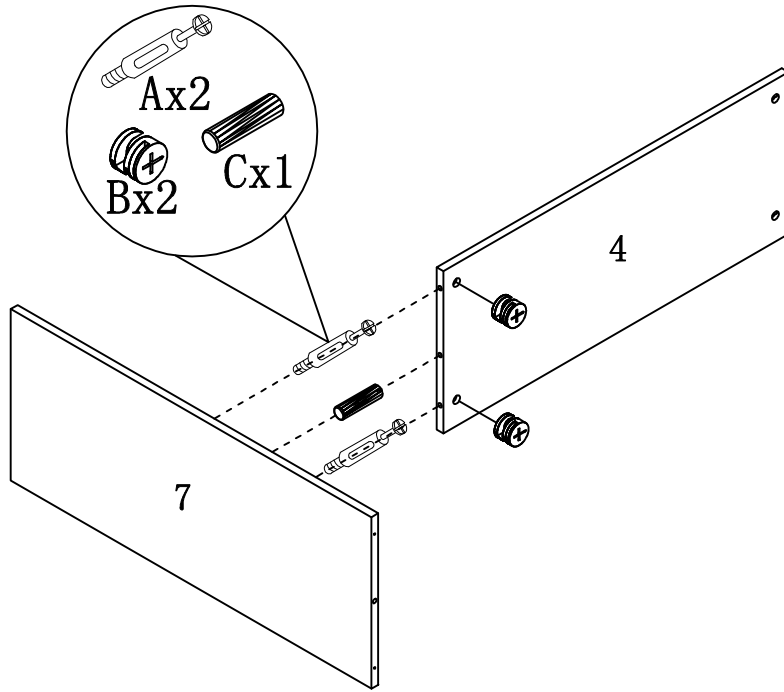
HOW TO	1	2	3	4
 <p>Cam Bolt</p>  <p>Cam Lock</p>				
	<p>1. Screw Cam Bolt into panel.</p>	<p>2. Insert Cam Bolt into bolt hole of joining panel.</p>	<p>3. Insert Cam Lock. arrow facing bolt.</p>	<p>4. Gently turn Cam Lock clockwise to lock position.</p>

## STEP 1



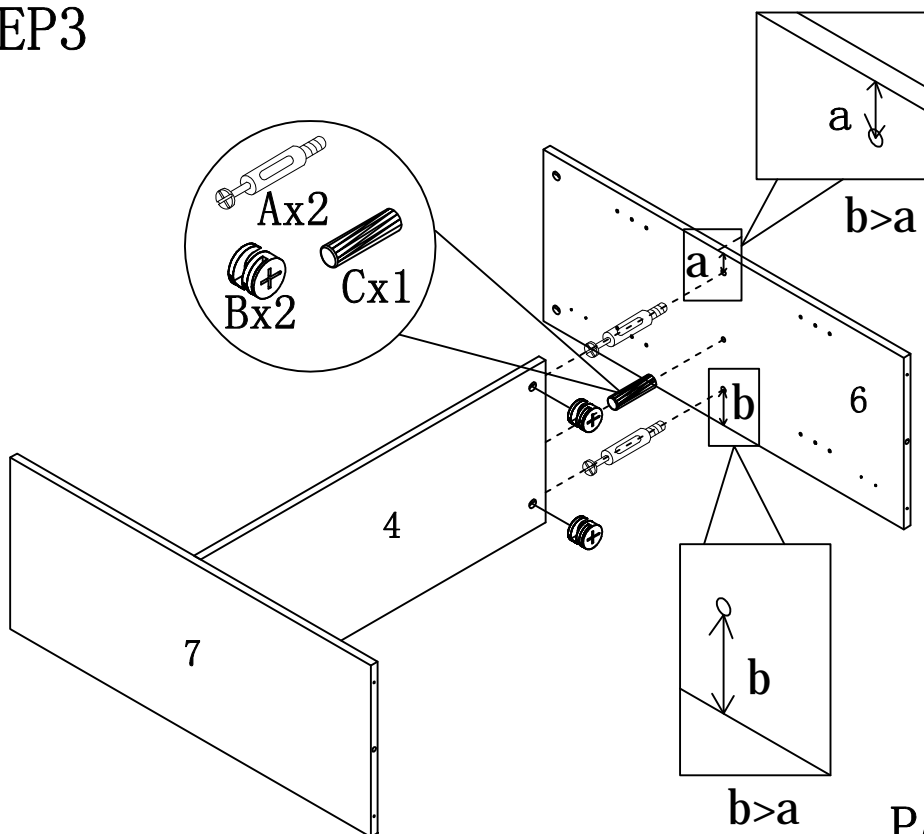
# HARDWARE IDENTIFICATION

ITEM#: 161832 161849 171945



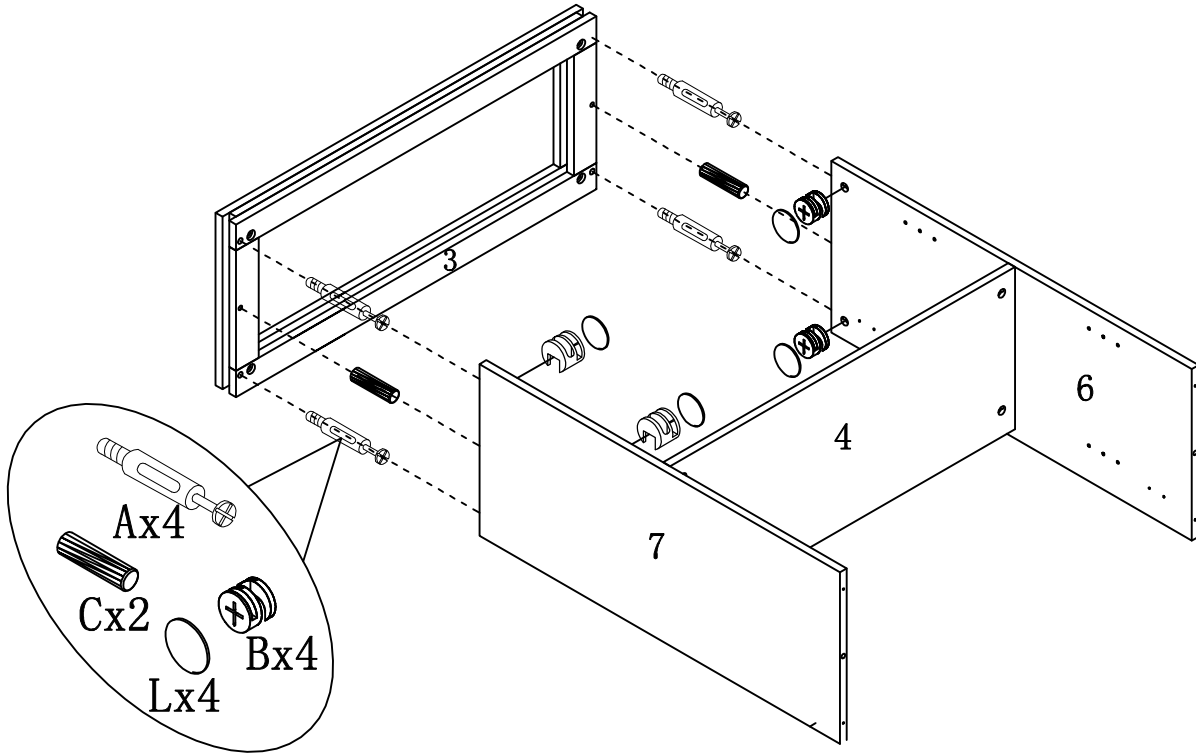
STEP2

STEP3



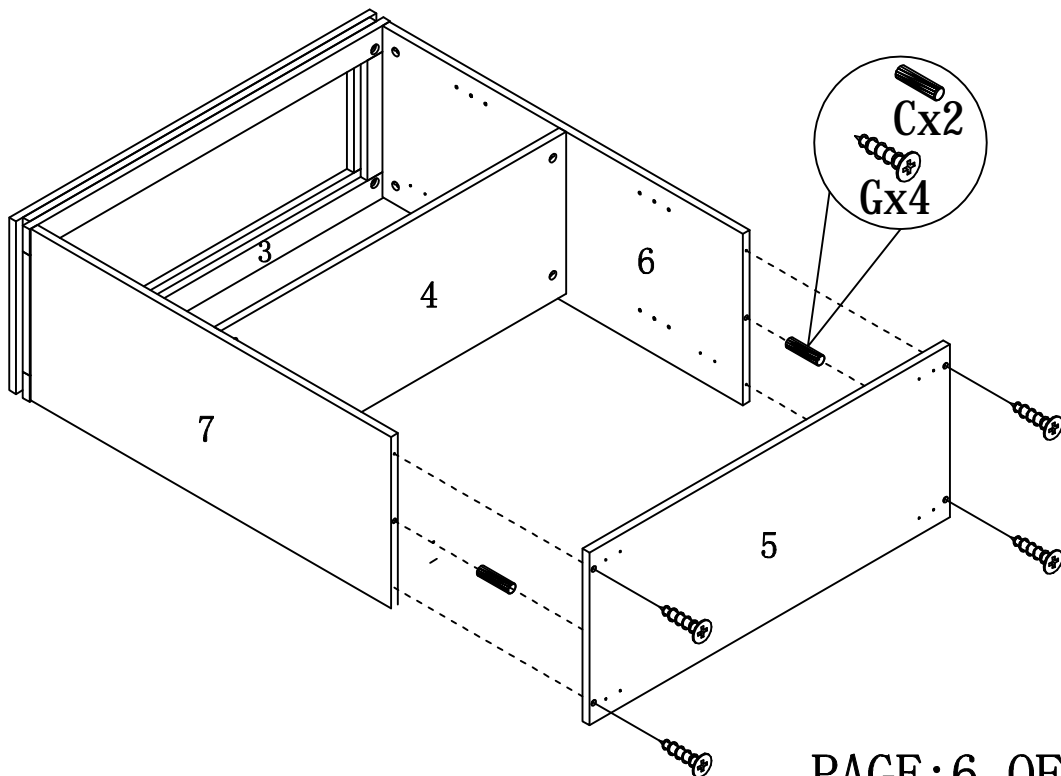
# HARDWARE IDENTIFICATION

ITEM#: 161832 161849 171945



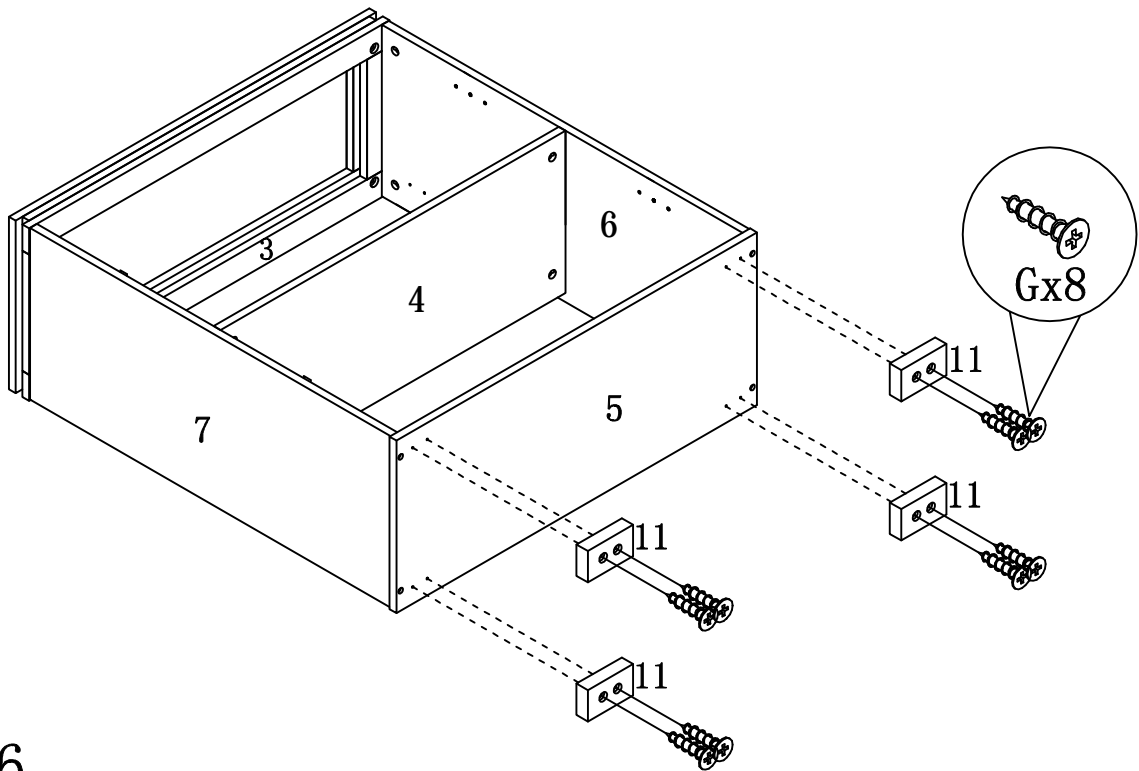
STEP4

STEP5



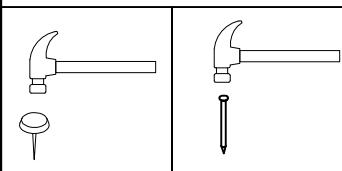
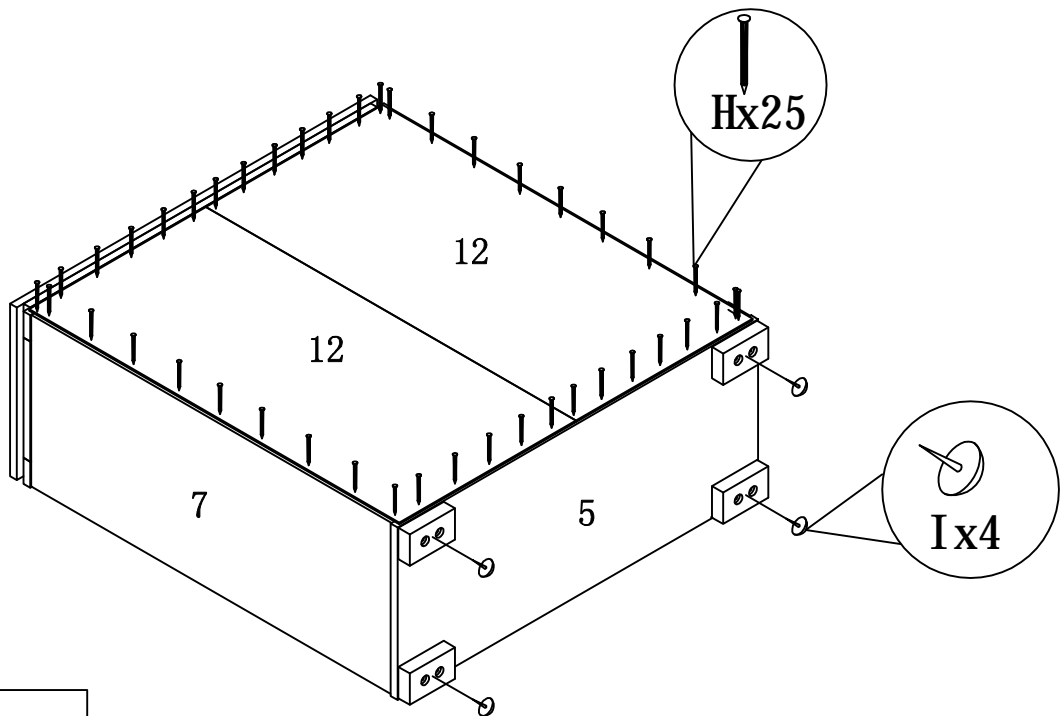
# HARDWARE IDENTIFICATION

ITEM#: 161832 161849 171945



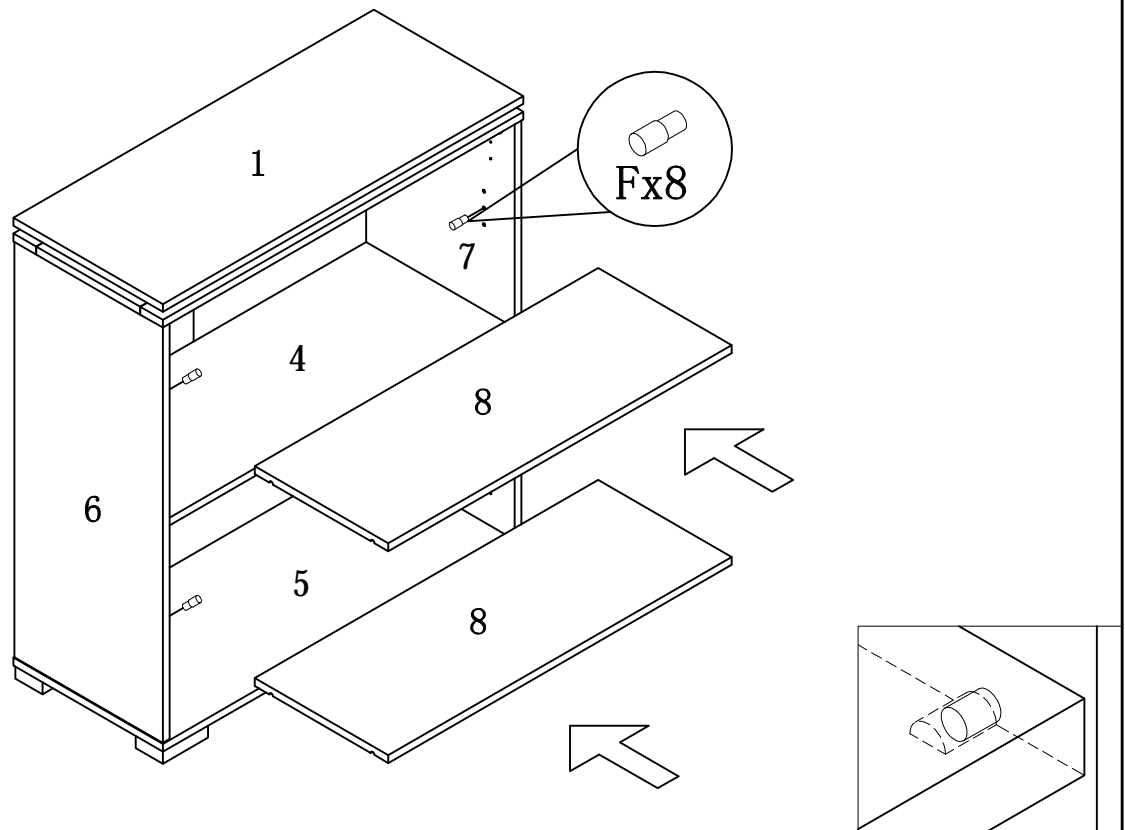
STEP6

STEP7



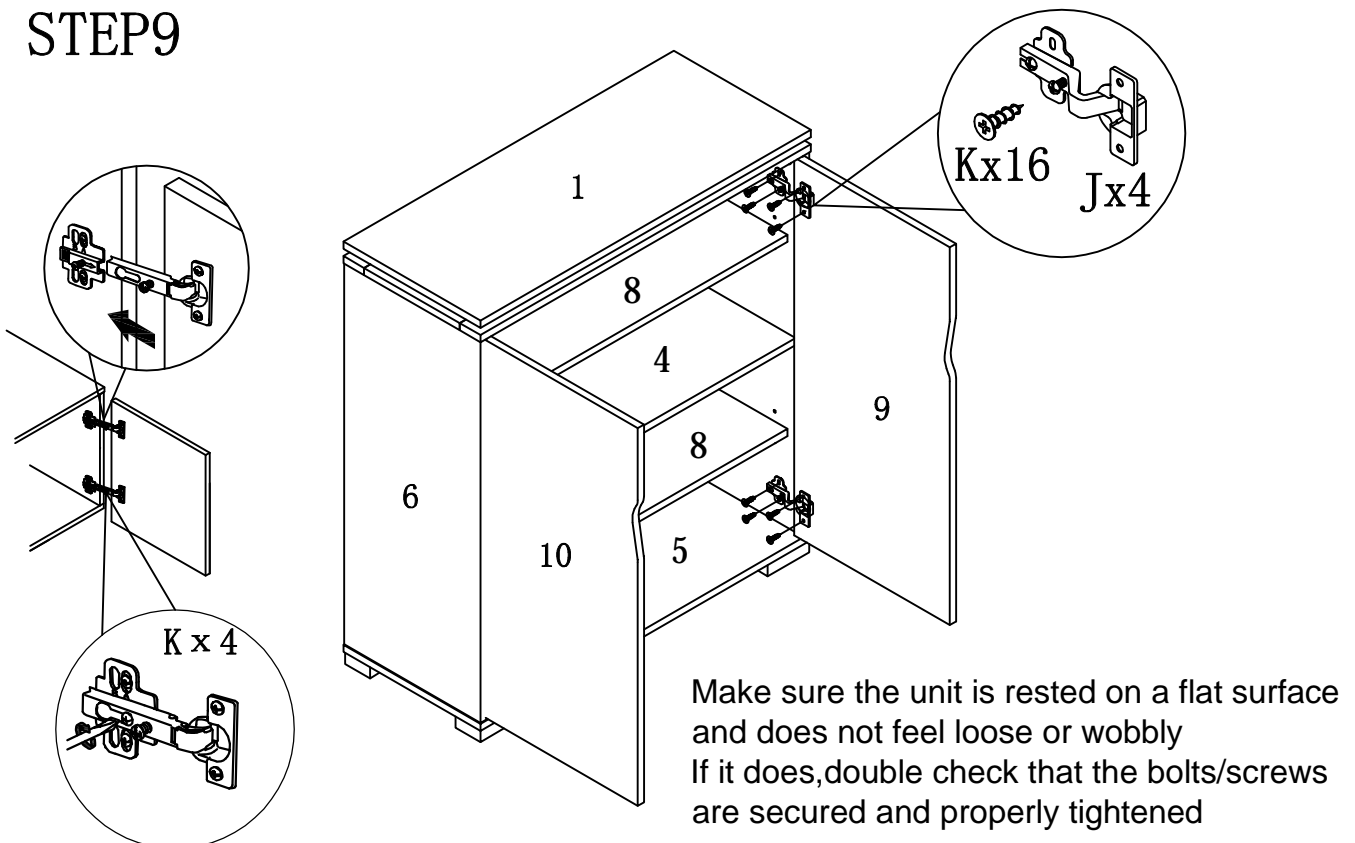
# HARDWARE IDENTIFICATION

ITEM#: 161832 161849 171945



STEP 8

STEP 9

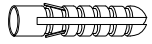


PAGE: 8 OF 8

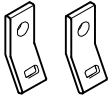


# ANTI-TIPPING STRAP INSTRUCTION

## HARDWARE (INCLUDED) :



DRYWALL ANCHOR  $\phi 8 \times 40$  X 1PC



METAL BRACKETS  $12 \times 12 \times 1$  X 2PCS



DRYWALL SCREW  $\phi 5 \times 40$  X 1PC

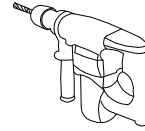


STRAP  $197 \times 5 \times 1$  X 1PC



FLATHEAD SCREW  $\phi 4 \times 25$  X 1PC

## TOOLS NEEDED ( NOT INCLUDED) :



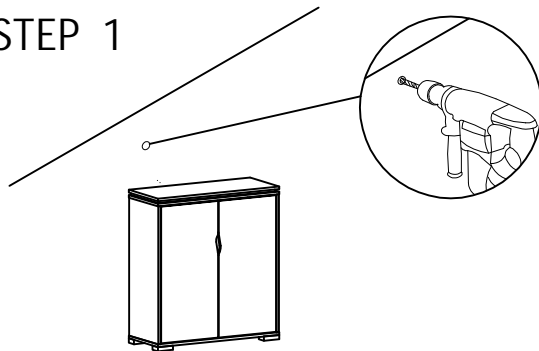
DRILL & DRILL BIT



LIGHT HAMMER

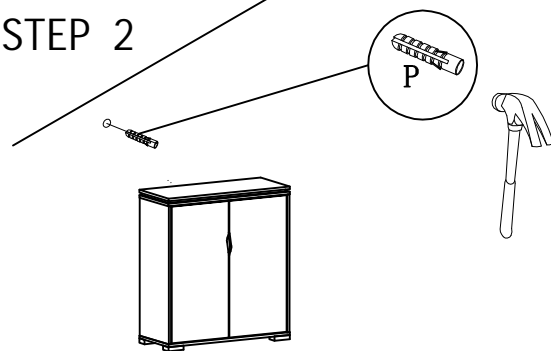
Note: Hardware included only compatible with standard drywalls.

### STEP 1



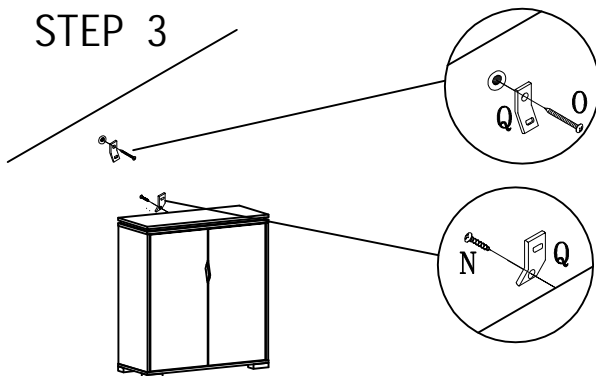
1. Find spot on wall 1" below top of item.
2. Using a drill bit slightly thinner than anchor, drill hole into drywall.

### STEP 2



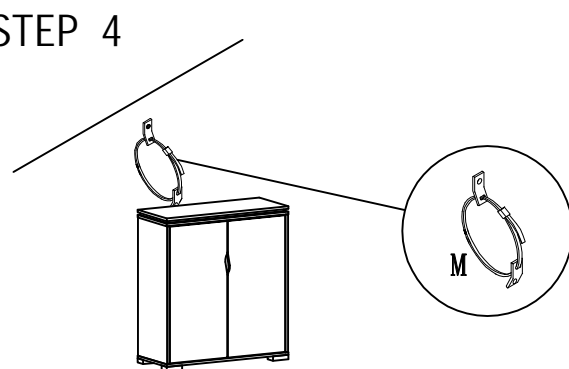
1. Use a light hammer to tap anchor into hole.
2. Anchor should fit snugly. If hole is too small, drill again to increase hole size. Do not force anchor into wall.

### STEP 3



1. Insert drywall screw into metal bracket and into drywall anchor.
2. Insert flathead screw into second metal bracket and into back of item along top edge.

### STEP 4



1. Insert strap thru bracket attached to wall, then thru bracket on item, and into head of strap.
  2. pull lightly til strap stops.
- Assembly is complete.