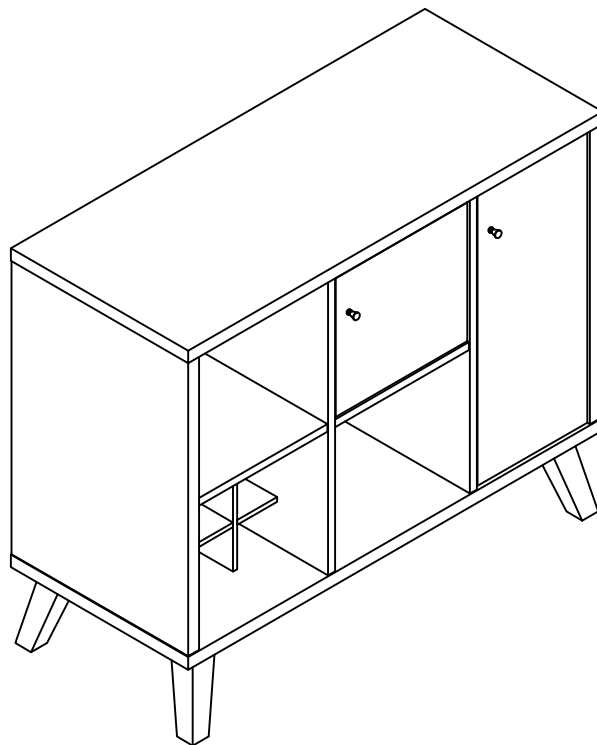


ASSEMBLY INSTRUCTION

ITEM#: 161856



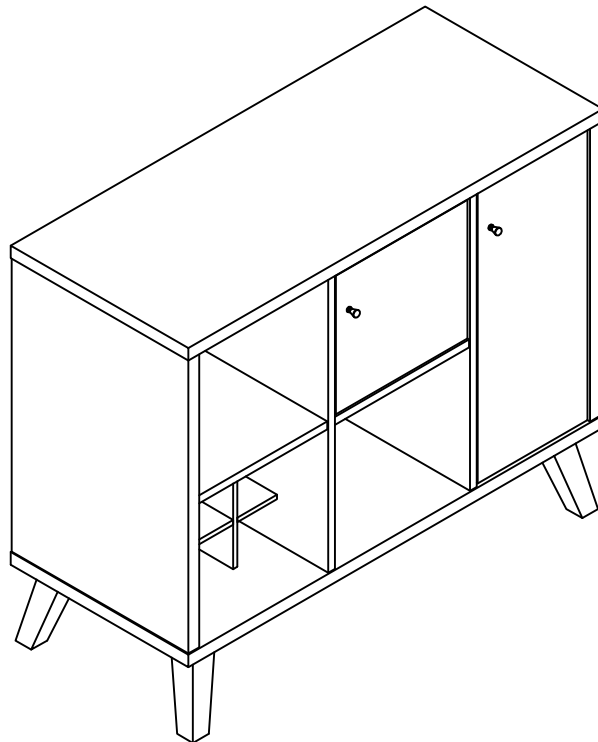
ASSEMBLY INSTRUCTION

PLEASE READ BEFORE ASSEMBLING!

Tip #1: Make sure you've taken all the pieces and hardware out of its packaging before discarding the box.

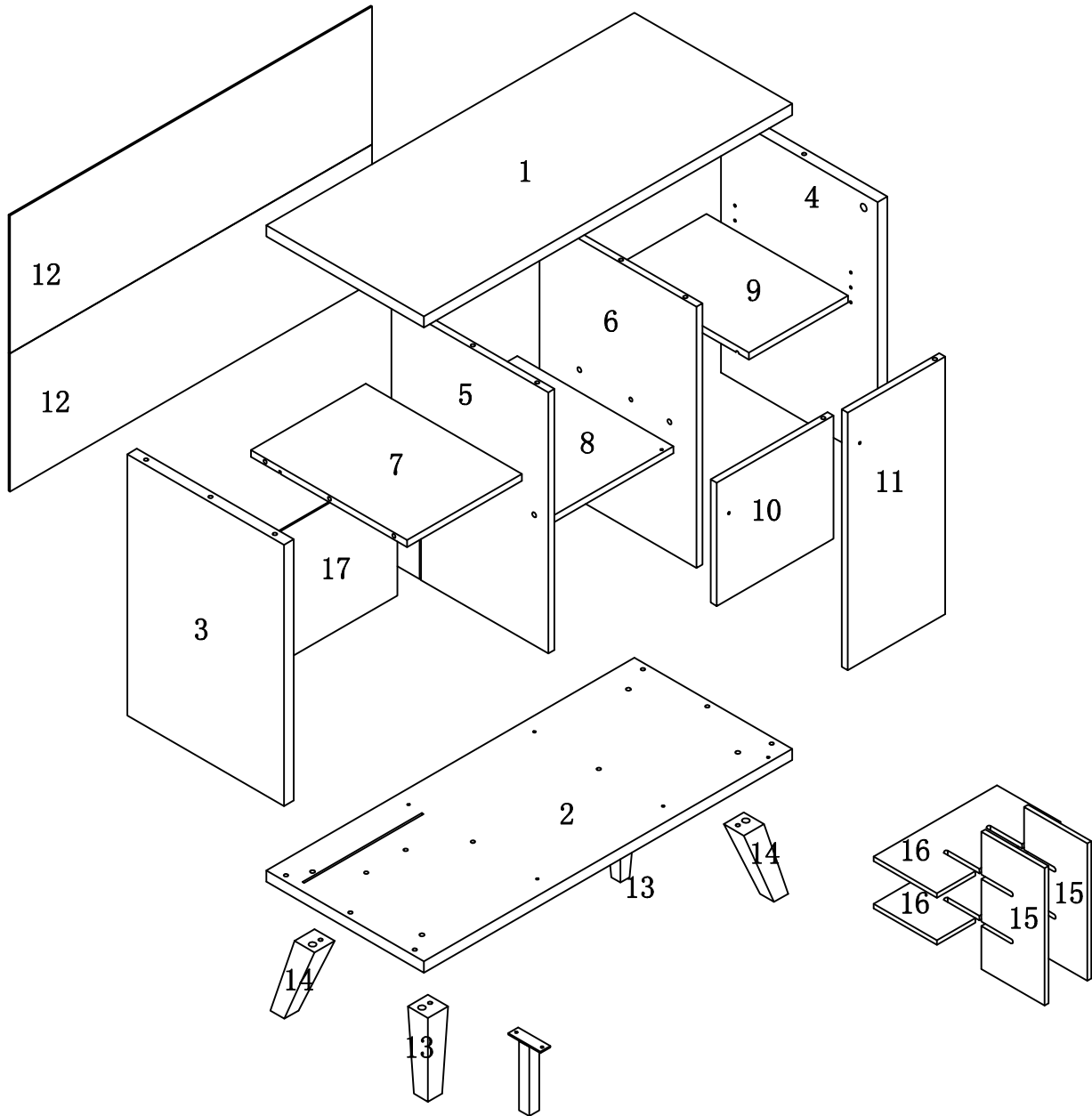
Tip #2: Using page 2 and/or page 3 of instruction manual make sure all pieces and hardware are accounted for.

ITEM#: 161856



PARTS IDENTIFICATION

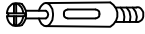

















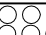

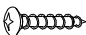
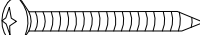
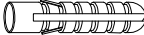

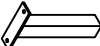


ITEM#: 161856



(1)	1pc	(8)	1pc	(15)	2pcs
(2)	1pc	(9)	1pc	(16)	2pcs
(3)	1pc	(10)	1pc	(17)	1pc
(4)	1pc	(11)	1pc		
(5)	1pc	(12)	2pcs		
(6)	1pc	(13)	2pcs		
(7)	1pc	(14)	2pcs		

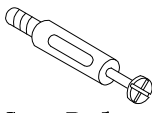
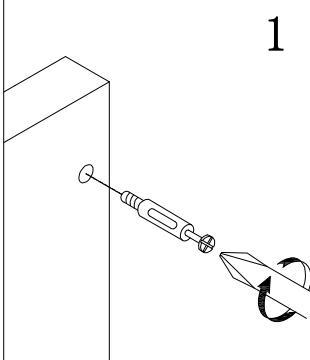
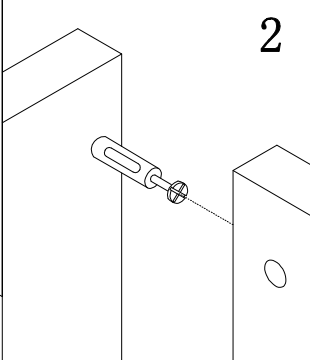
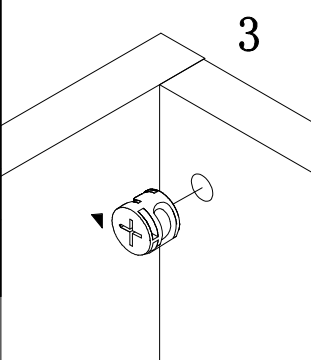
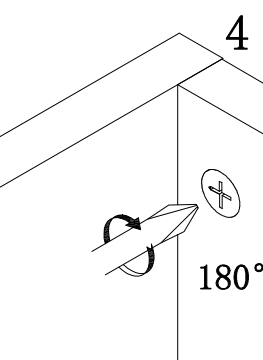

HARDWARE IDENTIFICATION

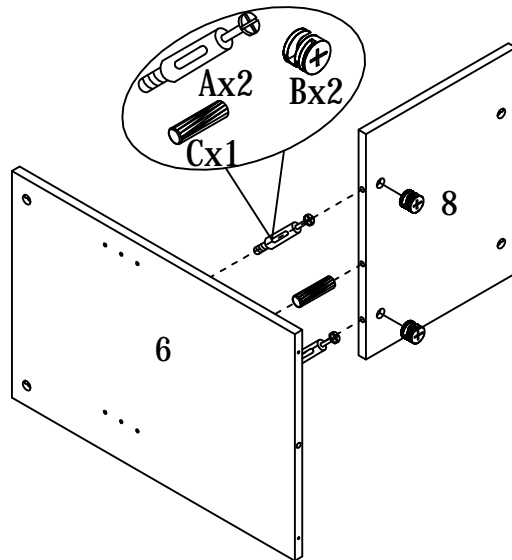
ITEM#: 161856

A		L29	16PCS
B		Φ 15	16PCS
C		Φ 8x25	16PCS
D		Φ 8x25 (BLK)	4PCS
E		M7x48	4PCS
F		Φ 8x16x2	4PCS
G		M8x35	4PCS
H		M5	1PC
I			2PCS
J		Φ 3x14	4PCS
K		Φ 3x16	4PCS
L		Φ 4x40	4PCS
M			2PCS
N		M4x22	2PCS
O		∅16	5PCS
P			28PCS
Q		M5x15	4PCS
R			1PC
S		∅22	14PCS
T		197 × 5 × 1	1PC
U		∅4 × 25	1PC
V		∅5 × 40	1PC
W		∅8 × 40	1PC
X		12 × 12 × 1	2PCS
Y		80 × 25 × 152H	1PC
Z		∅4 × 16	2PCS
A1		Glue: For securing please apply to wood dowel first before inserting into panel	1PC

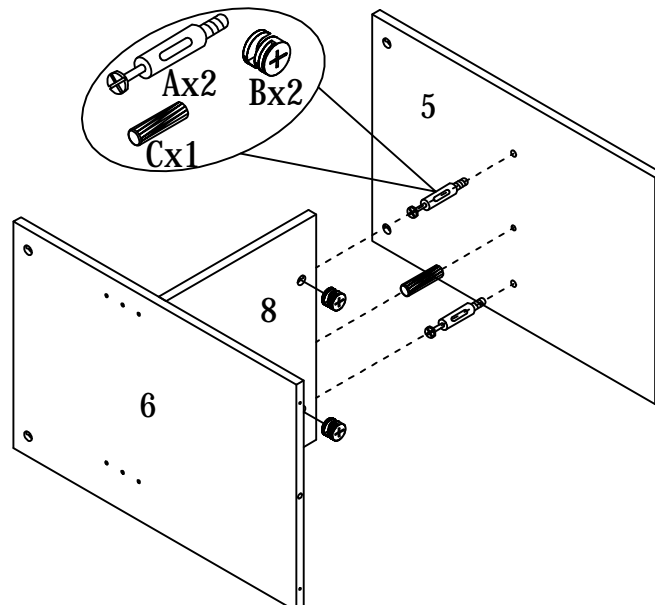
HARDWARE IDENTIFICATION

ITEM#: 161856

HOW TO	1	2	3	4
 Cam Bolt				
 Cam Lock	1. Screw Cam Bolt into panel.	2. Insert Cam Bolt into bolt hole of joining panel.	3. Insert Cam Lock. arrow facing bolt.	4. Gently turn Cam Lock clockwise to lock position.

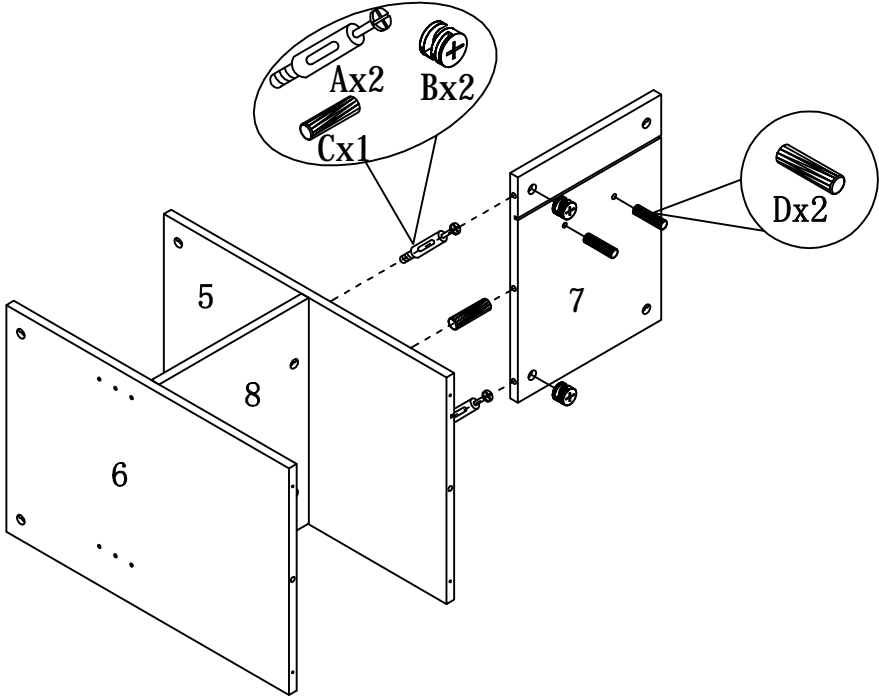


STEP 2



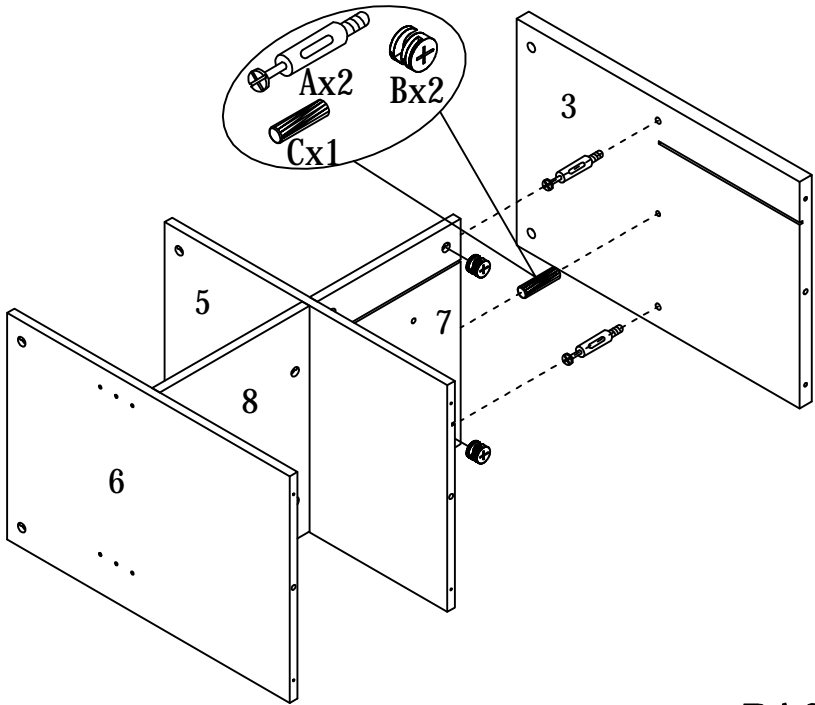
HARDWARE IDENTIFICATION

ITEM#: 161856



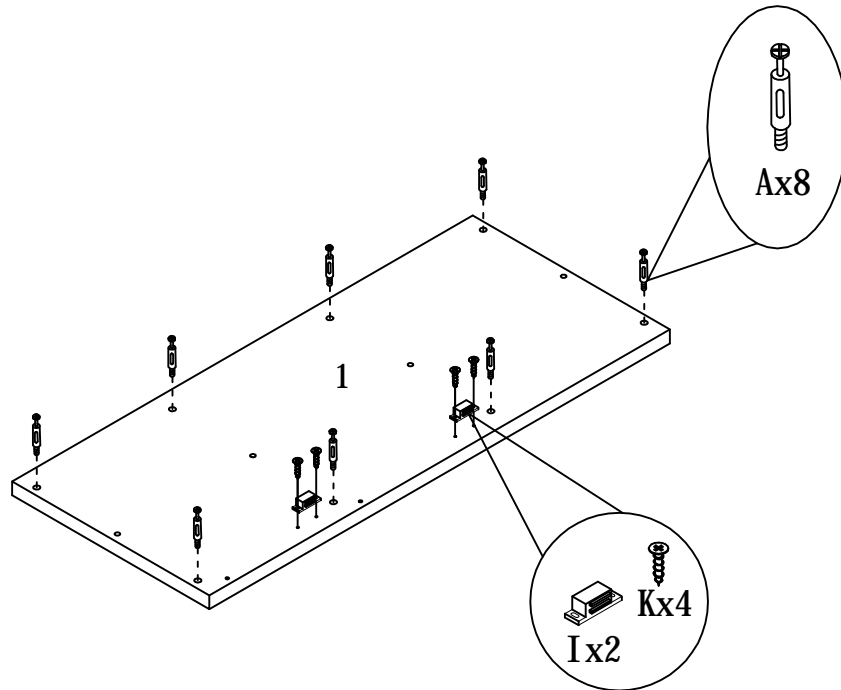
STEP3

STEP4



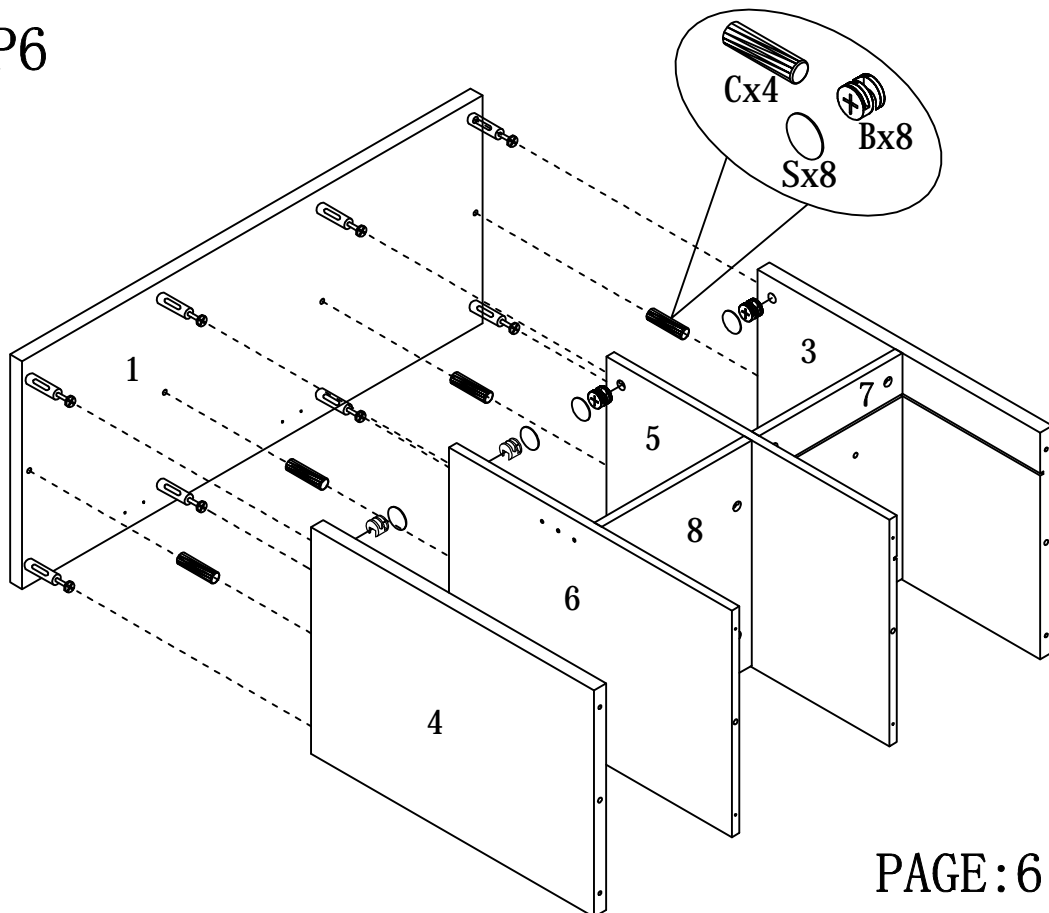
HARDWARE IDENTIFICATION

ITEM#: 161856



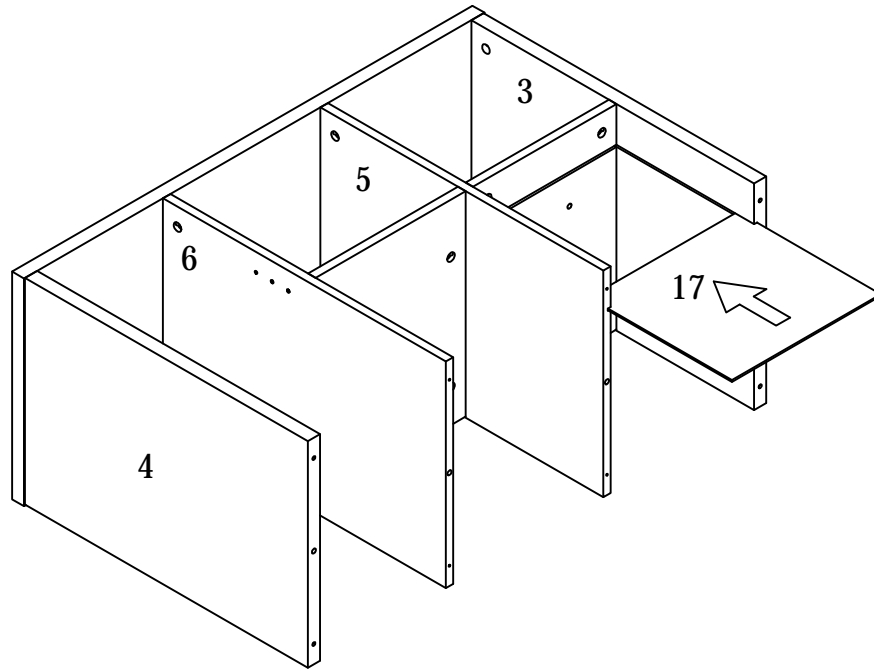
STEP5

STEP6



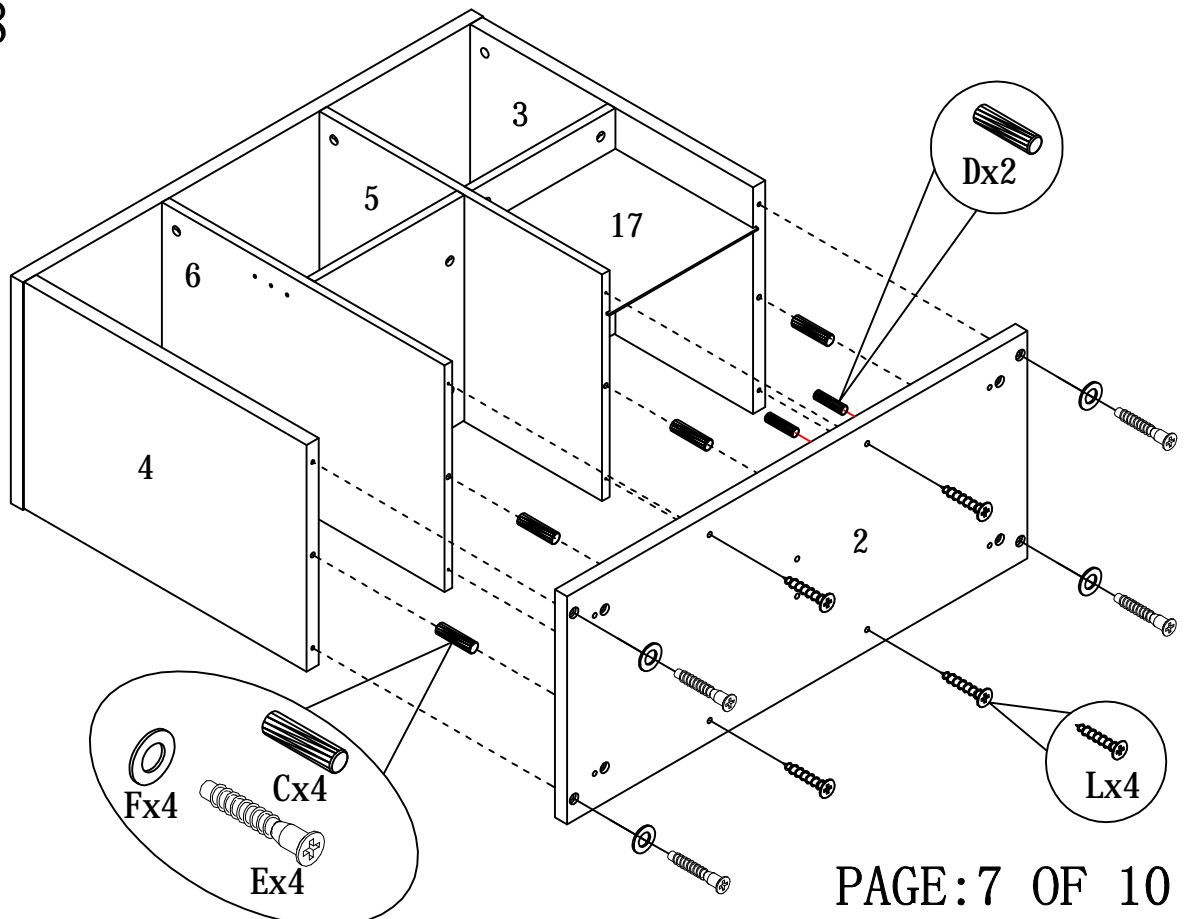
HARDWARE IDENTIFICATION

ITEM#: 161856



STEP 7

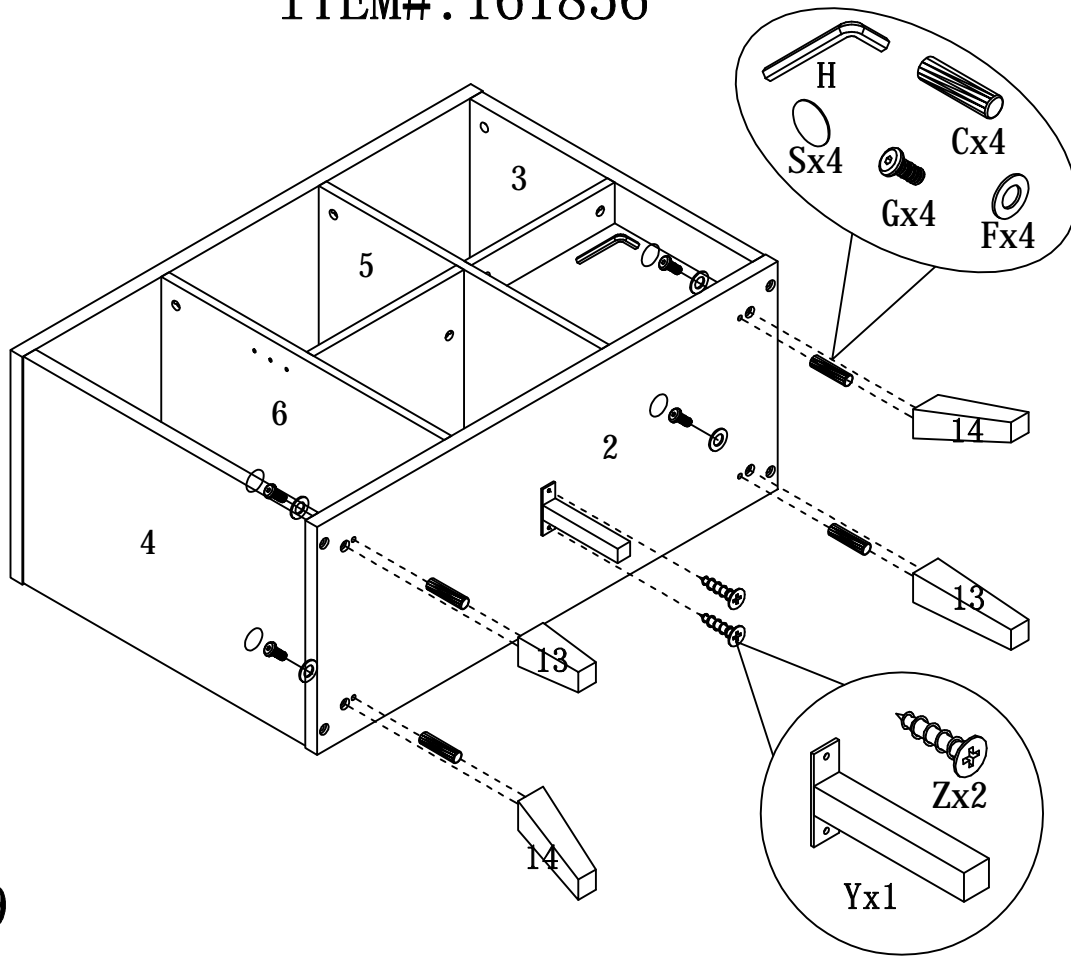
STEP 8



PAGE: 7 OF 10

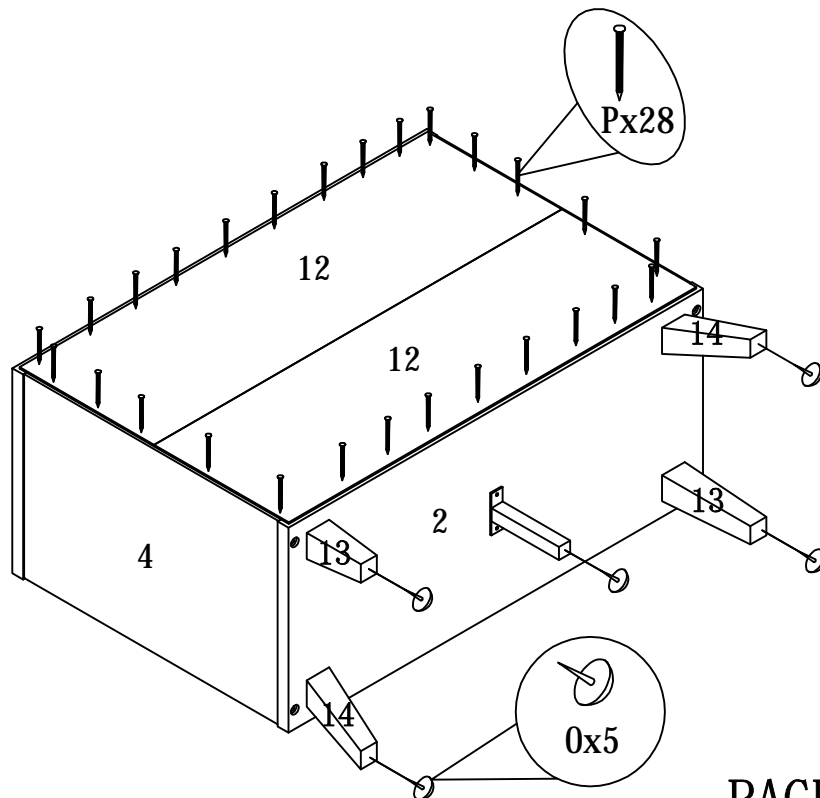
HARDWARE IDENTIFICATION

ITEM#: 161856



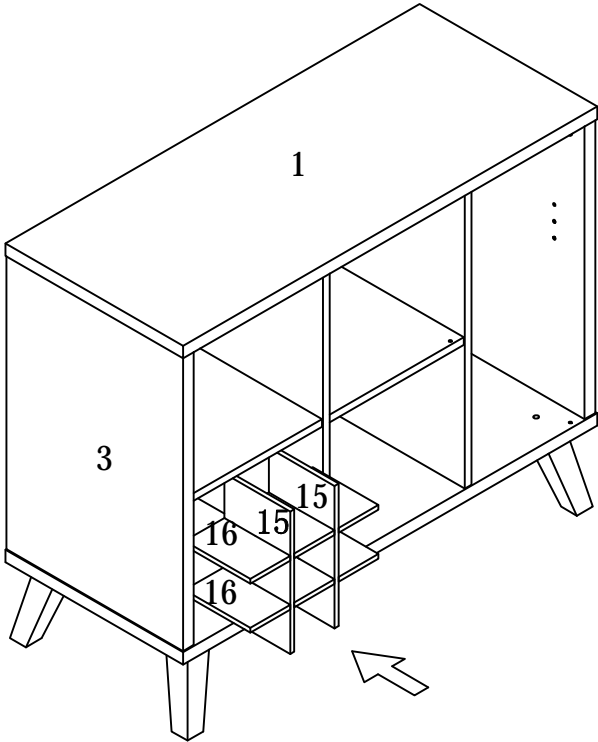
STEP 9

STEP 10



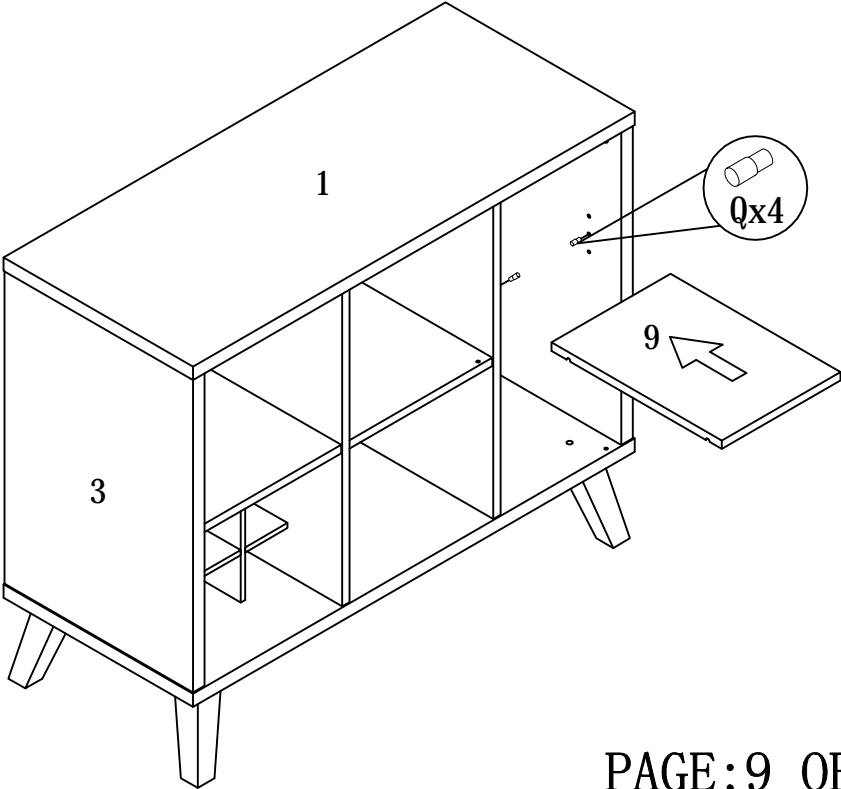
HARDWARE IDENTIFICATION

ITEM#: 161856



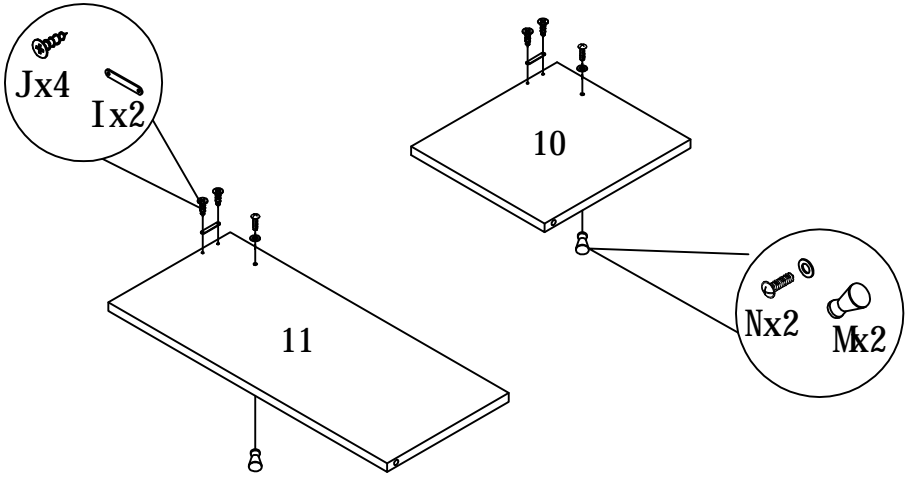
STEP 11

STEP 12



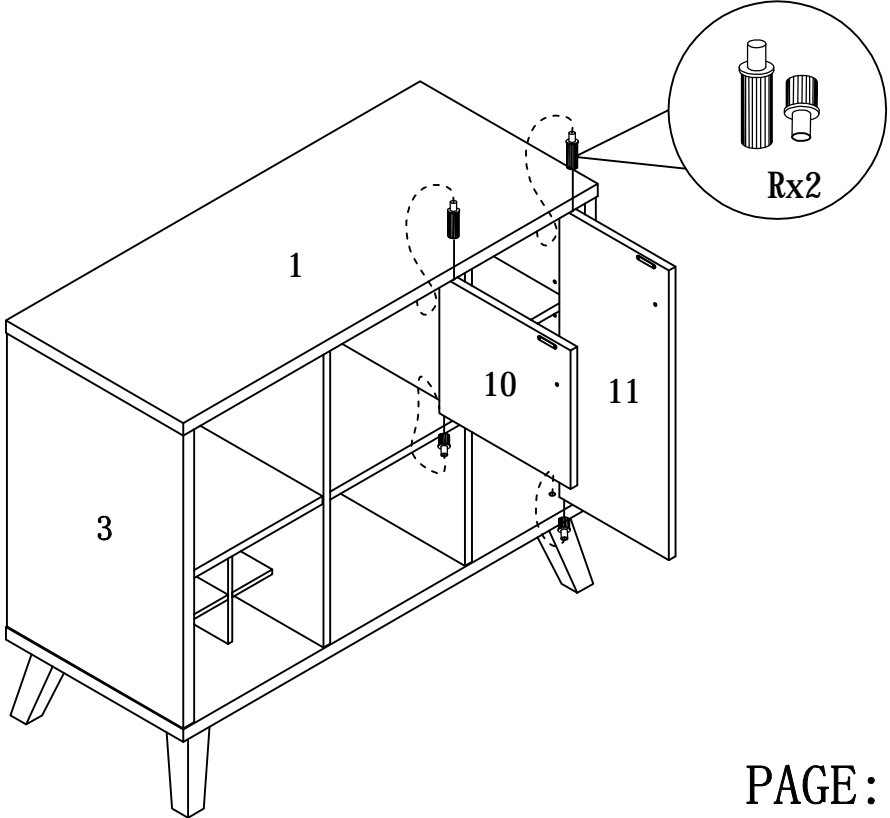
HARDWARE IDENTIFICATION

ITEM#: 161856



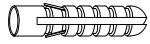
STEP13

STEP14

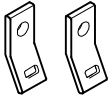


ANTI-TIPPING STRAP INSTRUCTION

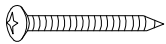
HARDWARE (INCLUDED) :



DRYWALL ANCHOR $\phi 8 \times 40$ X 1PC



METAL BRACKETS $12 \times 12 \times 1$ X 2PCS



DRYWALL SCREW $\phi 5 \times 40$ X 1PC

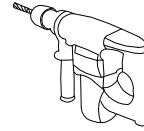


STRAP $197 \times 5 \times 1$ X 1PC

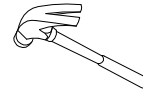


FLATHEAD SCREW $\phi 4 \times 25$ X 1PC

TOOLS NEEDED (NOT INCLUDED) :



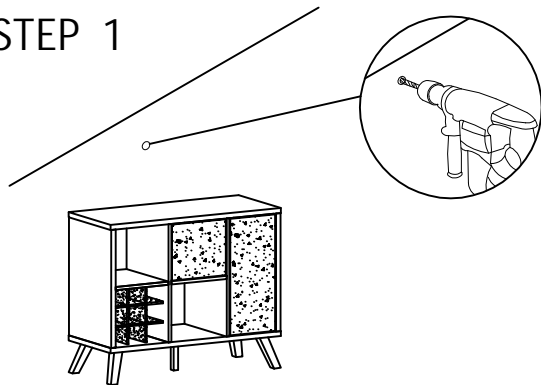
DRILL & DRILL BIT



LIGHT HAMMER

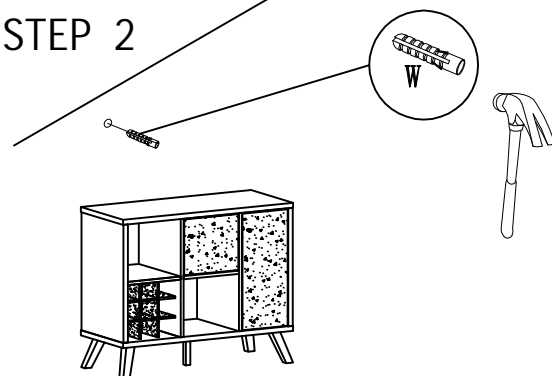
Note: Hardware included only compatible with standard drywalls.

STEP 1



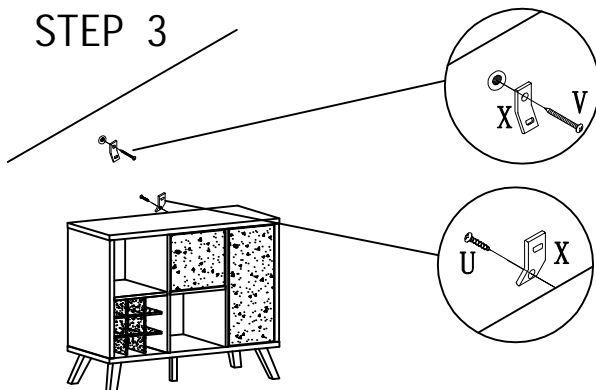
1. Find spot on wall 1" below top of item.
2. Using a drill bit slightly thinner than anchor, drill hole into drywall.

STEP 2



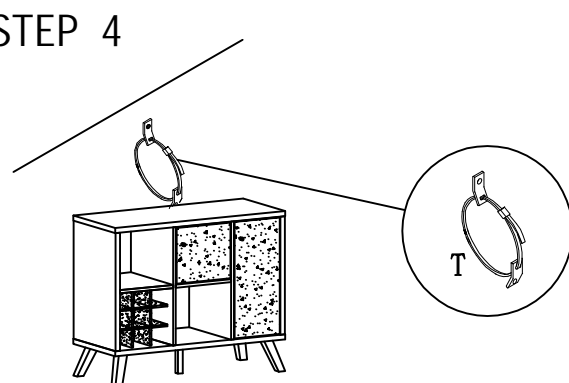
1. Use a light hammer to tap anchor into hole.
2. Anchor should fit snugly. If hole is too small, drill again to increase hole size. Do not force anchor into wall.

STEP 3



1. Insert drywall screw into metal bracket and into drywall anchor.
2. Insert flathead screw into second metal bracket and into back of item along top edge.

STEP 4



1. Insert strap thru bracket attached to wall, then thru bracket on item, and into head of strap.
 2. pull lightly til strap stops.
- Assembly is complete.