

# ASSEMBLY INSTRUCTION

---

## PLEASE READ BEFORE ASSEMBLING!

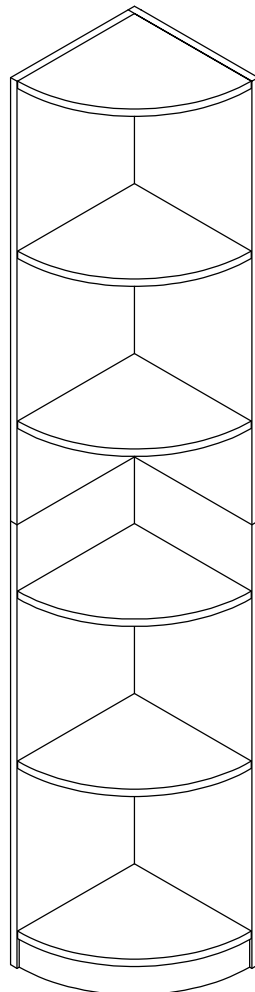
Tip #1: Make sure you've taken all the pieces and hardware out of its packaging before discarding the box.

Tip #2: Using page 2 and/or page 3 of instruction manual make sure all pieces and hardware are accounted for.

Tip #3: Read manual before assembling, it helps!

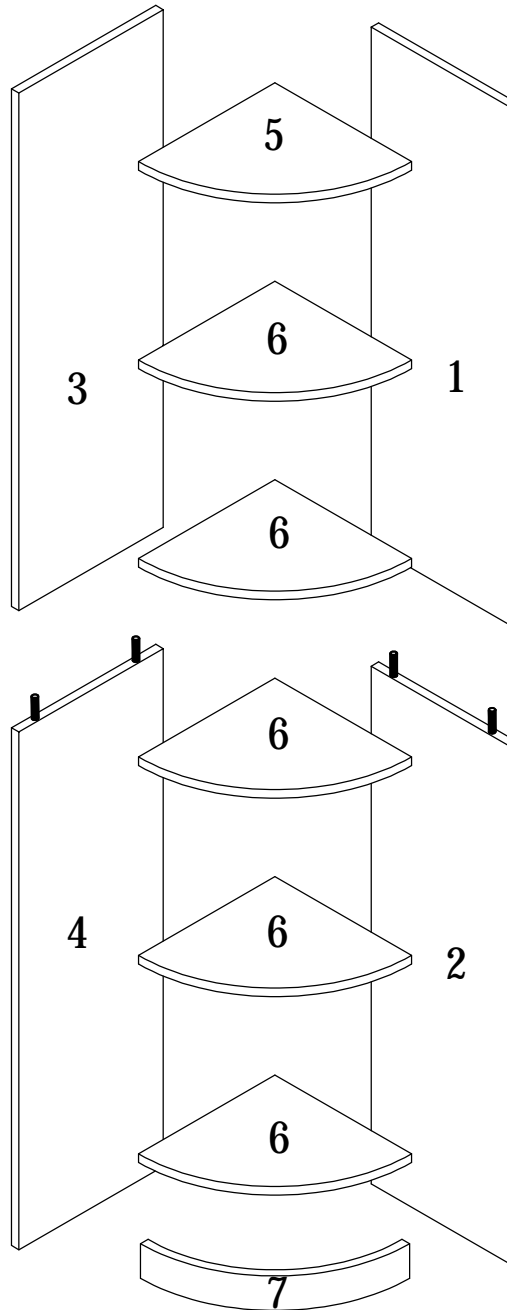
ITEM#: 171929-3A 171930-3A 171931-3A

Need some help?  
Scan here for  
assembly video.



# PARTS IDENTIFICATION

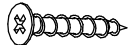
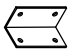

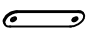


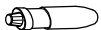
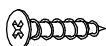

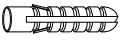


ITEM#: 171929-3A 171930-3A 171931-3A



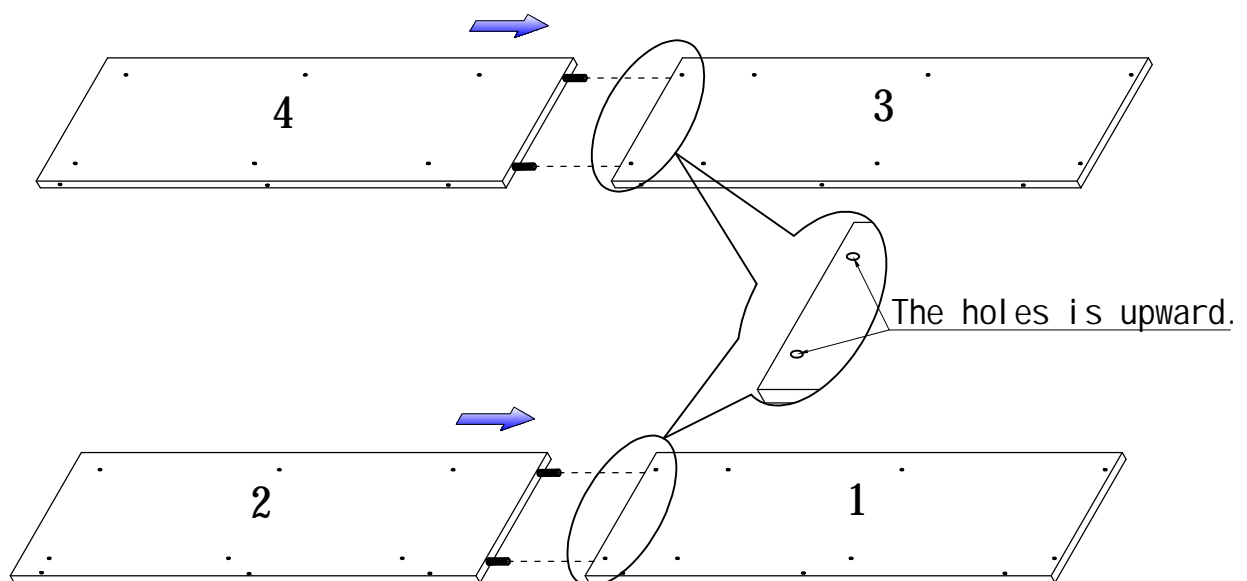
(1)	1pc	(4)	1pc
(2)	1pc	(5)	1pc
(3)	1pcs	(6)	5pcs
		(7)	1pc

# HARDWARE IDENTIFICATION

ITEM#: 171929-3A 171930-3A 171931-3A

A		$\phi 4 \times 35$	30pcs
B		$28 \times 20 \times 20$	3pcs
C		$\phi 3.5 \times 12$	20pcs
D			2pcs
E		$\phi 8 \times 25$	12pcs
F		$\phi 16$	4pcs
G		Glue: For securing please apply to wood dowel first before inserting into panel	1pc
H		$\phi 4 \times 25$	1pc
I		$\phi 5 \times 40$	1pc
J			1pc
K			1pc
L			2pc

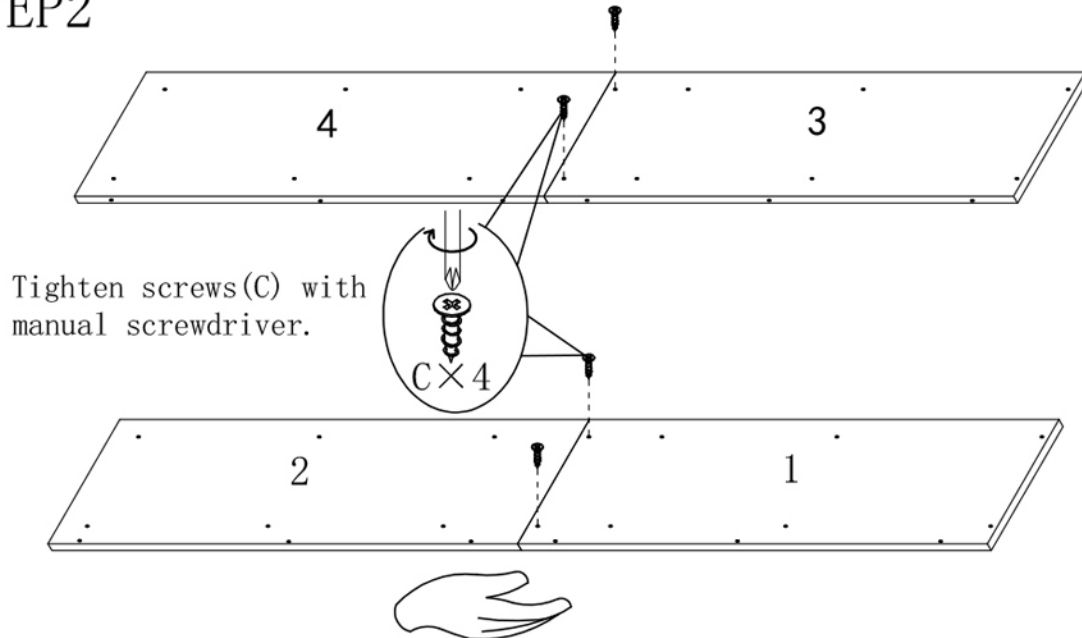
## STEP1



# ASSEMBLY INSTRUCTION

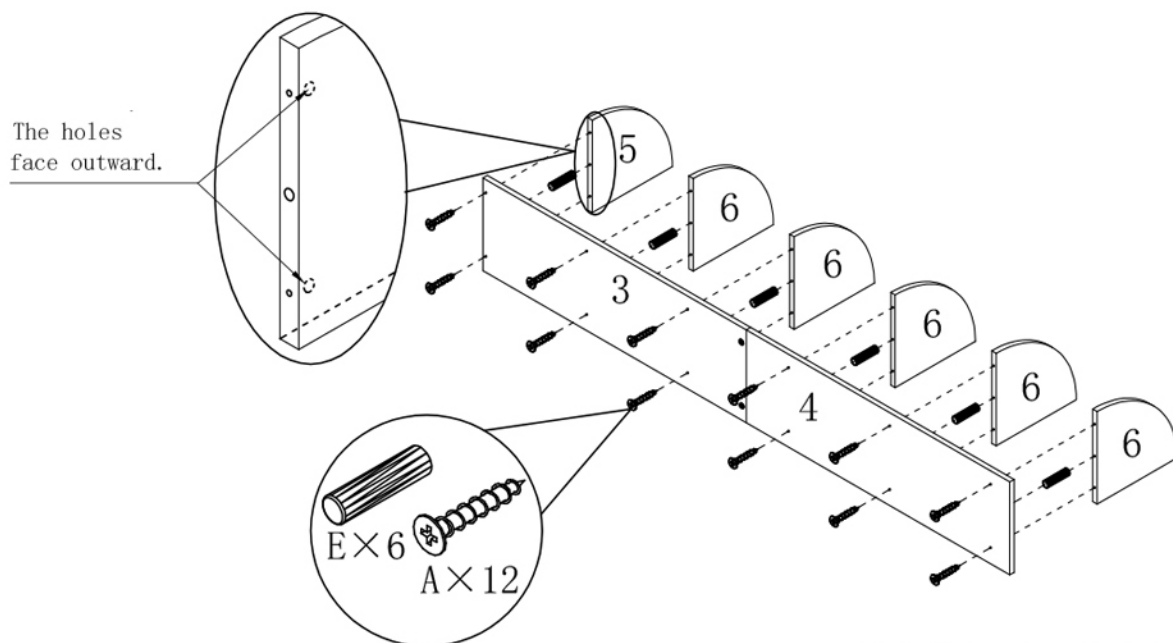
ITEM#: 171929-3A 171930-3A 171931-3A

## STEP2



Attention: please take the panel in the middle to avoid crack.

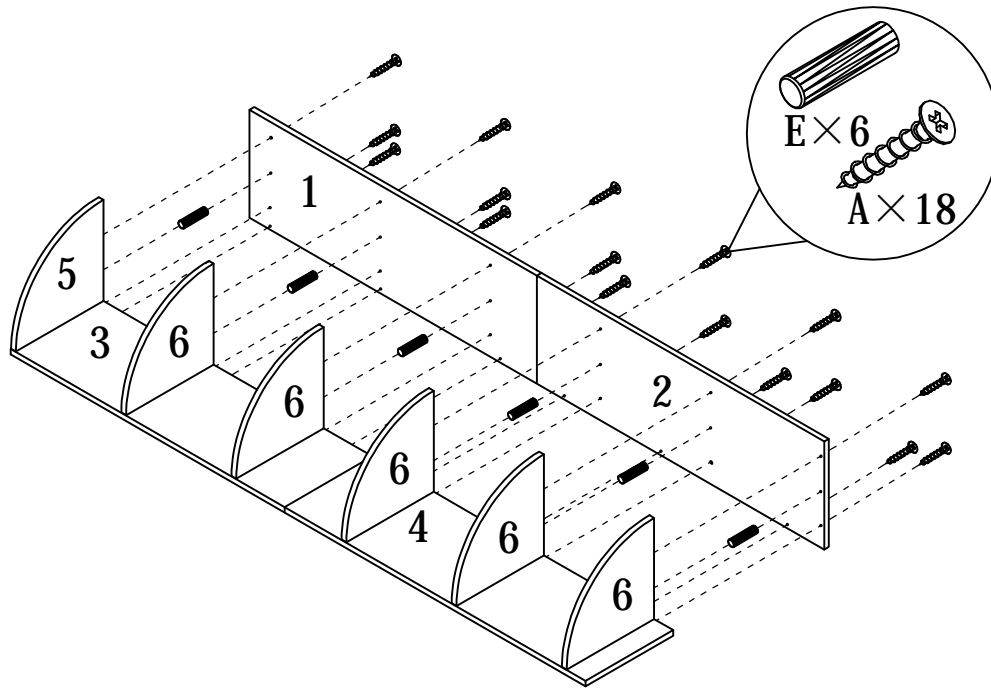
## STEP3



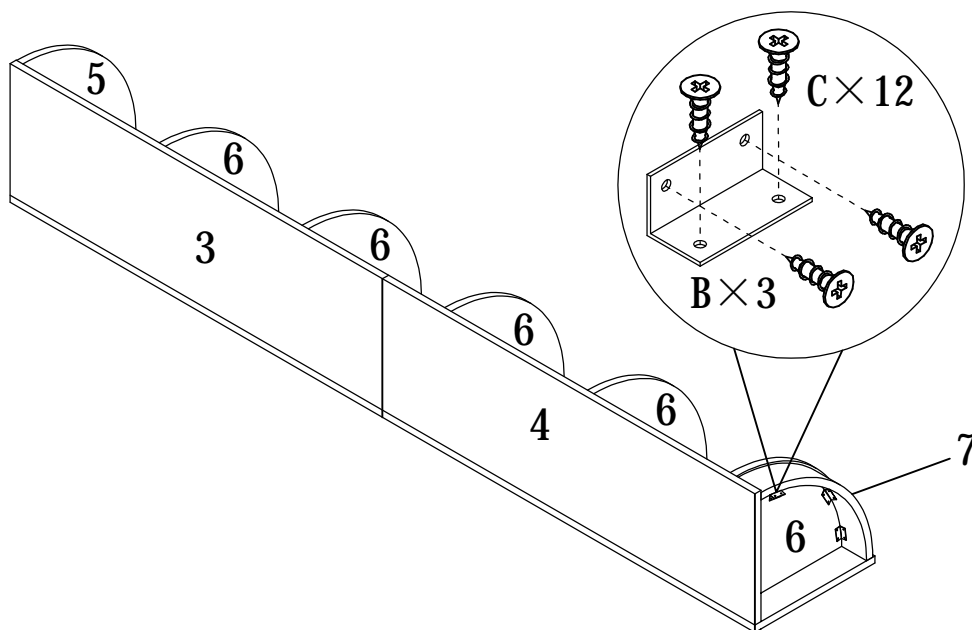
# ASSEMBLY INSTRUCTION

ITEM#: 171929-3A 171930-3A 171931-3A

## STEP4



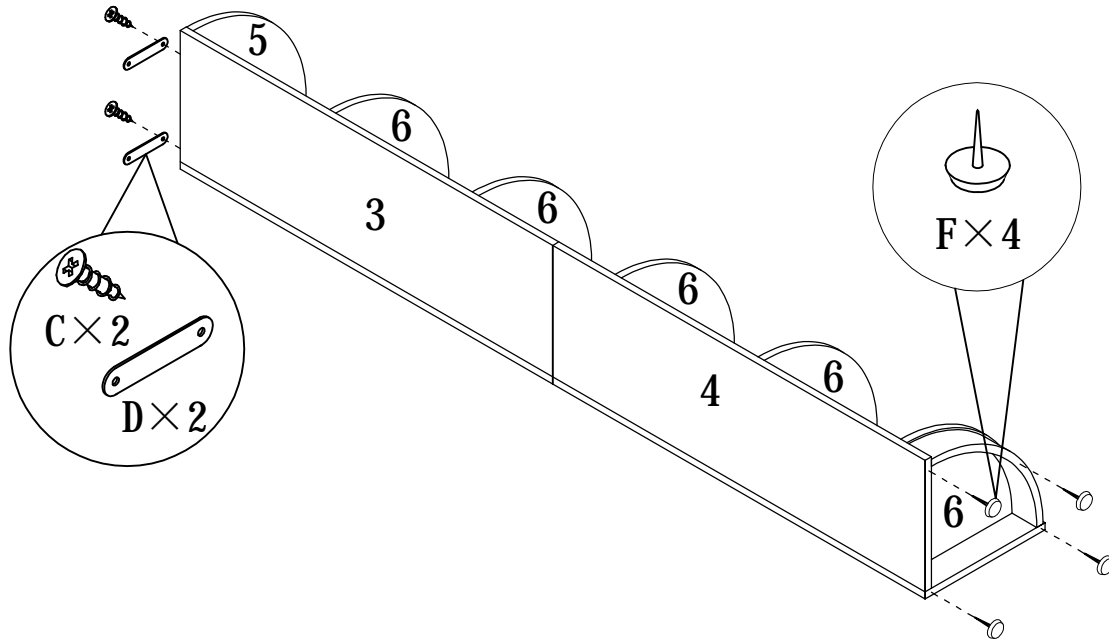
## STEP5



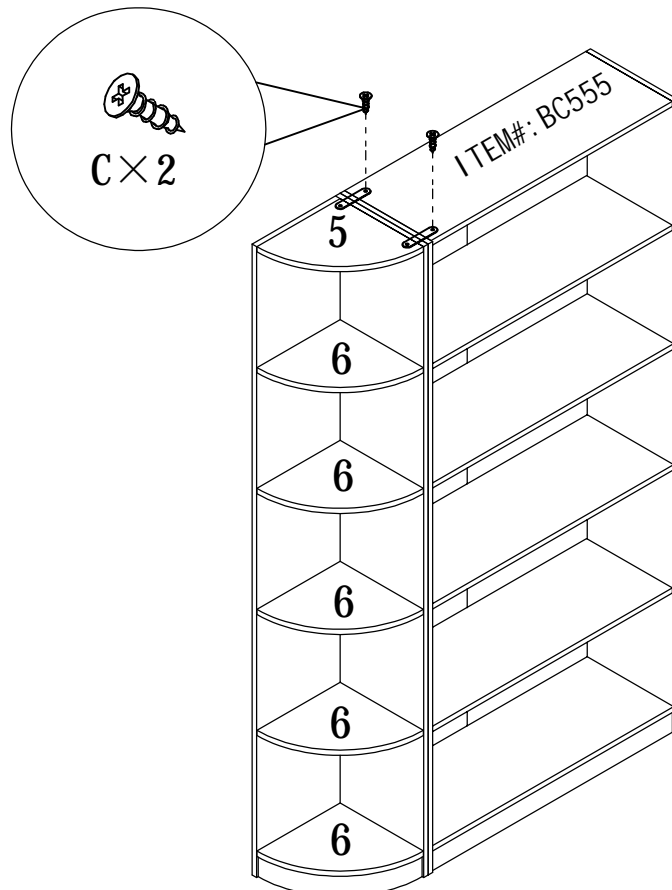
# ASSEMBLY INSTRUCTION

ITEM#: 171929-3A 171930-3A 171931-3A

## STEP6



## STEP7



# ANTI-TIPPING STRAP INSTRUCTION

## HARDWARE (INCLUDED):

 DRYWALL ANCHOR  $\phi 8 \times 40$  X 1PC

 METAL BRACKETS  $12 \times 12 \times 1$  X 2PCS

 DRYWALL SCREW  $\phi 5 \times 40$  X 1PC

 STRAP  $197 \times 5 \times 1$  X 1PC

 FLATHEAD SCREW  $\phi 4 \times 25$  X 1PC

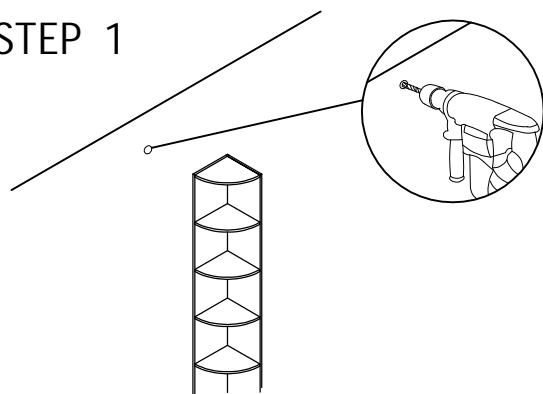
## TOOLS NEEDED ( NOT INCLUDED):

 DRILL & DRILL BIT

 LIGHT HAMMER

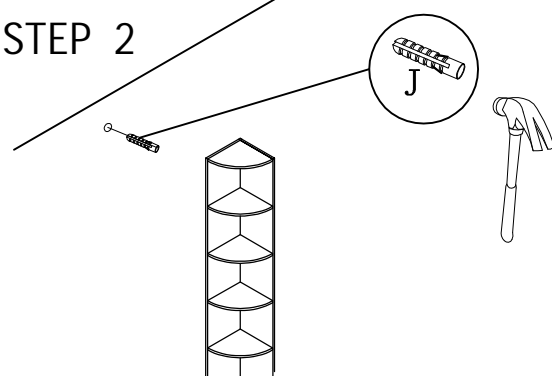
Note: Hardware included only compatible with standard drywalls.

### STEP 1



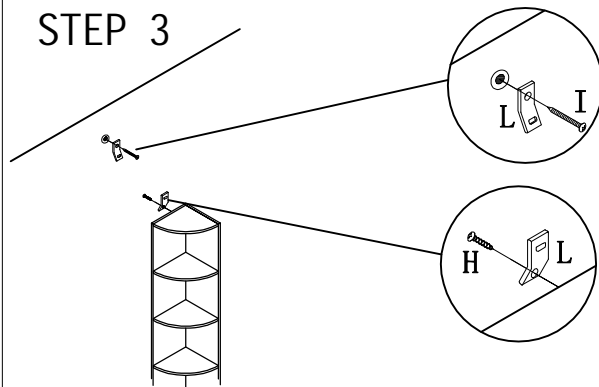
1. Find spot on wall 1" below top of item.
2. Using a drill bit slightly thinner than anchor, drill hole into drywall.

### STEP 2



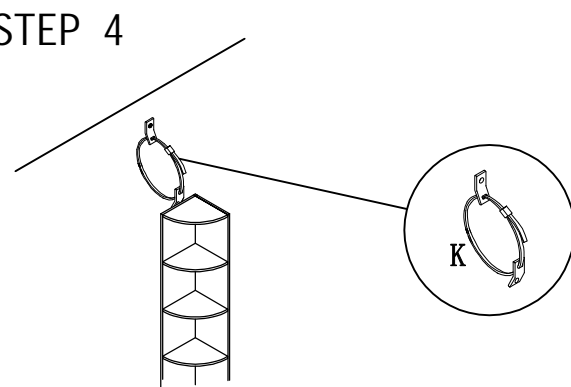
1. Use a light hammer to tap anchor into hole.
2. Anchor should fit snugly. If hole is too small, drill again to increase hole size. Do not force anchor into wall.

### STEP 3



1. Insert drywall screw into metal bracket and into drywall anchor.
2. Insert flathead screw into second metal bracket and into back of item along top edge.

### STEP 4



1. Insert strap thru bracket attached to wall, then thru bracket on item, and into head of strap.
  2. pull lightly til strap stops.
- Assembly is complete.