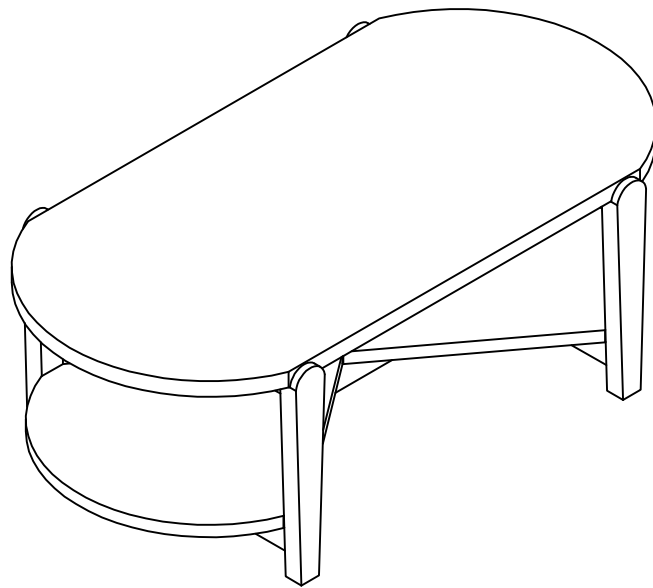


ASSEMBLY INSTRUCTION

ITEM#: 192469CT



ASSEMBLY INSTRUCTION

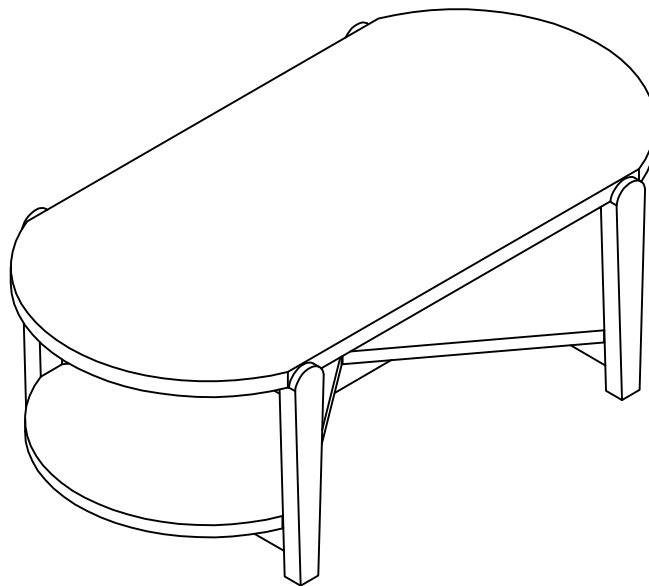
PLEASE READ BEFORE ASSEMBLING!

Tip #1: Make sure you've taken all the pieces and hardware out of its packaging before discarding the box.

Tip #2: Using page 2 and/or page 3 of instruction manual make sure all pieces and hardware are accounted for.

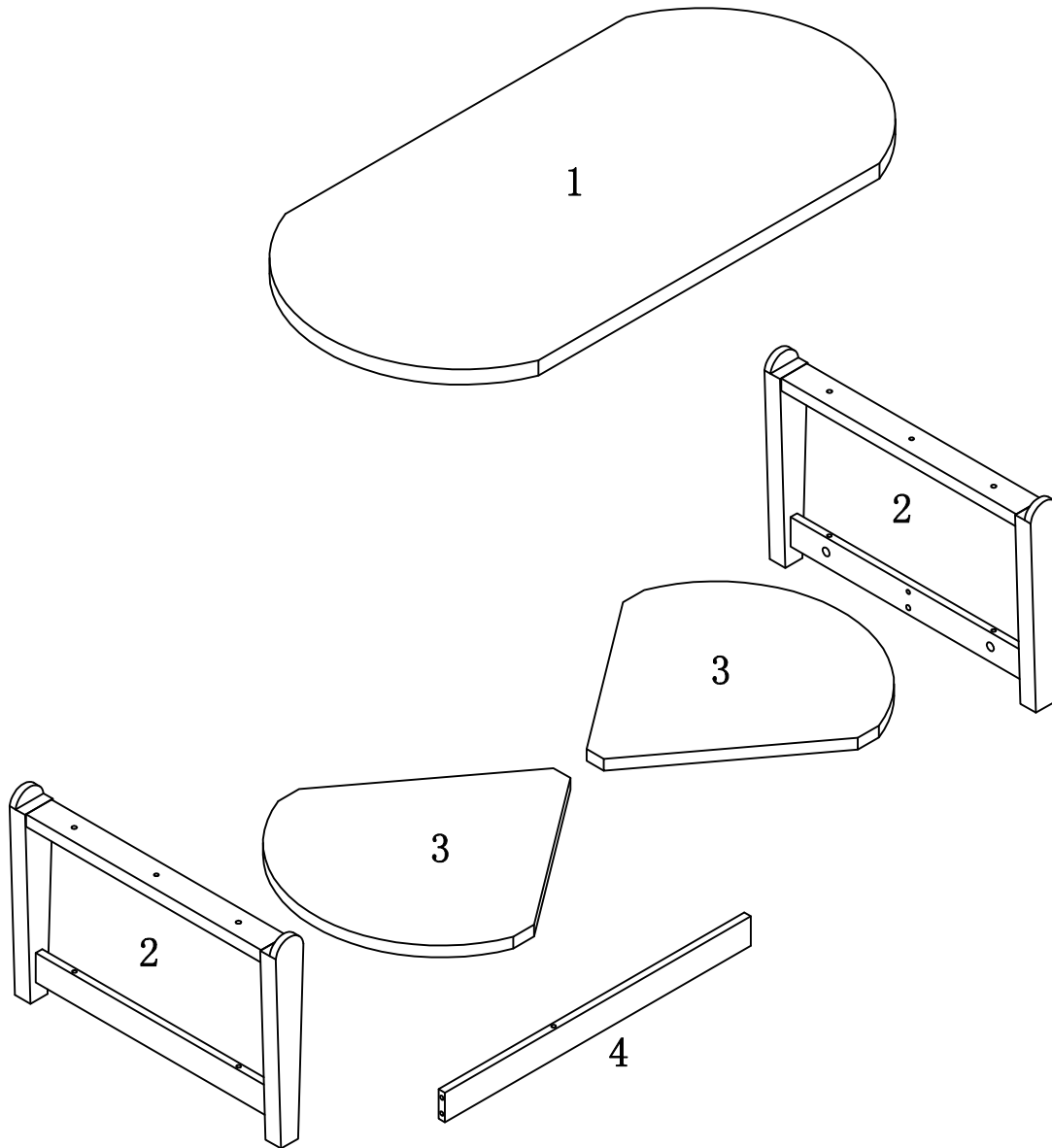
Tip #3: Read manual before assembling, it helps!

ITEM#: 192469CT



PARTS IDENTIFICATION

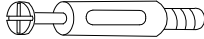


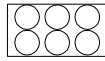





ITEM#: 192469CT



- | | |
|-----|------|
| (1) | 1pc |
| (2) | 2pcs |
| (3) | 2pcs |
| (4) | 1pc |

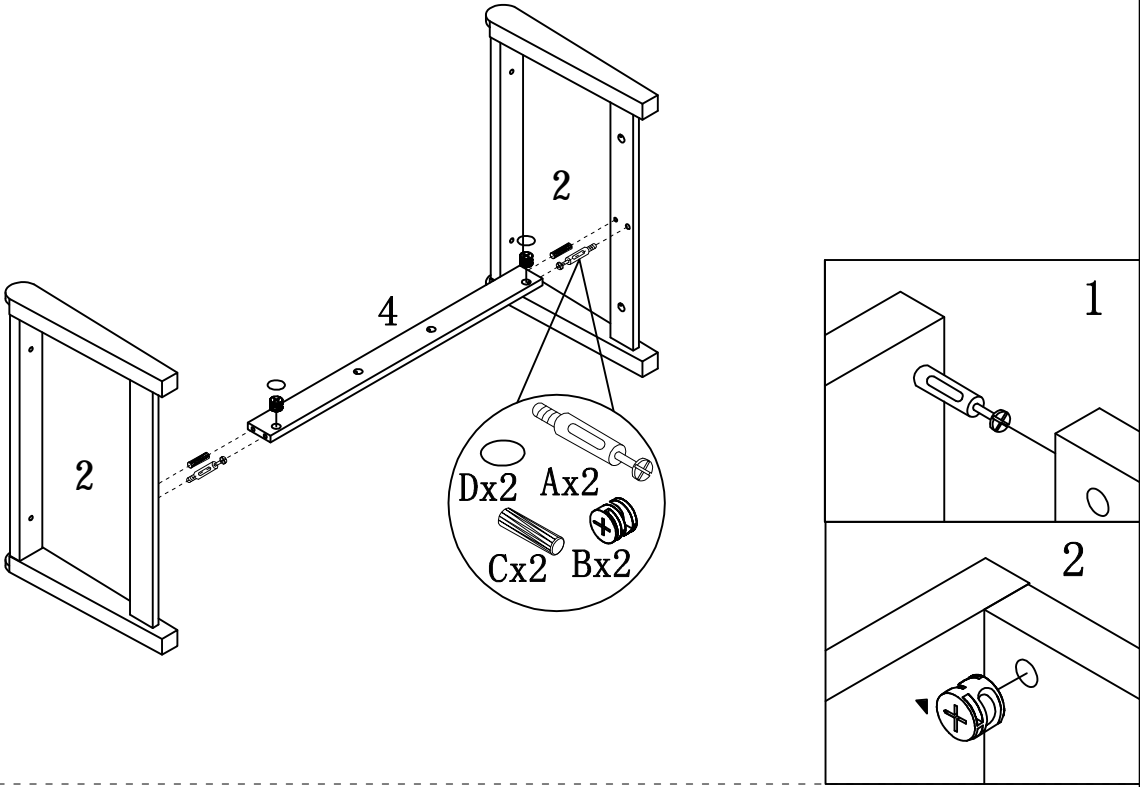
HARDWARE IDENTIFICATION

ITEM#: 192469CT

A		L29	8pcs
B		Ø15	8pcs
C		Ø8x25	4pcs
D		Ø22	8pcs
E		Ø16	4pcs
F		M8x40	4pcs
G		Ø8xØ16x2	4pcs
H			1pc
I		Glue: For securing please apply to wood dowel first before inserting into panel	1pc

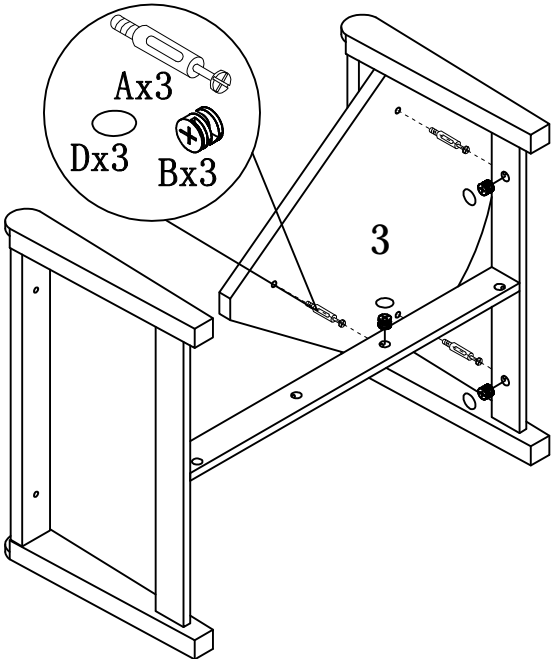
ASSEMBLY INSTRUCTION

ITEM#: 192469CT



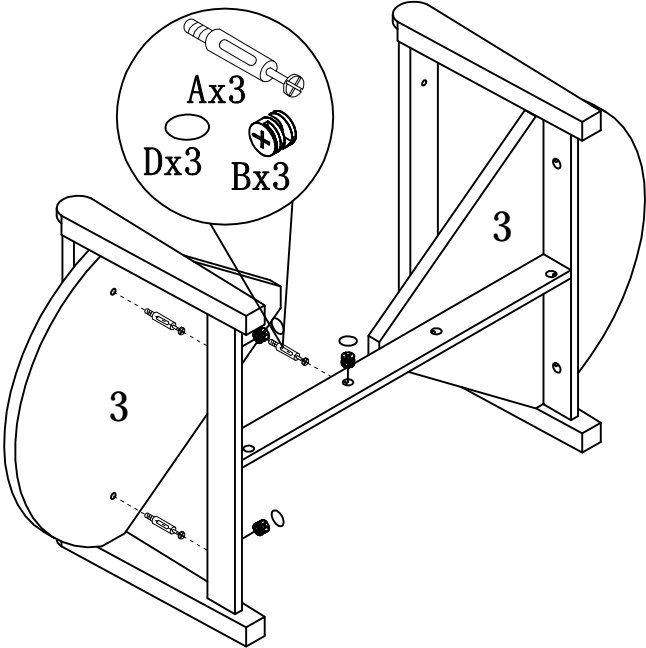
STEP 1

STEP 2



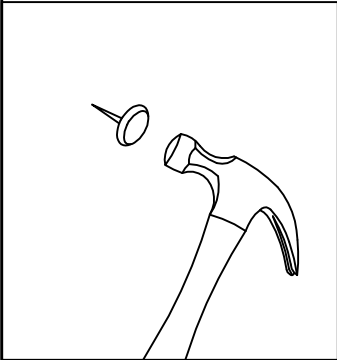
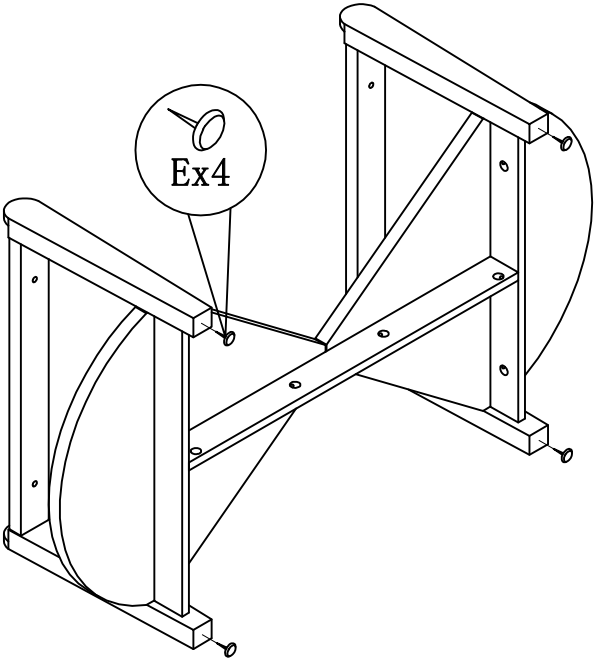
ASSEMBLY INSTRUCTION

ITEM#: 192469CT



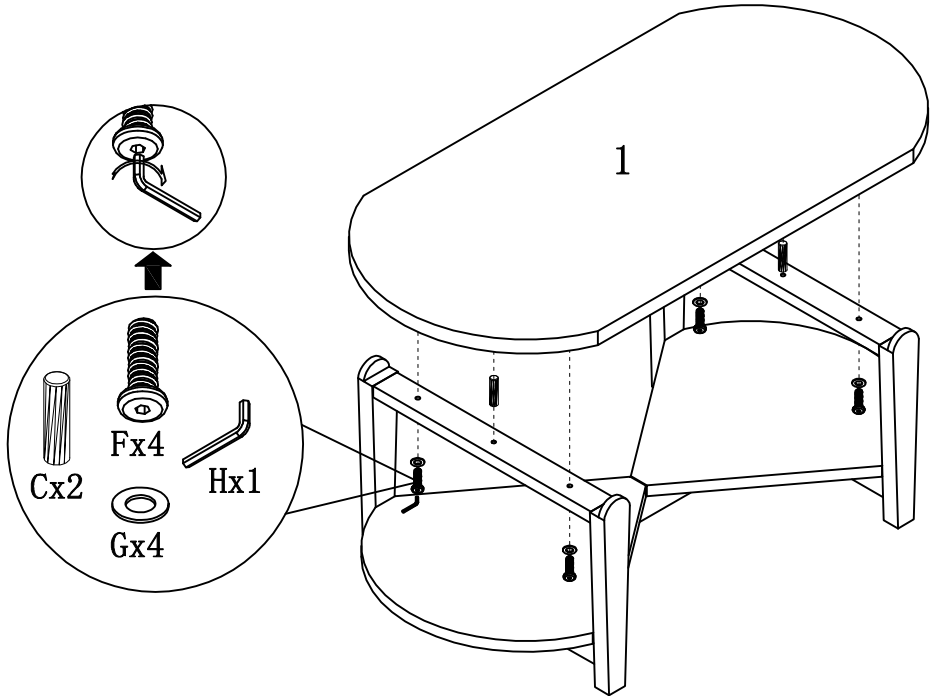
STEP3

STEP4



ASSEMBLY INSTRUCTION

ITEM#: 192469CT



STEP5

STEP6

