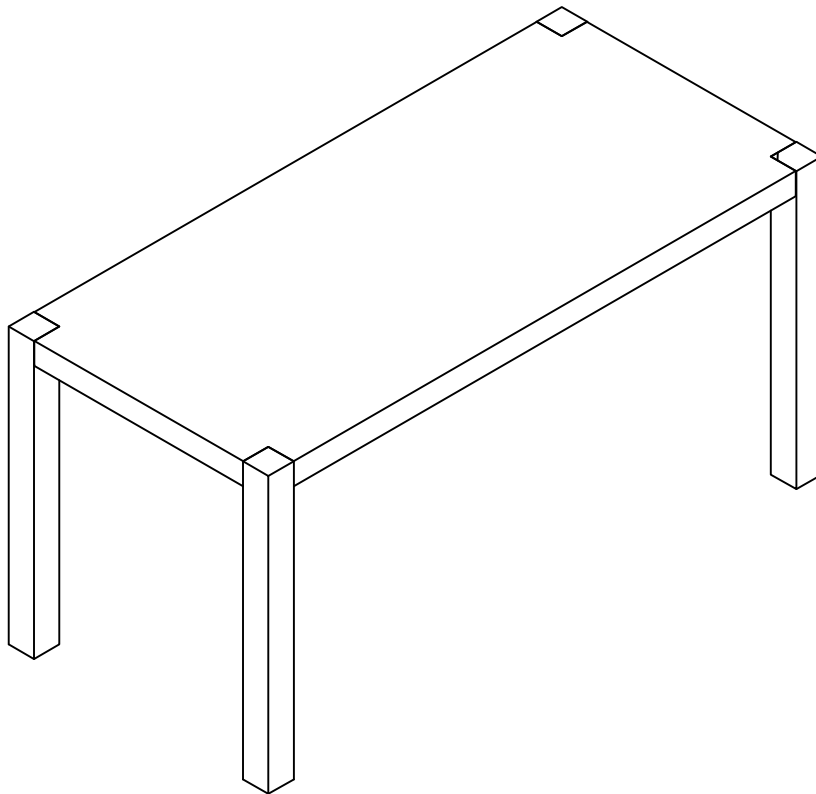


ASSEMBLY INSTRUCTION

ITEM#: 192479 192480



ASSEMBLY INSTRUCTION

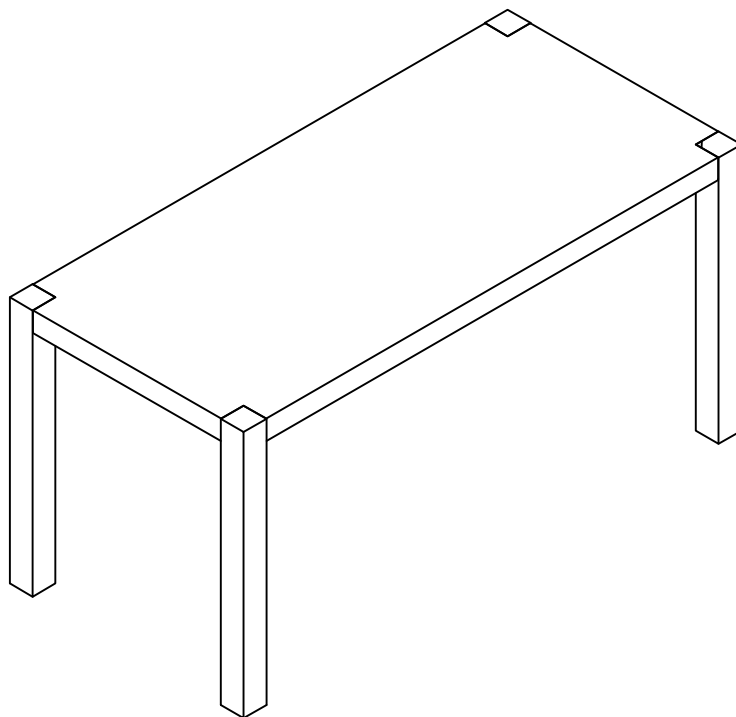
PLEASE READ BEFORE ASSEMBLING!

Tip #1: Make sure you've taken all the pieces and hardware out of its packaging before discarding the box.

Tip #2: Using page 2 and/or page 3 of instruction manual make sure all pieces and hardware are accounted for.

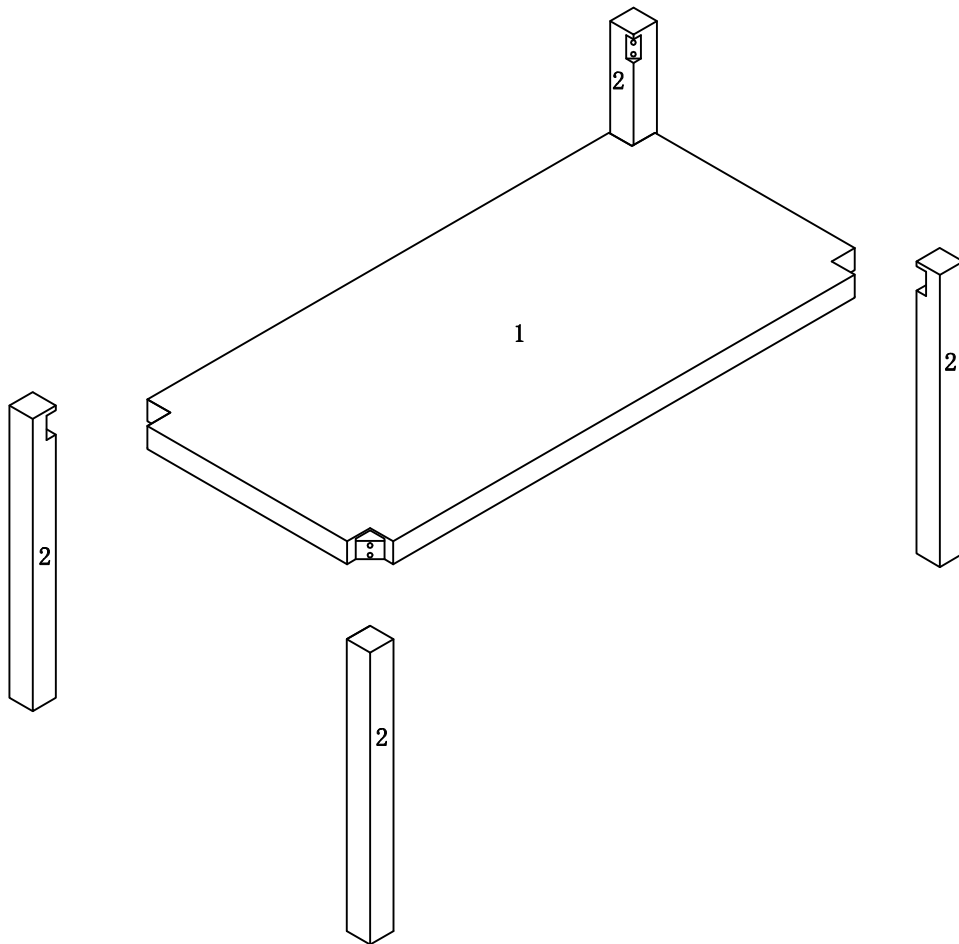
Tip #3: Read manual before assembling, it helps!

ITEM#: 192479 192480



PARTS IDENTIFICATION






ITEM#: 192479 192480



(1)	1pc
(2)	4pcs

HARDWARE IDENTIFICATION

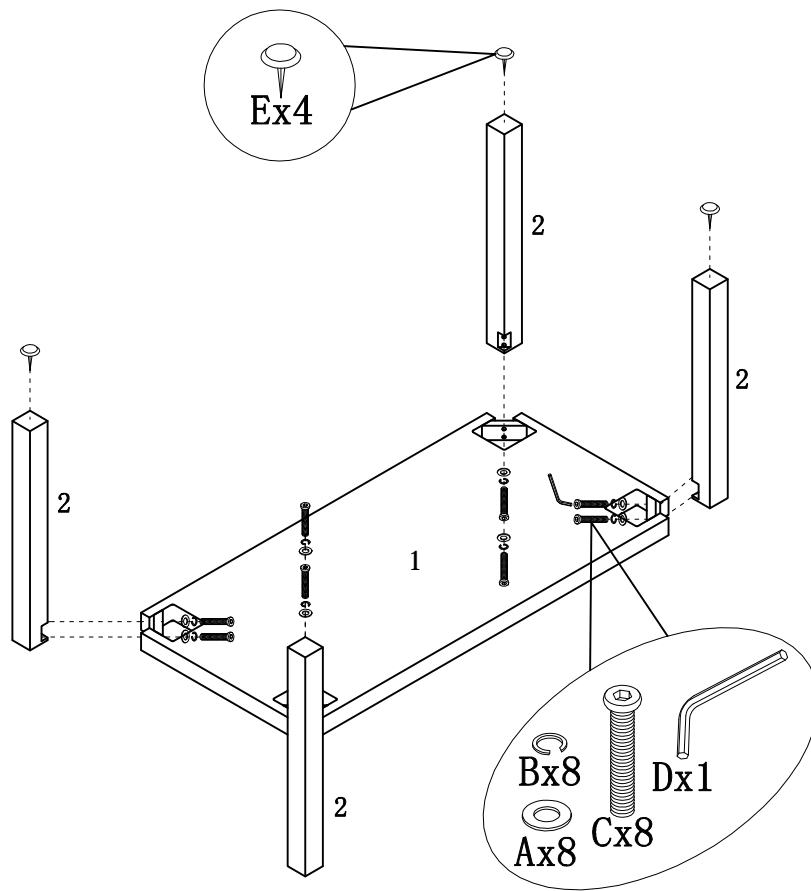
ITEM#: 192479 192480

A		$\phi 8 \times \phi 16 \times 2$	8pcs
B		M8	8pcs
C		M8x55	8pcs
D		M5	1pc
E		$\phi 25$	4pcs

ASSEMBLY INSTRUCTION

ITEM#: 192479 192480

STEP 1



STEP 2

