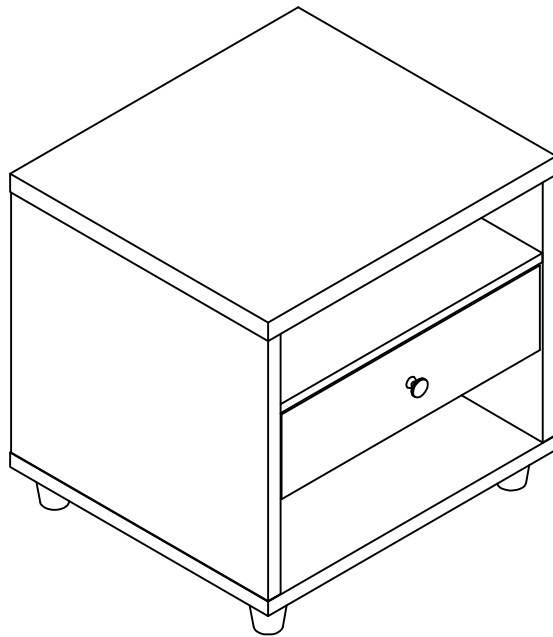


ASSEMBLY INSTRUCTION

ITEM#: 192640 ET



ASSEMBLY INSTRUCTION

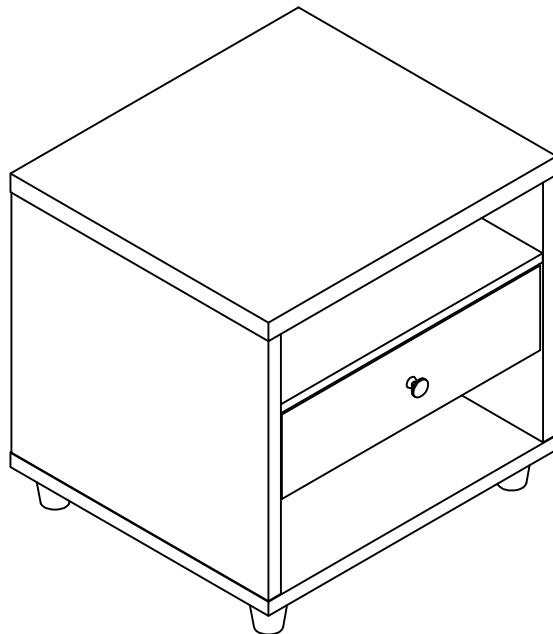
PLEASE READ BEFORE ASSEMBLING!

Tip #1: Make sure you've taken all the pieces and hardware out of its packaging before discarding the box.

Tip #2: Using page 2 and/or page 3 of instruction manual make sure all pieces and hardware are accounted for.

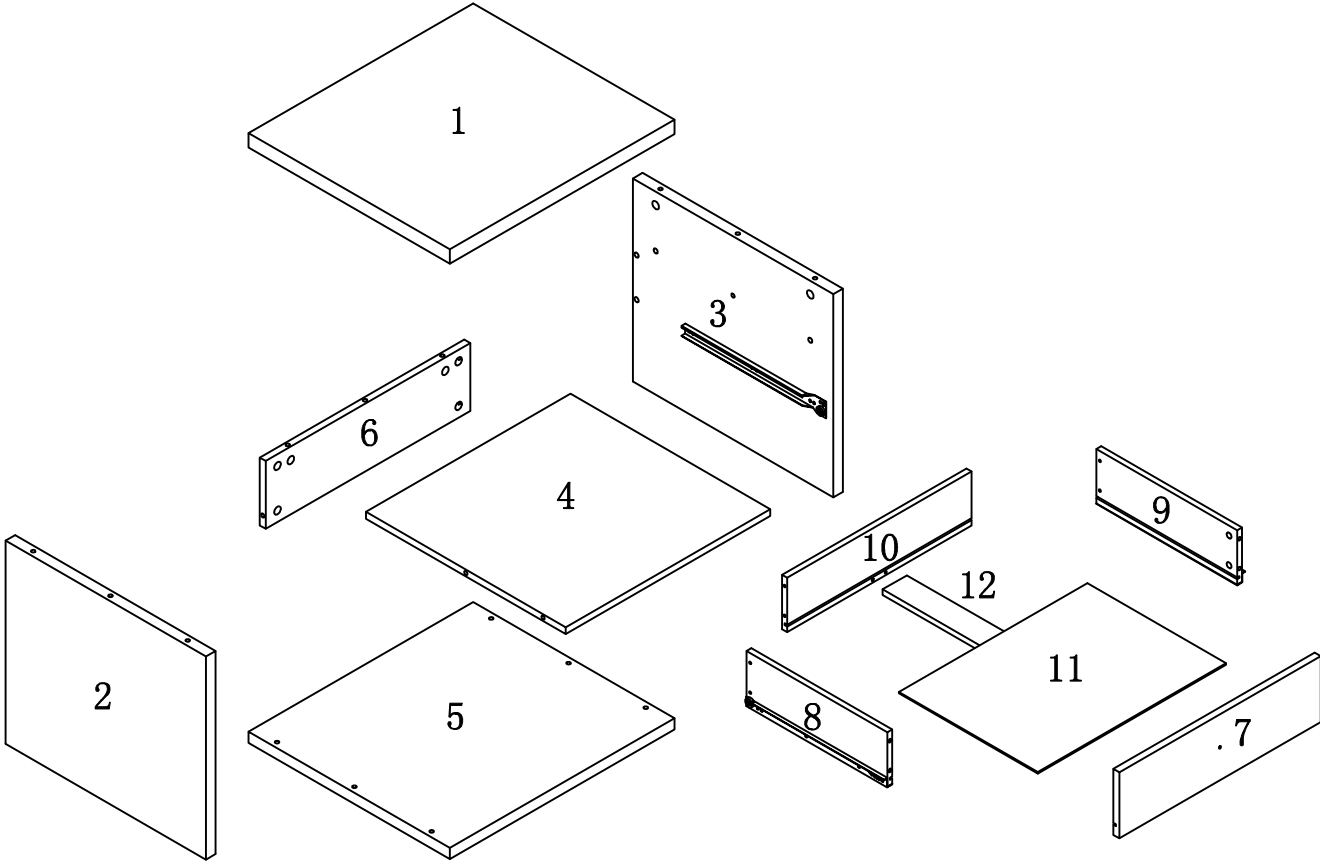
Tip #3: Read manual before assembling, it helps!

ITEM#: 192640 ET



PARTS IDENTIFICATION

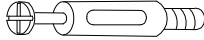


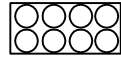
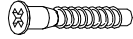




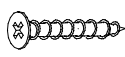
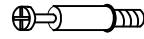

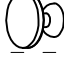

ITEM#:192640 ET



(1)	1pc	(8)	1pc
(2)	1pc	(9)	1pc
(3)	1pc	(10)	1pc
(4)	1pc	(11)	1pc
(5)	1pc	(12)	1pc
(6)	1pc		
(7)	1pc		

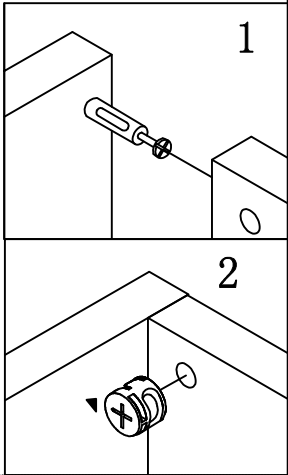
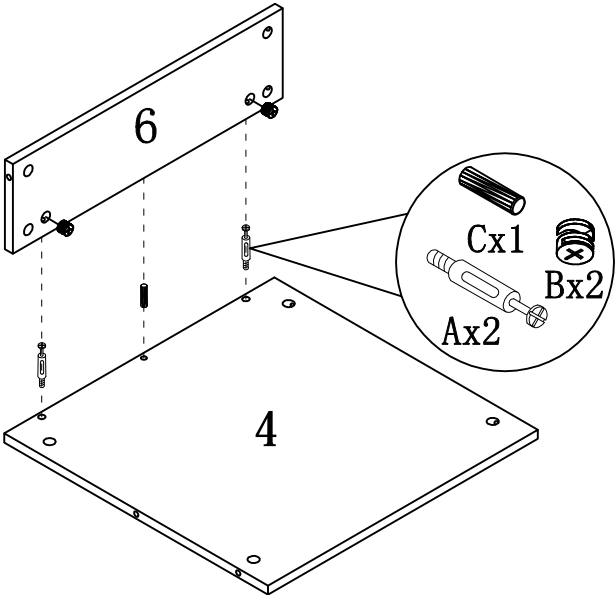
HARDWARE IDENTIFICATION

ITEM#: 192640 ET

A		L29	14pcs
B		Ø15	14pcs
C		Ø8x25	7pcs
D		Ø22	4pcs
E		Ø7x48	4pcs
F		Ø8xØ16x2	4pcs
G		Ø60x50	4pcs
H		Ø4x20	1pc
I		Ø6x30	2pcs
J		Ø4x30	6pcs
K		L20	4pcs
L		Ø12	4pcs
M		H1375	1pc
N		Glue: For securing please apply to wood dowel first before inserting into panel	1pc

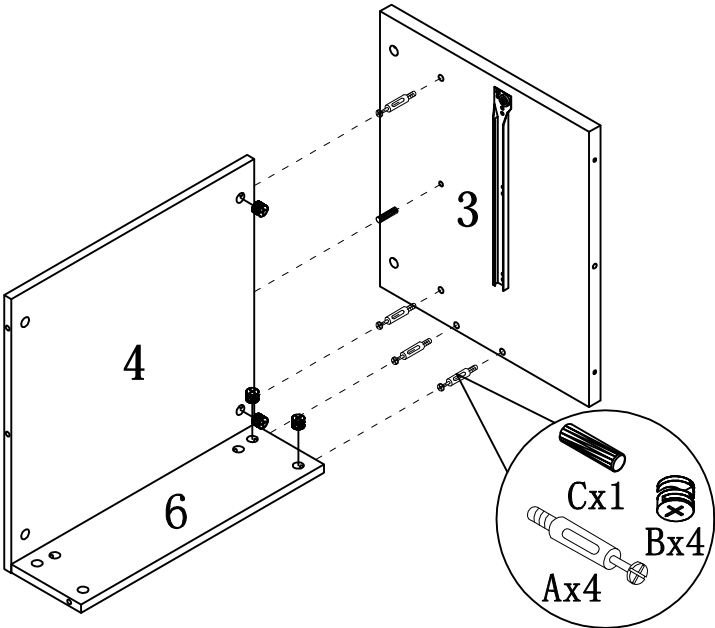
ASSEMBLY INSTRUCTION

ITEM#: 192640 ET



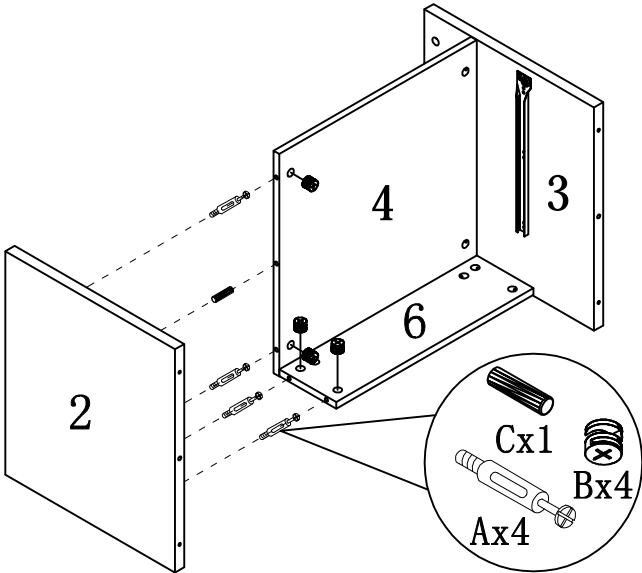
STEP 1

STEP 2



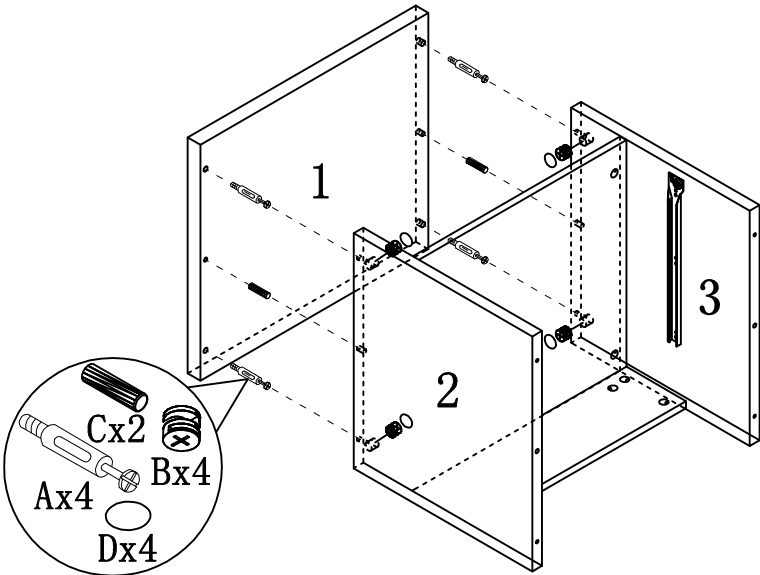
ASSEMBLY INSTRUCTION

ITEM#: 192640 ET



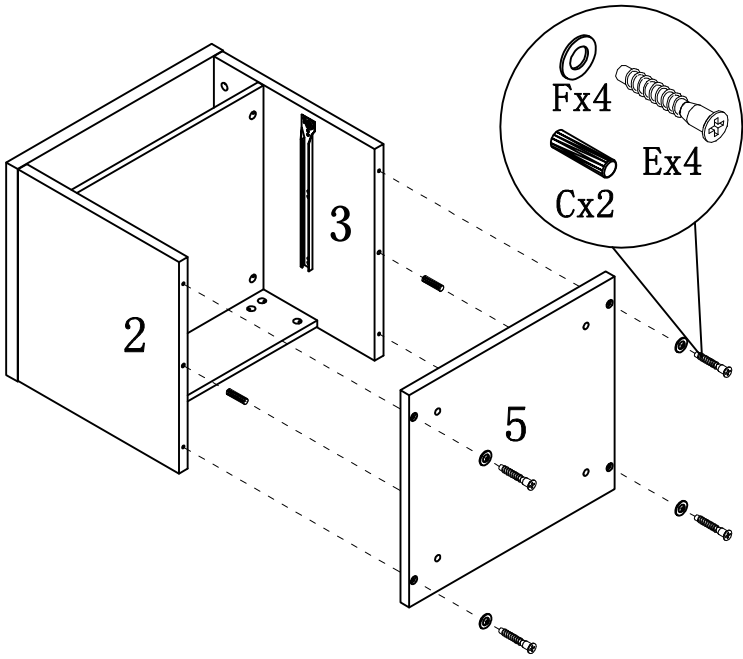
STEP3

STEP4



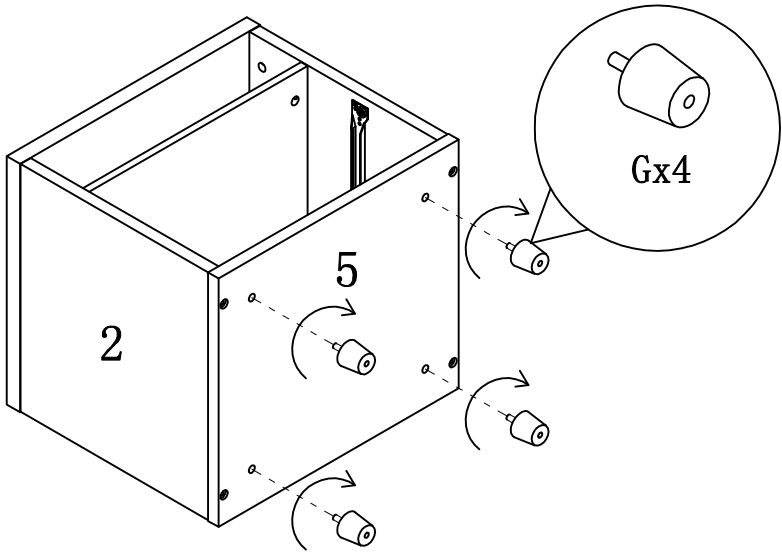
ASSEMBLY INSTRUCTION

ITEM#: 192640 ET



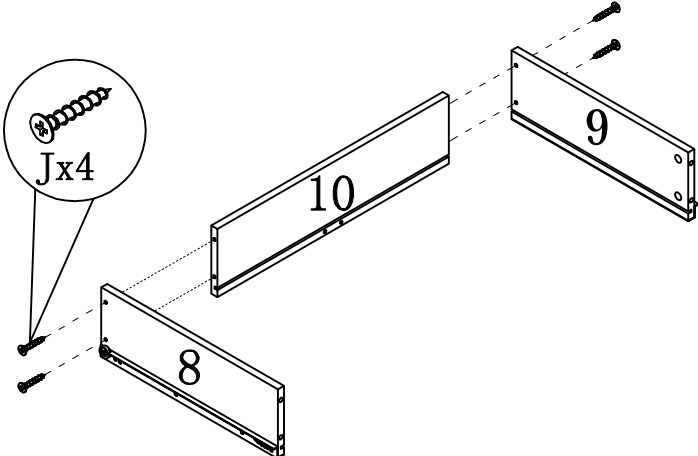
STEP5

STEP6



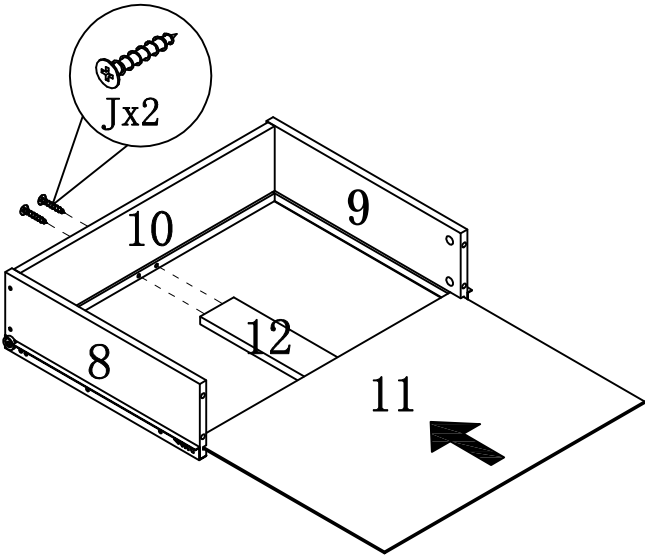
ASSEMBLY INSTRUCTION

ITEM#: 192640 ET



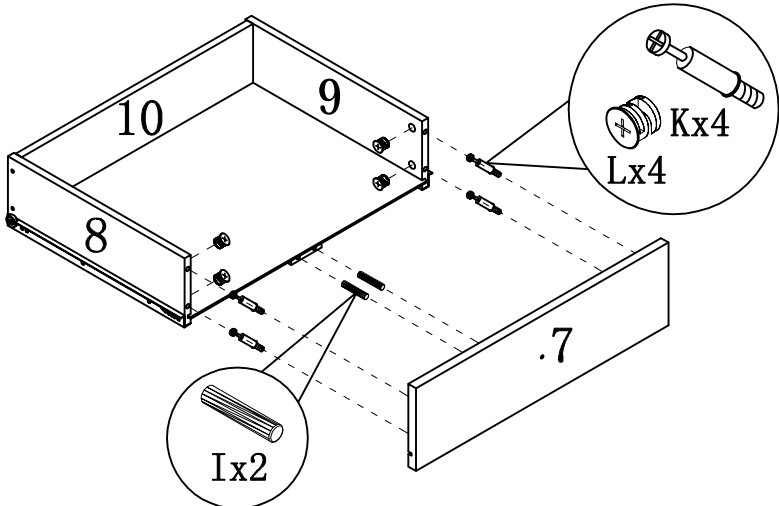
STEP7

STEP8



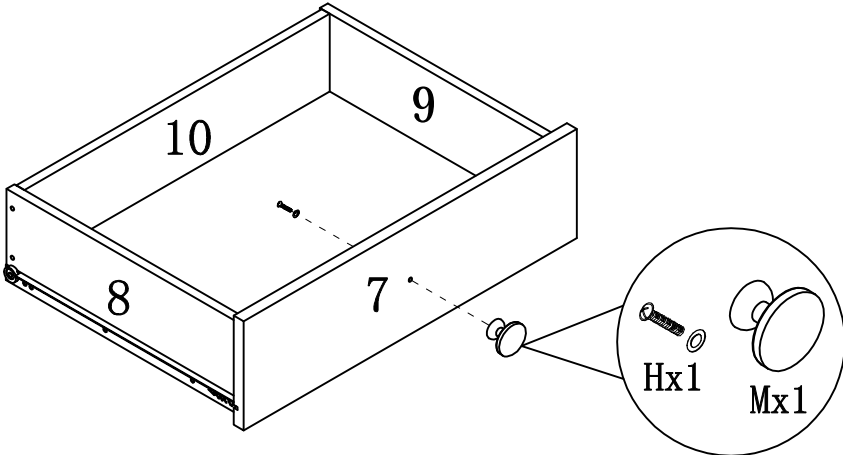
ASSEMBLY INSTRUCTION

ITEM#:192640 ET



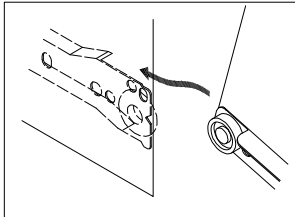
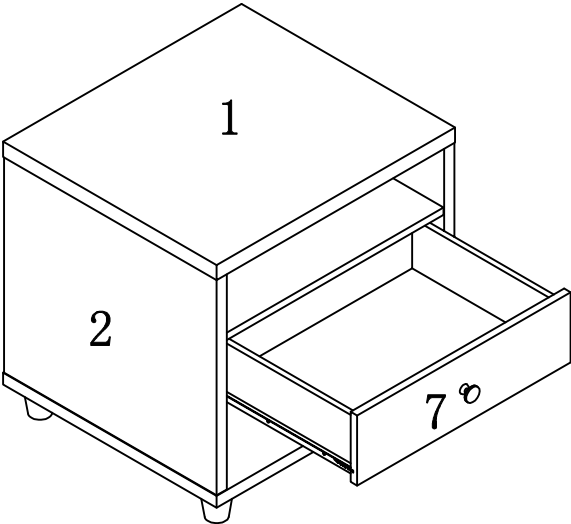
STEP9

STEP10



ASSEMBLY INSTRUCTION

ITEM#: 192640 ET



STEP 11

STEP 12

