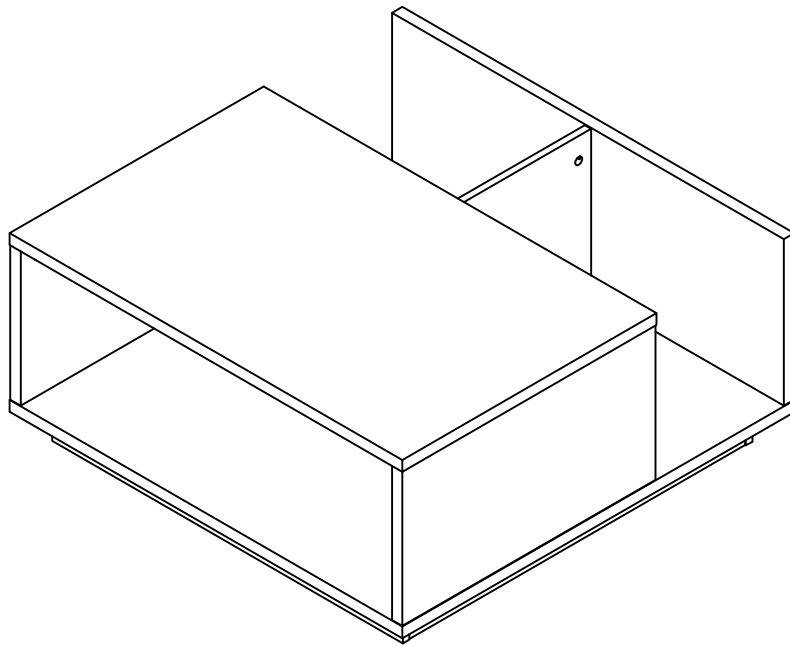


ASSEMBLY INSTRUCTION

ITEM#: 202725CT



ASSEMBLY I NSTRUCTION

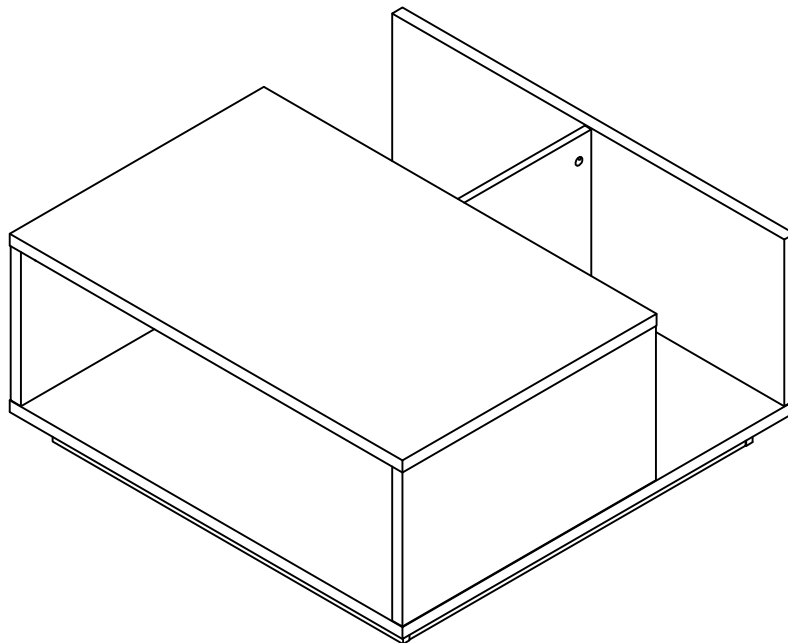
PLEASE READ BEFORE ASSEMBLING!

Tip #1: Make sure you've taken all the pieces and hardware out of its packaging before discarding the box. Assembly on top of flattened box/blanket is recommended.

Tip #2: Using page 2 and/or page 3 of instruction manual make sure all pieces and hardware are accounted for.

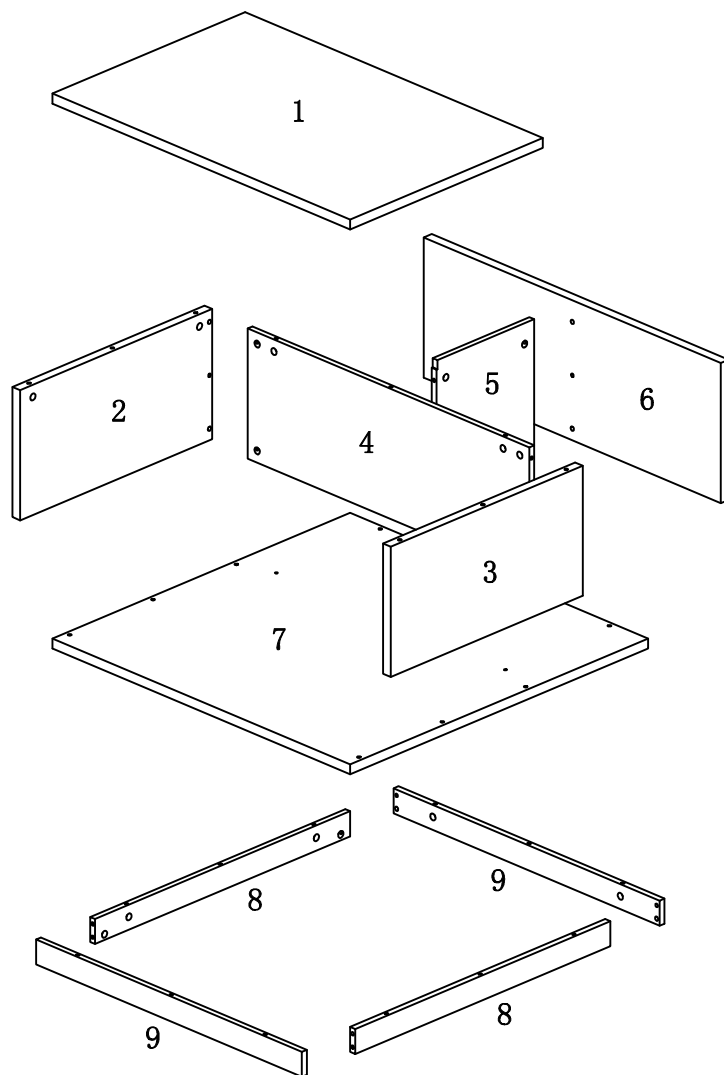
Tip #3: Note position of all holes on each panel during assembly .

ITEM#: 202725CT



PARTS IDENTIFICATION

ITEM#: 202725CT



(1)	1pc	(6)	1pc
(2)	1pc	(7)	1pc
(3)	1pc	(8)	2pcs
(4)	1pc	(9)	2pcs
(5)	1pc		

HARDWARE IDENTIFICATION

ITEM#: 202725CT

A
B
C
D
E
F
G
H
I



L29

26pcs



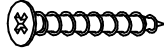
Ø15

26pcs



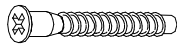
Ø8x25

19pcs



Ø4x45

4pcs



Ø7x48

6pcs



Ø16xØ8x2

6pcs



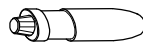
Ø16

8pcs



Ø22

14pcs

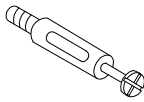
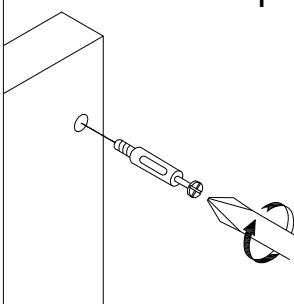
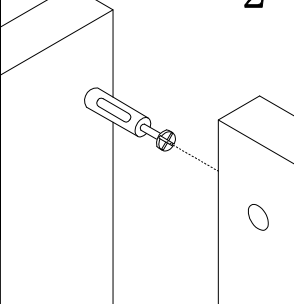
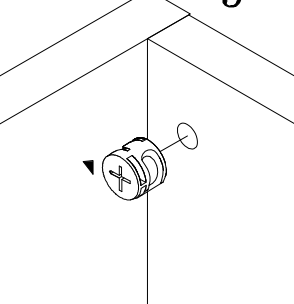
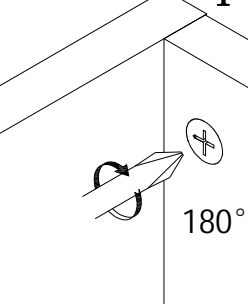



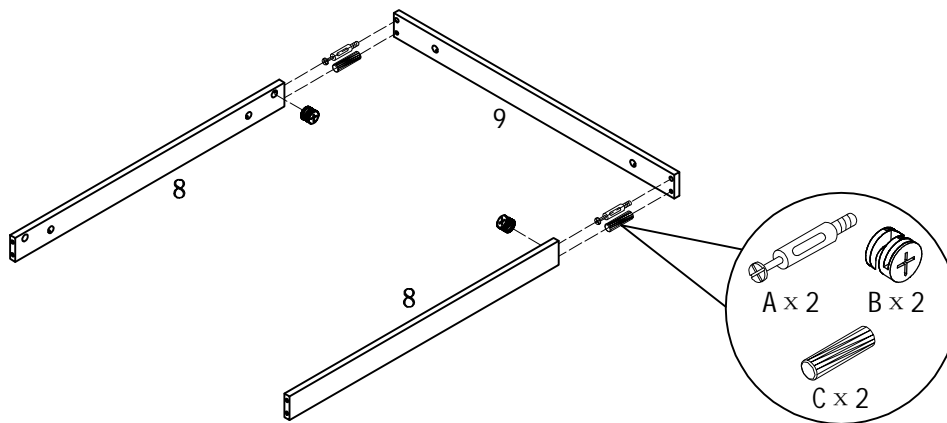
Glue: For securing please apply to wood
dowel first before inserting into panel

1pc

ASSEMBLY INSTRUCTION

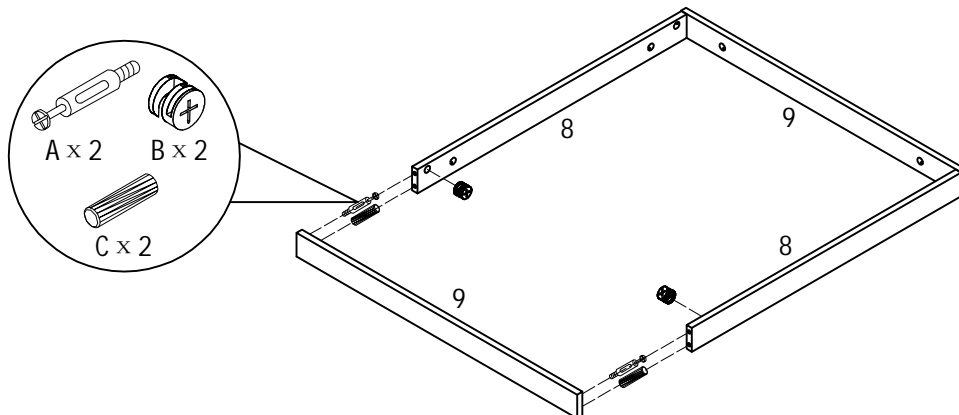
ITEM#: 202725CT

HOW TO	1	2	3	4
 Cam Bolt				
 Cam Lock	1. Screw Cam Bolt into panel.	2. Insert Cam Bolt into bolt hole of joining panel.	3. Insert Cam Lock. arrow facing bolt.	4. Gently turn Cam Lock clockwise to lock position.



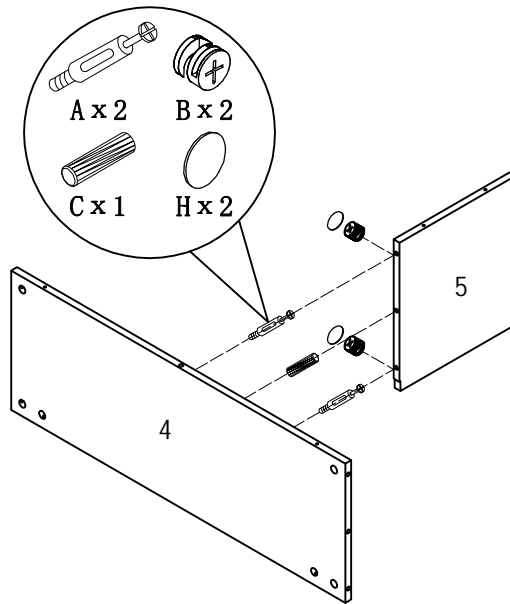
STEP1

STEP2



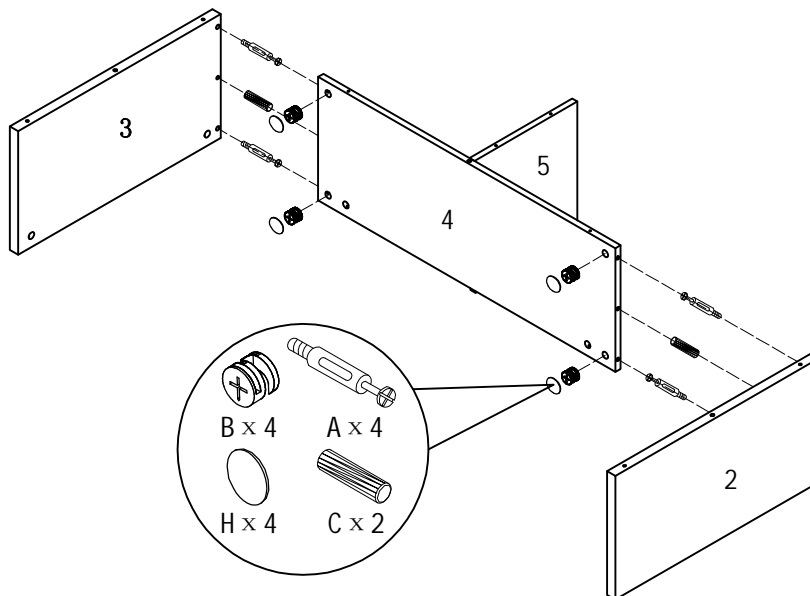
ASSEMBLY INSTRUCTION

ITEM#: 202725CT



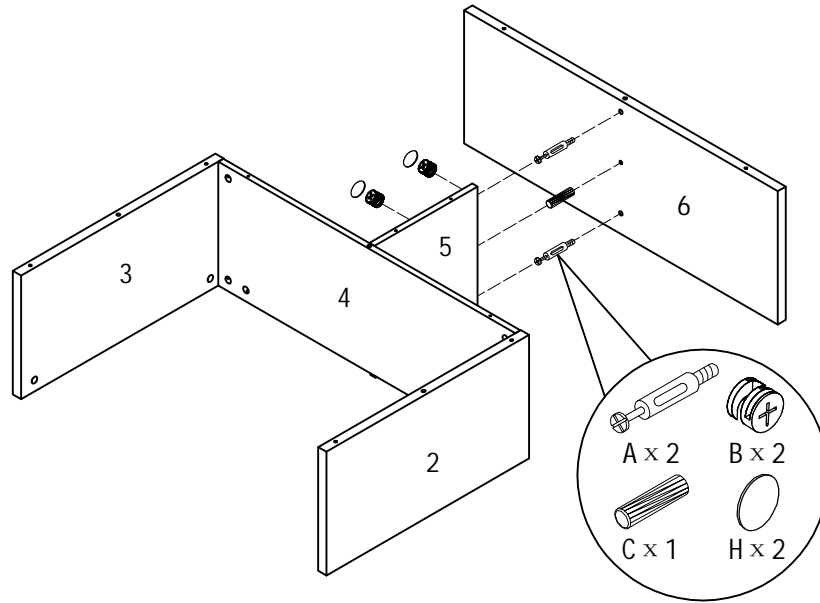
STEP3

STEP4



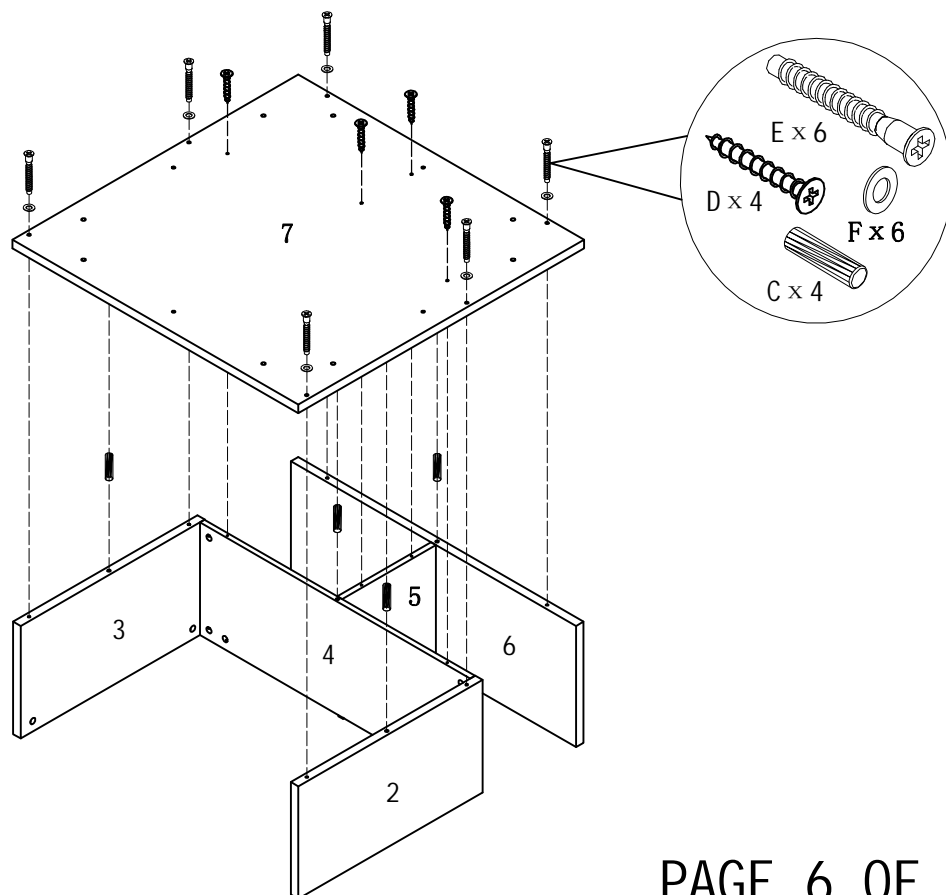
ASSEMBLY INSTRUCTION

ITEM#: 202725CT



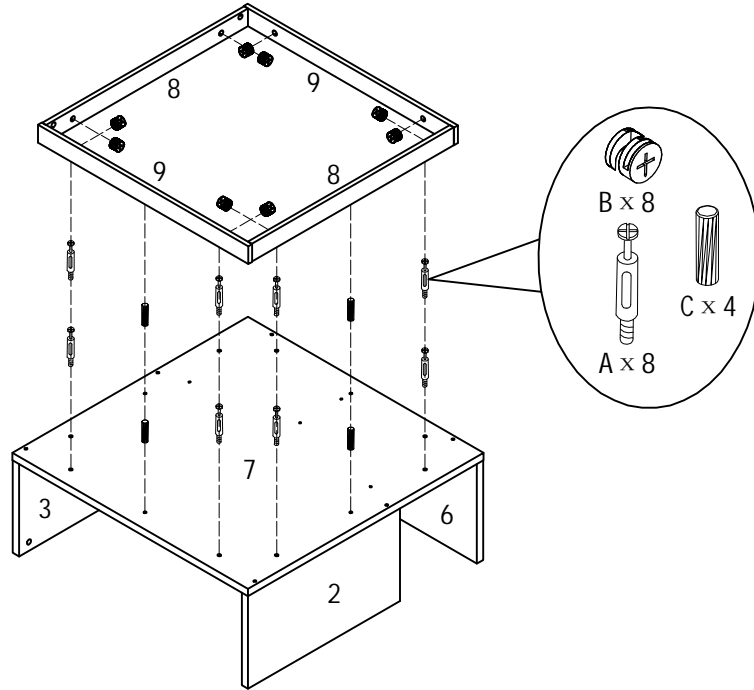
STEP5

STEP6



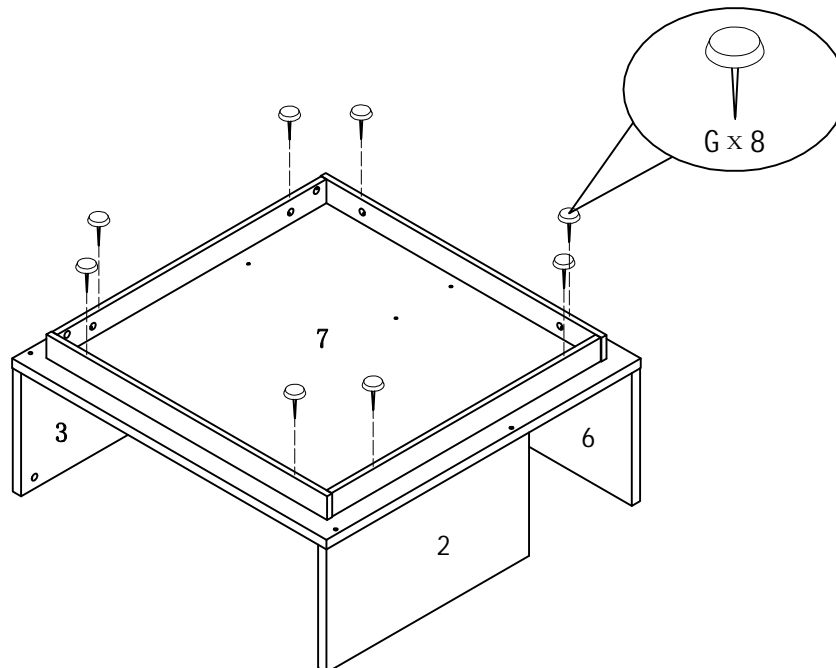
ASSEMBLY INSTRUCTION

ITEM#: 202725CT



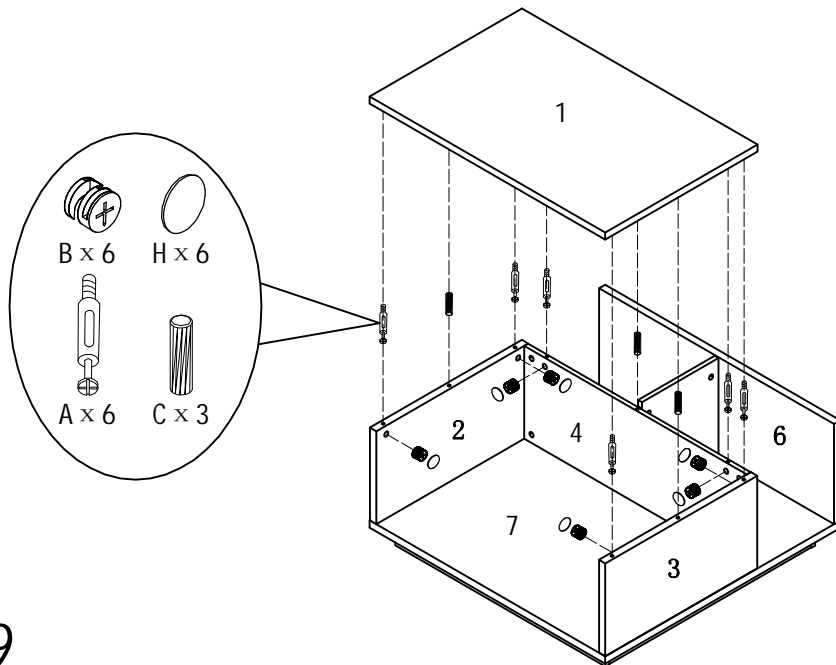
STEP 7

STEP 8



ASSEMBLY INSTRUCTION

ITEM#: 202725CT



STEP9

STEP10

