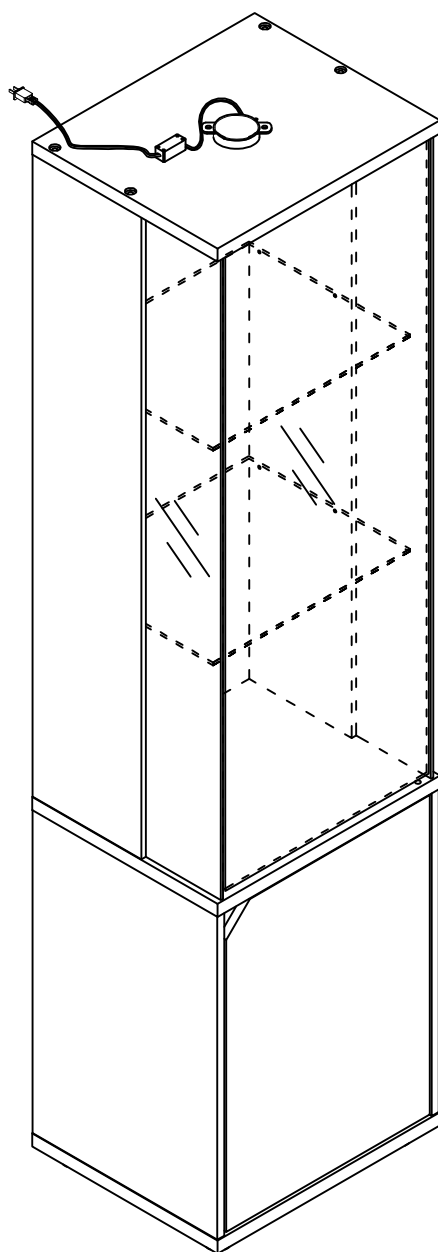


ASSEMBLY INSTRUCTION

ITEM#: 202736 202737



ASSEMBLY INSTRUCTION

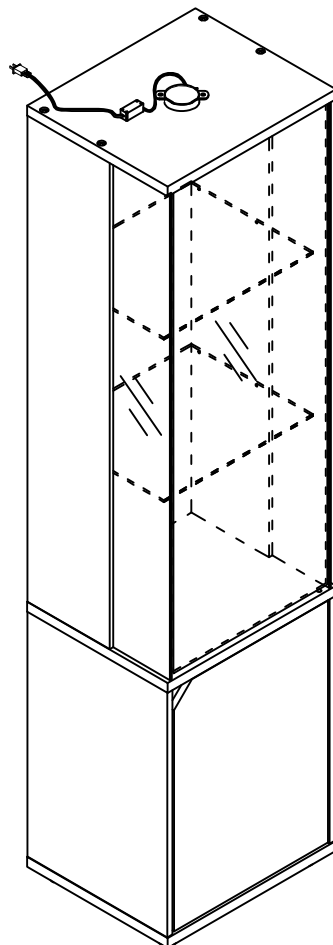
PLEASE READ BEFORE ASSEMBLING!

Tip #1: Make sure you've taken all the pieces and hardware out of its packaging before discarding the box.

Tip #2: Using page 2 and/or page 3 of instruction manual make sure all pieces and hardware are accounted for.

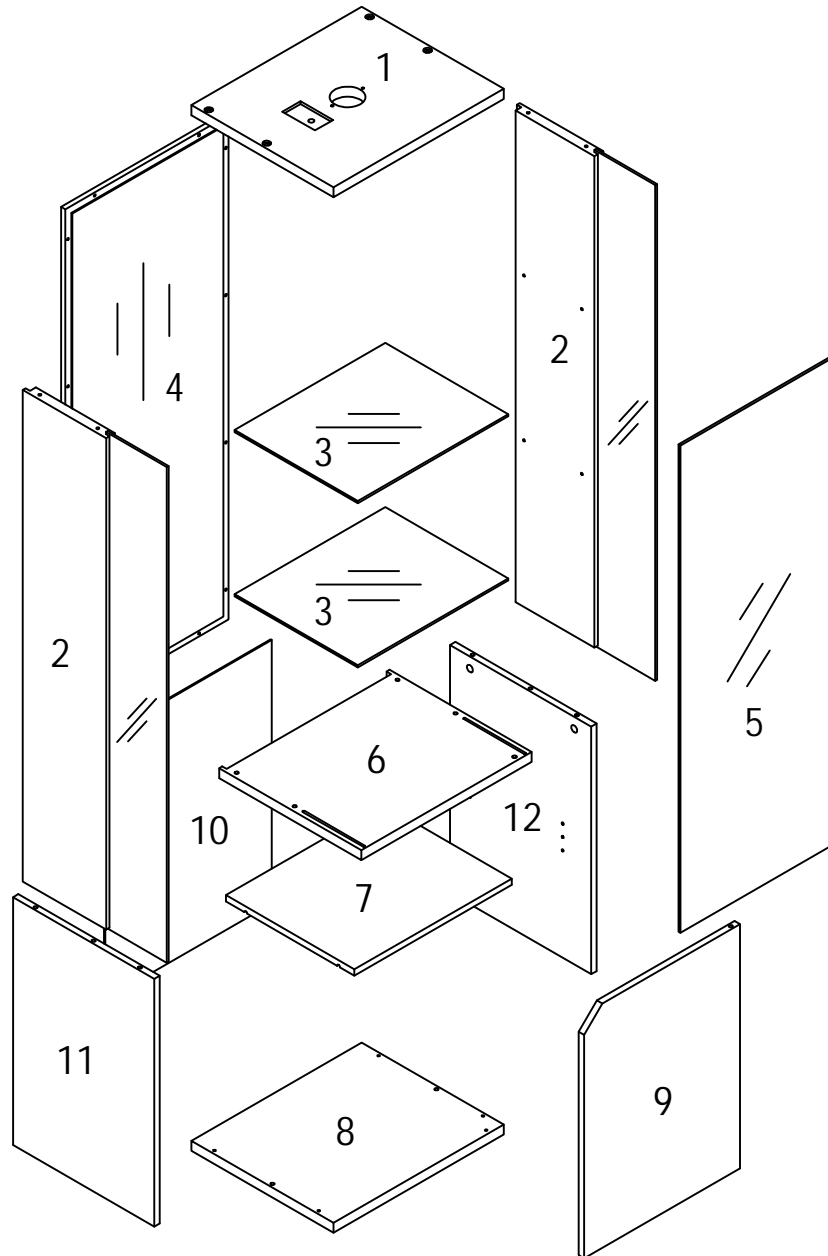
Tip #3: Read manual before assembling, it helps!

ITEM#: 202736 202737



PARTS IDENTIFICATION

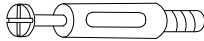


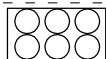






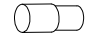

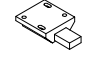

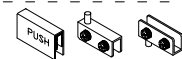

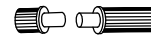
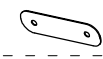



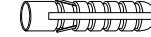




ITEM#: 202736 202737



(1)	1pc	(8)	1pc
(2)	2pcs	(9)	1pc
(3)	2pcs	(10)	1pc
(4)	1pc	(11)	1pc
(5)	1pc	(12)	1pc
(6)	1pc		
(7)	1pc		

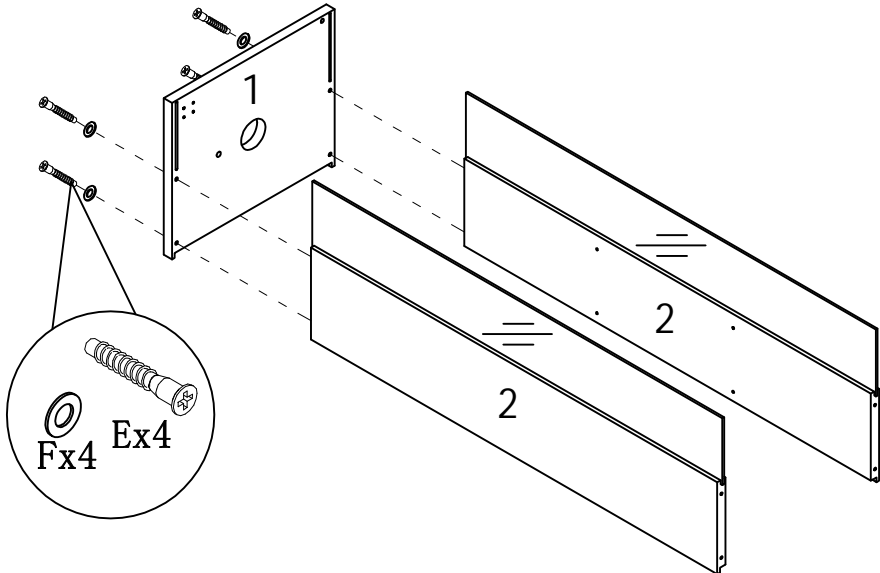
HARDWARE IDENTIFICATION

ITEM#: 202736 202737

A		L29	4pcs
B		φ15	4pcs
C		φ8x25	4pcs
D		φ22	4pcs
E		φ7x48	8pcs
F		φ8xφ16x2	8pcs
G		φ4x45	4pcs
H		φ55x25	4pcs
I		φ4x30	14pcs
J			20pcs
K		φ5x15	4pcs
L			8pcs
M			1pc
N		φ3x16	8pcs
O			1pc
P			1pc
Q			1pc
R			1pc
S		φ3x14	2pcs
T		φ70	1pc
U		197x5x1	1pc
V		φ8x40	1pc
W		12x12x1	2pc
X		φ5x40	1pc
Y		φ4x25	1pc
Z		Glue: For securing please apply to wood dowel first before inserting into panel	1pc

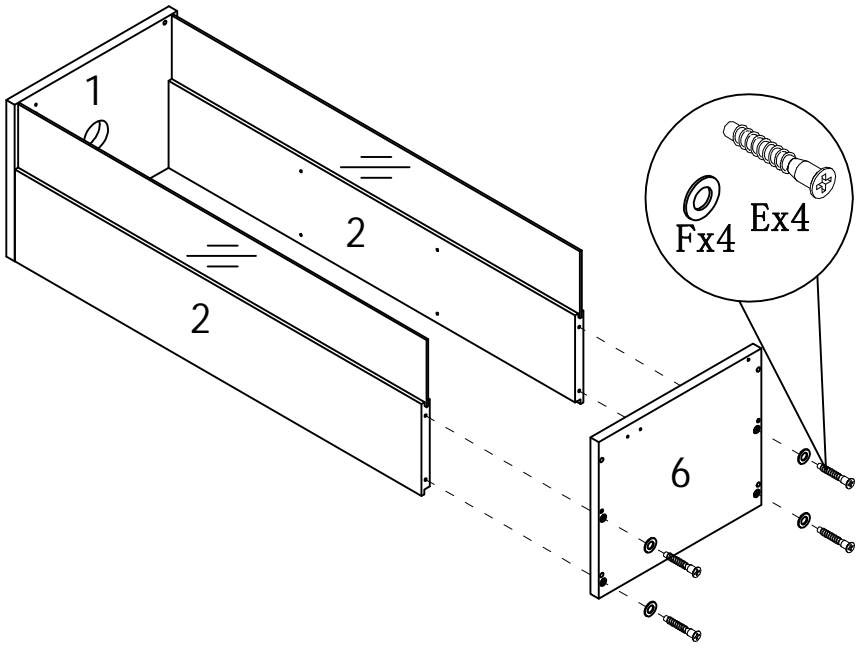
ASSEMBLY INSTRUCTION

ITEM#: 202736 202737



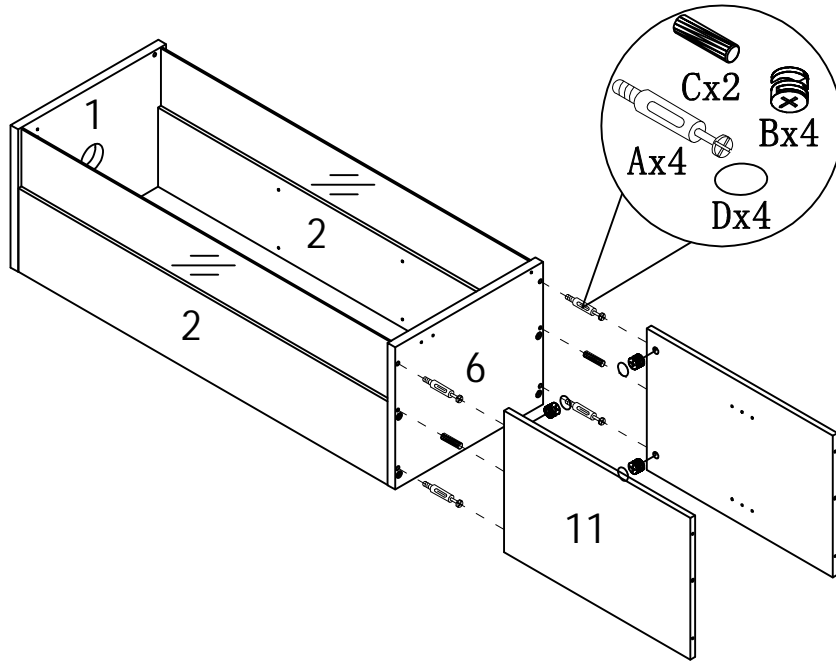
STEP1

STEP2



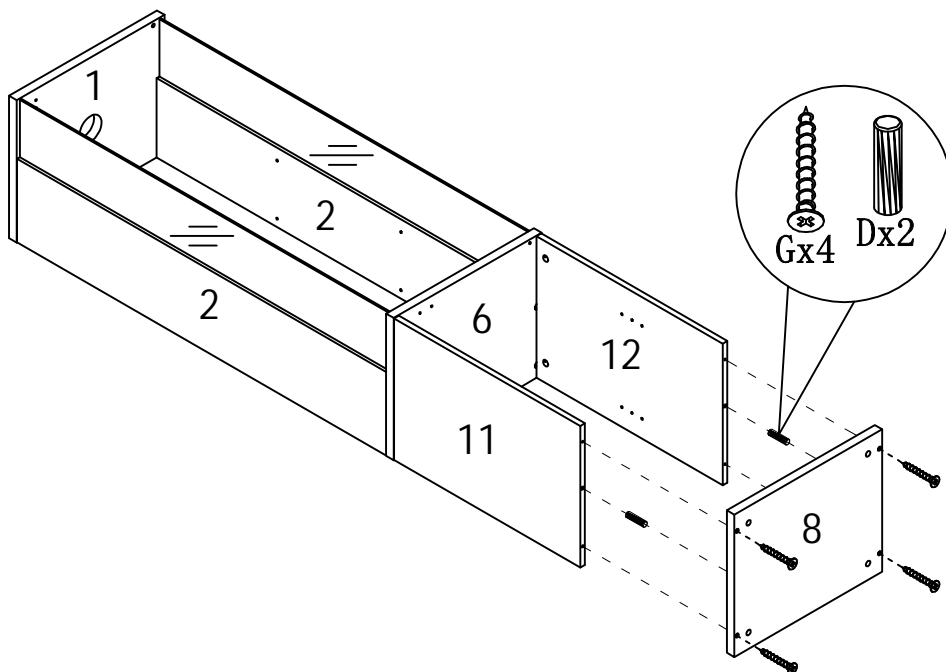
ASSEMBLY INSTRUCTION

ITEM#: 202736 202737



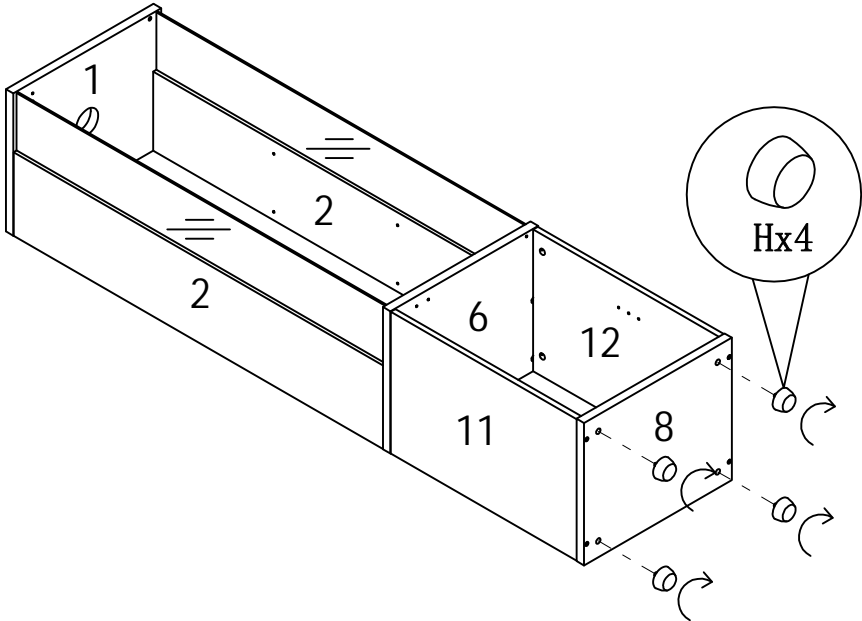
STEP3

STEP4



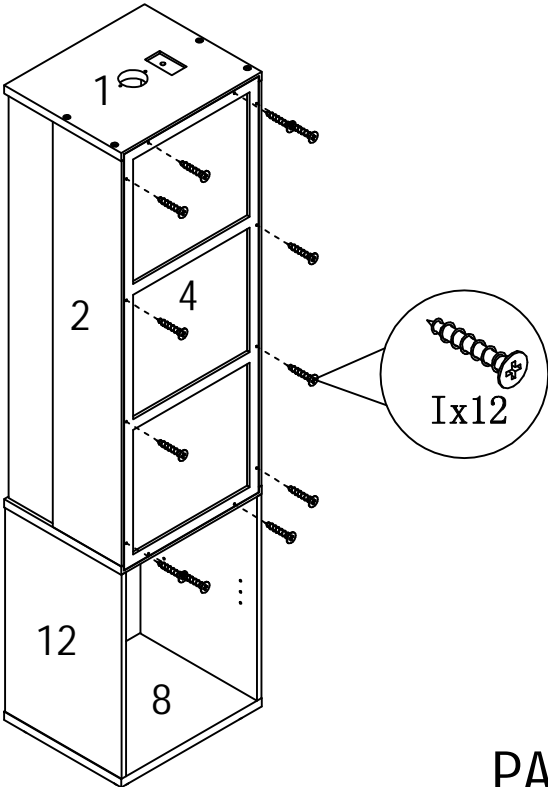
ASSEMBLY INSTRUCTION

ITEM#: 202736 202737



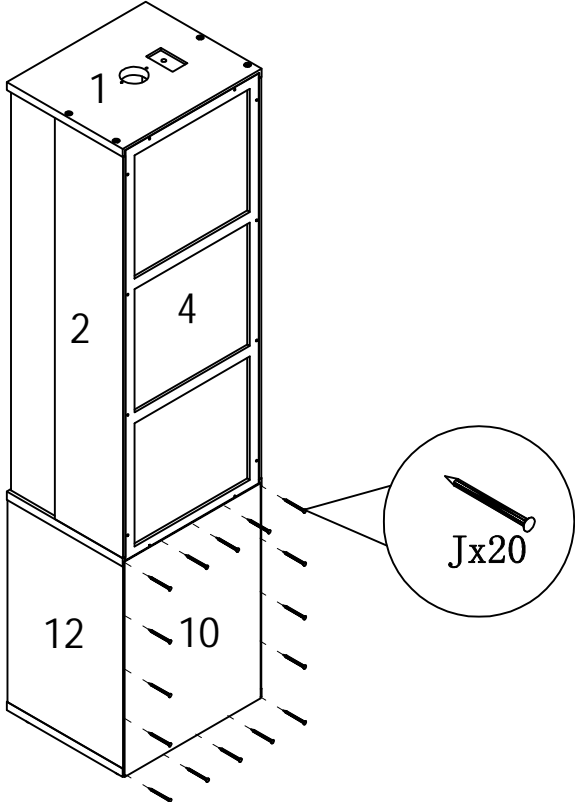
STEP5

STEP6



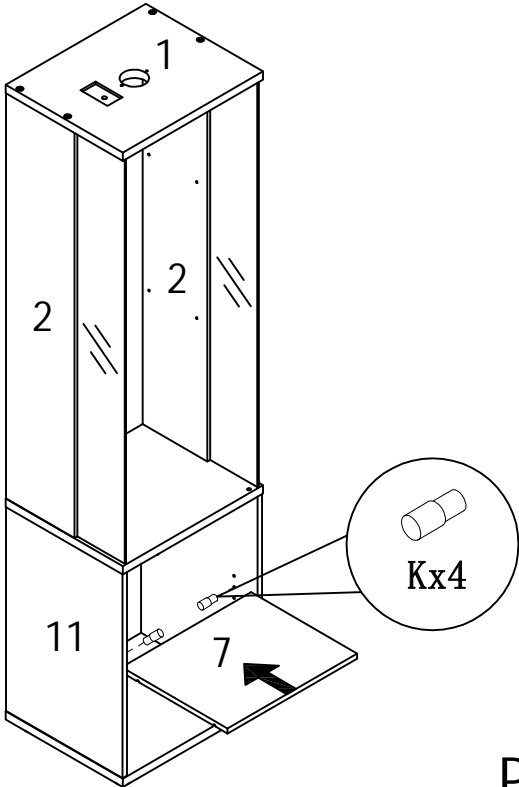
ASSEMBLY INSTRUCTION

ITEM#: 202736 202737



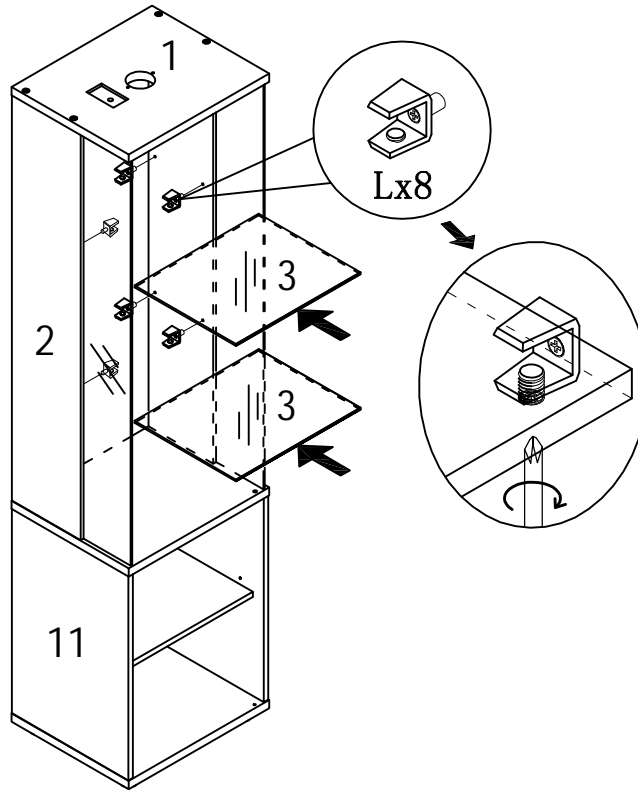
STEP7

STEP8



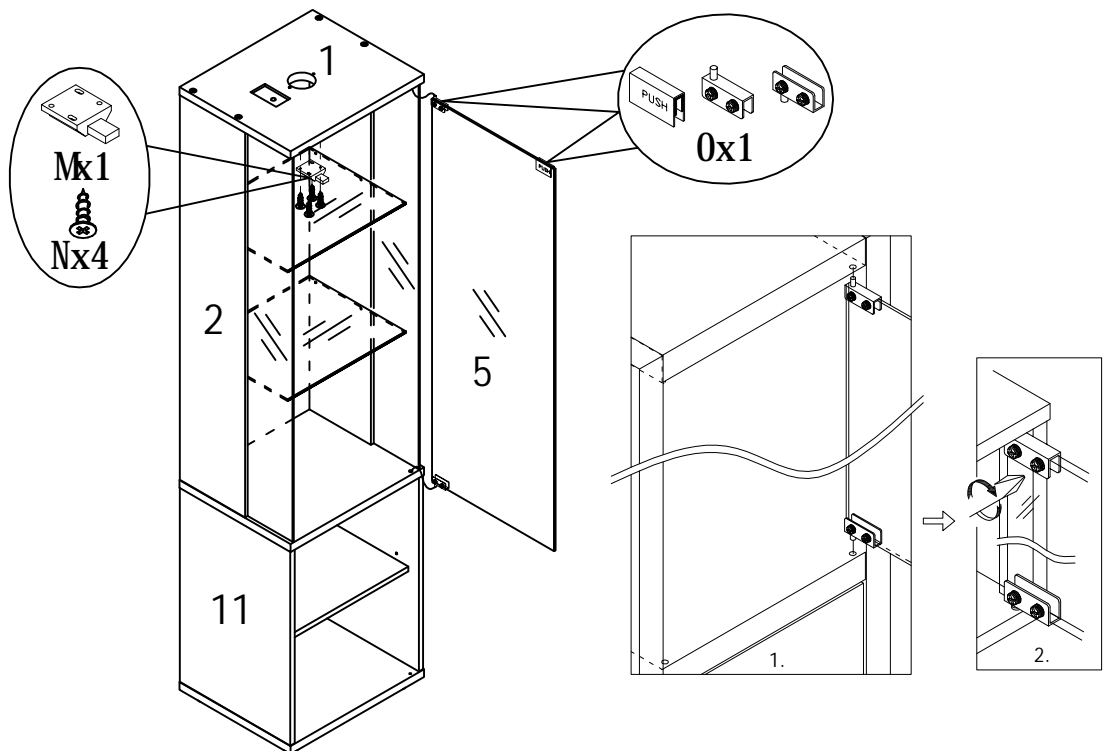
ASSEMBLY INSTRUCTION

ITEM#: 202736 202737



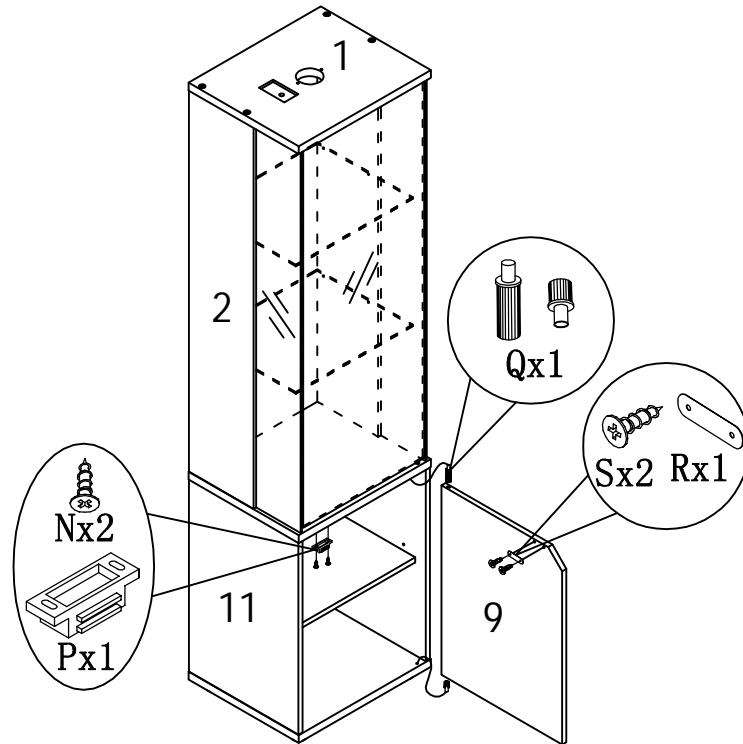
STEP9

STEP10



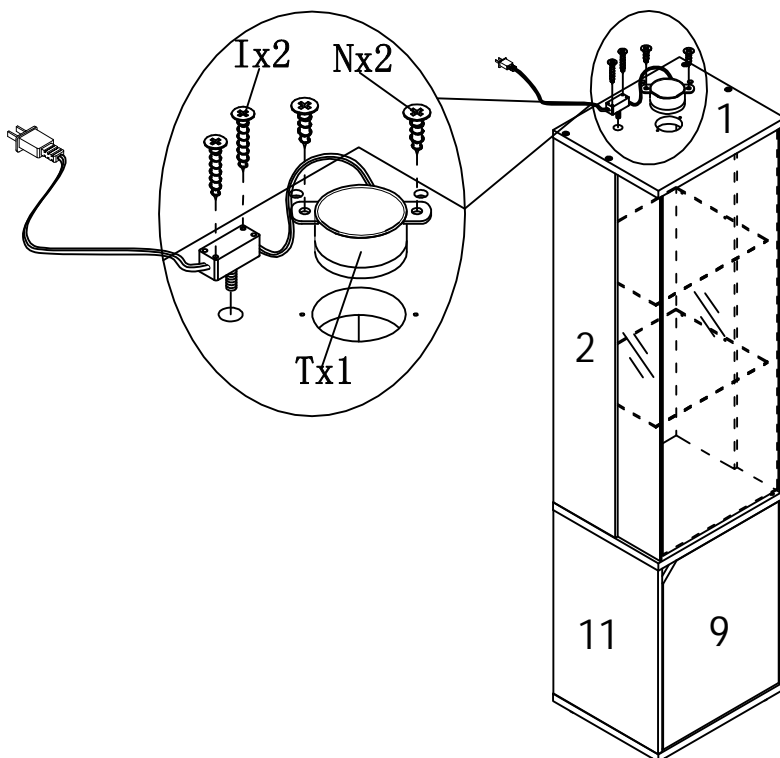
ASSEMBLY INSTRUCTION

ITEM#: 202736 202737



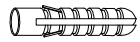
STEP11

STEP12

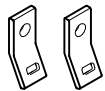


ANTI-TIPPING STRAP INSTRUCTION

HARDWARE (INCLUDED):



DRYWALL ANCHOR $\phi 8 \times 40$ X 1PC



METAL BRACKETS $12 \times 12 \times 1$ X 2PCS



DRYWALL SCREW $\phi 5 \times 40$ X 1PC

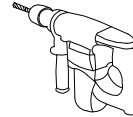


STRAP $197 \times 5 \times 1$ X 1PC



FLATHEAD SCREW $\phi 4 \times 25$ X 1PC

TOOLS NEEDED (NOT INCLUDED):



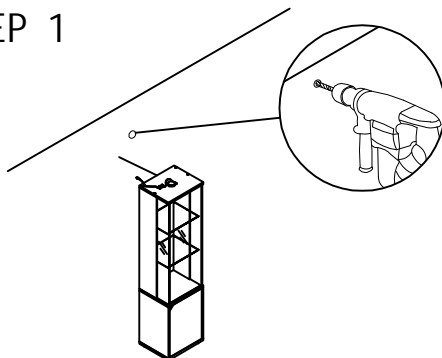
DRILL & DRILL BIT



LIGHT HAMMER

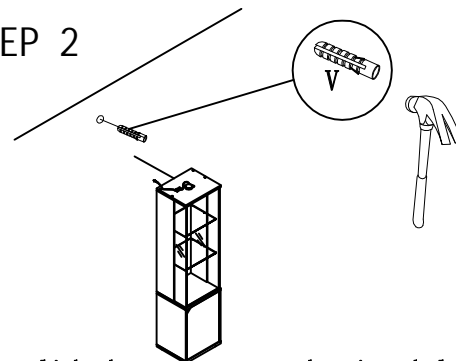
Note: Hardware included only compatible with standard drywalls.

STEP 1



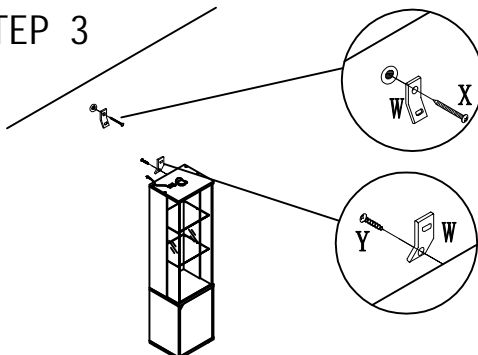
1. Find spot on wall 1" below top of item.
2. Using a drill bit slightly thinner than anchor, drill hole into drywall.

STEP 2



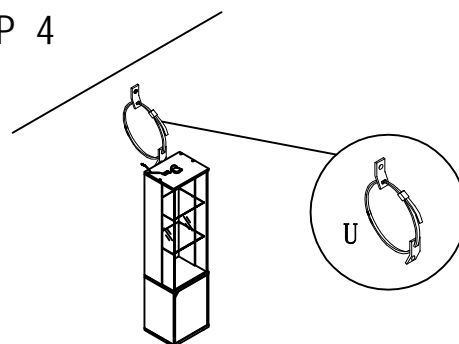
1. Use a light hammer to tap anchor into hole.
2. Anchor should fit snugly. If hole is too small, drill again to increase hole size. Do not force anchor into wall.

STEP 3



1. Insert drywall screw into metal bracket and into drywall anchor.
2. Insert flathead screw into second metal bracket and into back of item along top edge.

STEP 4



1. Insert strap thru bracket attached to wall, then thru bracket on item, and into head of strap.
 2. pull lightly til strap stops.
- Assembly is complete.