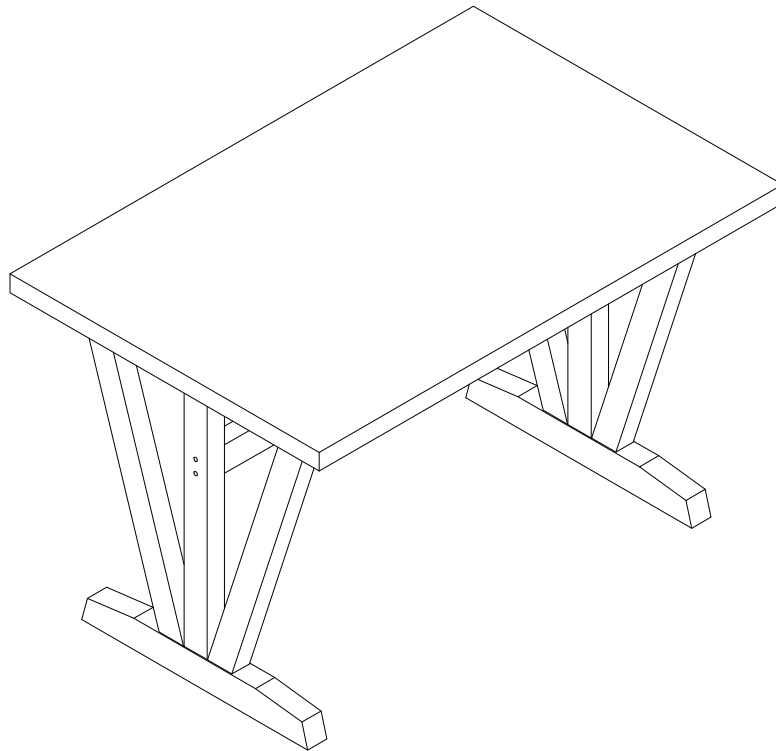


ASSEMBLY INSTRUCTION

ITEM#: 202825



ASSEMBLY INSTRUCTION

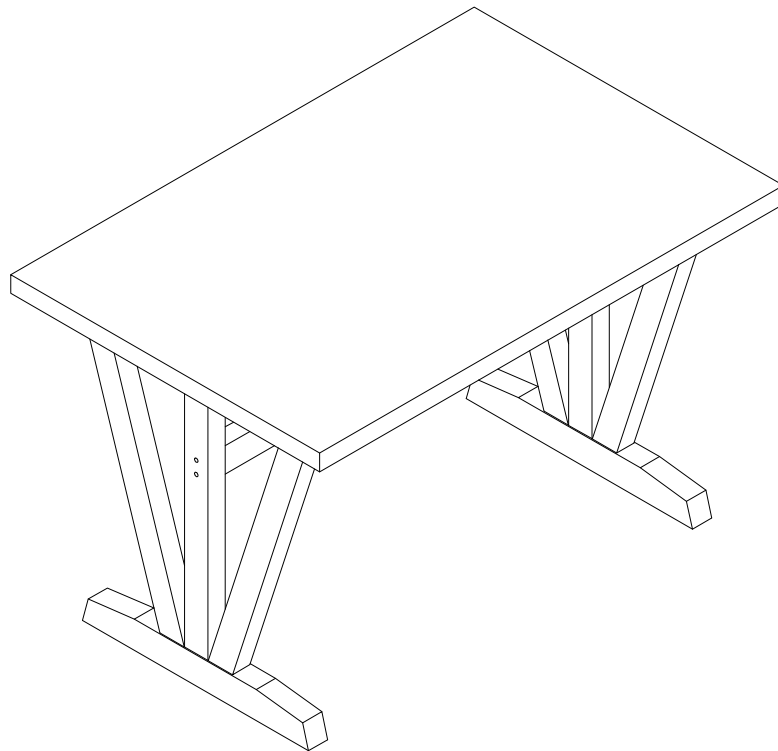
PLEASE READ BEFORE ASSEMBLING!

Tip #1: Make sure you've taken all the pieces and hardware out of its packaging before discarding the box. Assembly on top of flattened box/blanket is recommended.

Tip #2: Using page 2 and/or page 3 of instruction manual make sure all pieces and hardware are accounted for.

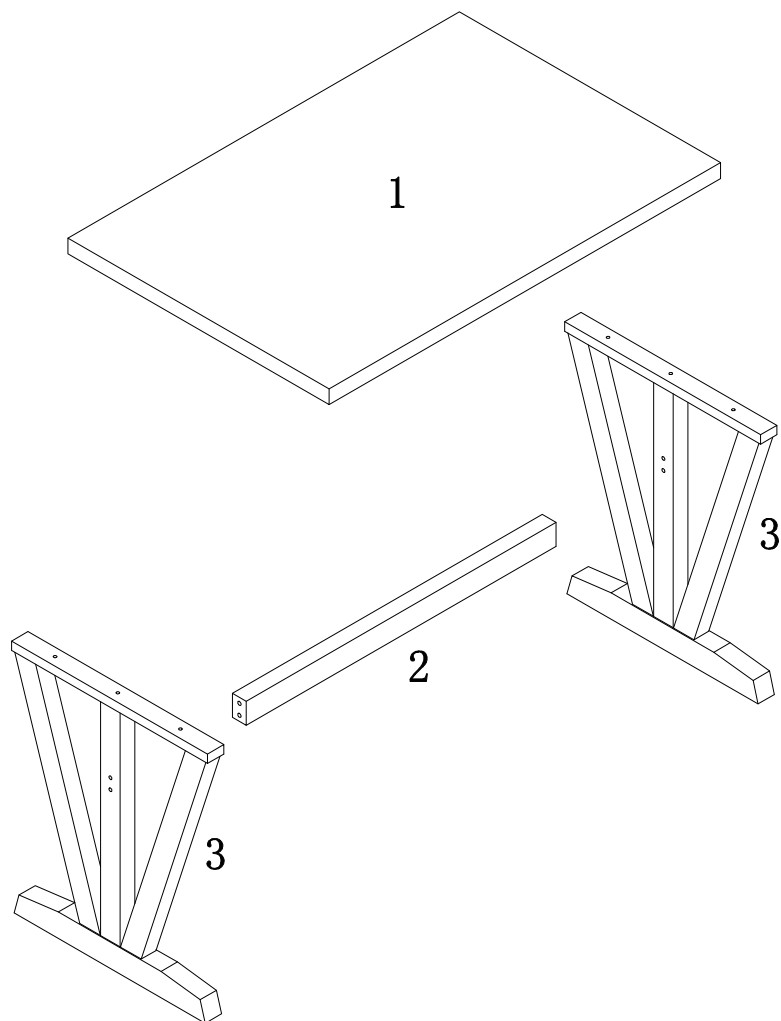
Tip #3: Note position of all holes on each panel during assembly.

ITEM#: 202825



PARTS IDENTIFICATION





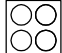


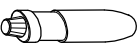
ITEM#: 202825



- | | |
|-----|------|
| (1) | 1pc |
| (2) | 1pc |
| (3) | 2pcs |

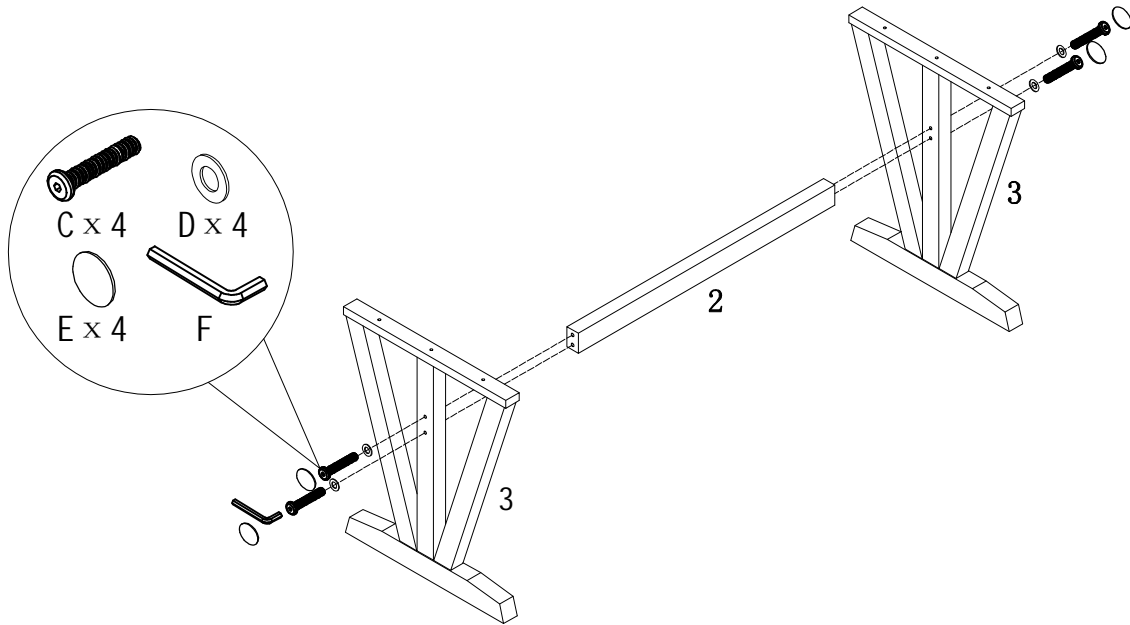
HARDWARE IDENTIFICATION

ITEM#: 202825

A		ø8 × 25	2pcs
B		M8 × 40	4pcs
C		M8 × 55	4pcs
D		ø8xø16x2	8pcs
E		ø22	4pcs
F		M5	1pc
G		ø25	4pcs
H		Glue: For securing please apply to wood dowel first before inserting into panel	1pc

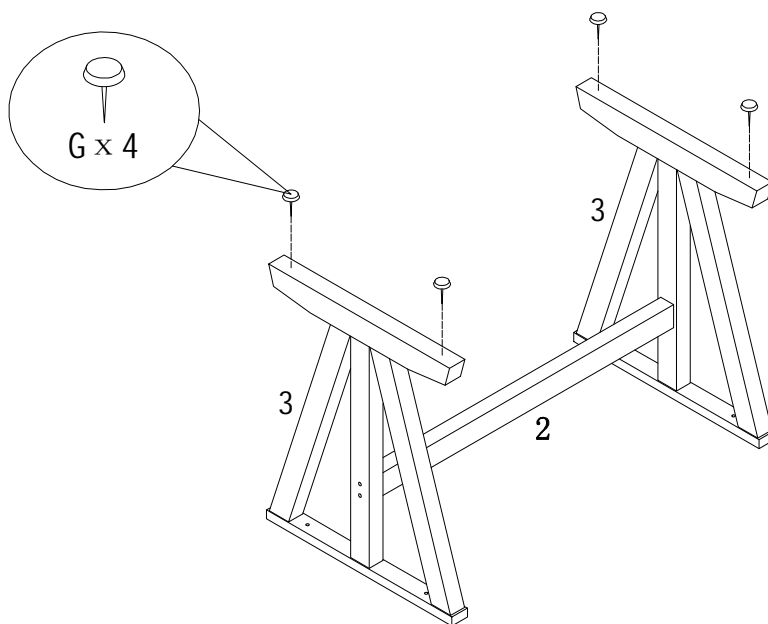
ASSEMBLY INSTRUCTION

ITEM#: 202825



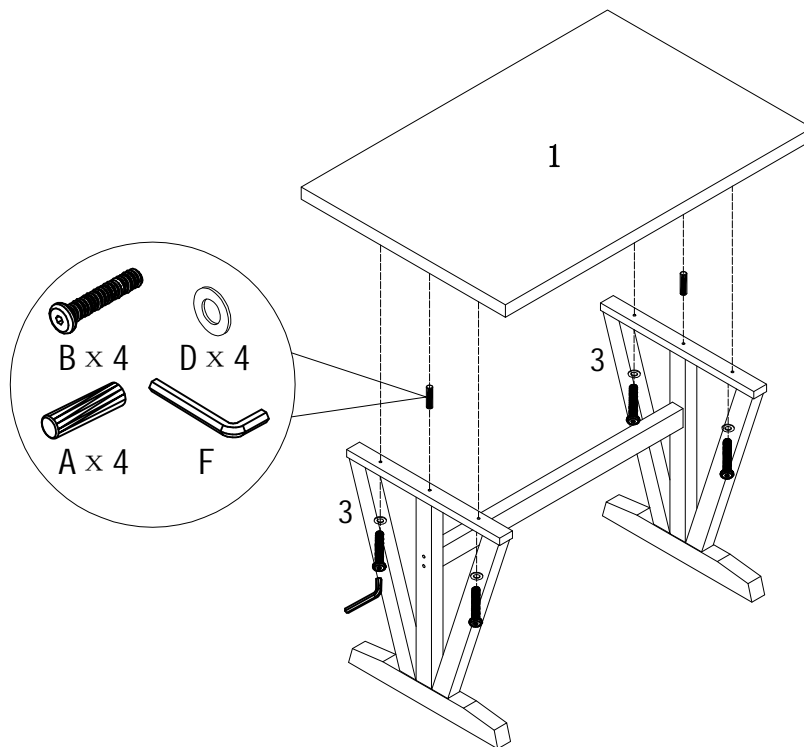
STEP 1

STEP 2



ASSEMBLY INSTRUCTION

ITEM#: 202825



STEP3

STEP4

