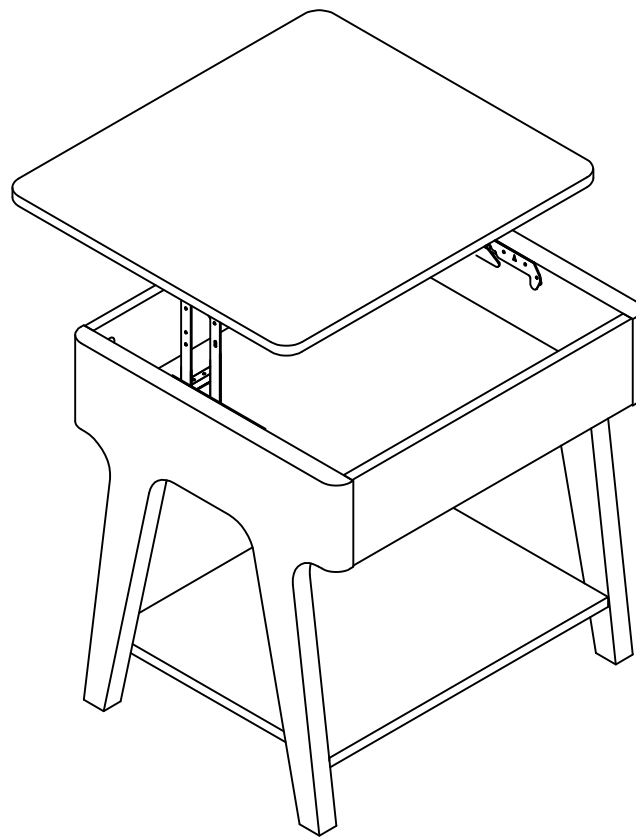


# ASSEMBLY INSTRUCTION

---

ITEM#: 202829ET



# ASSEMBLY INSTRUCTION

---

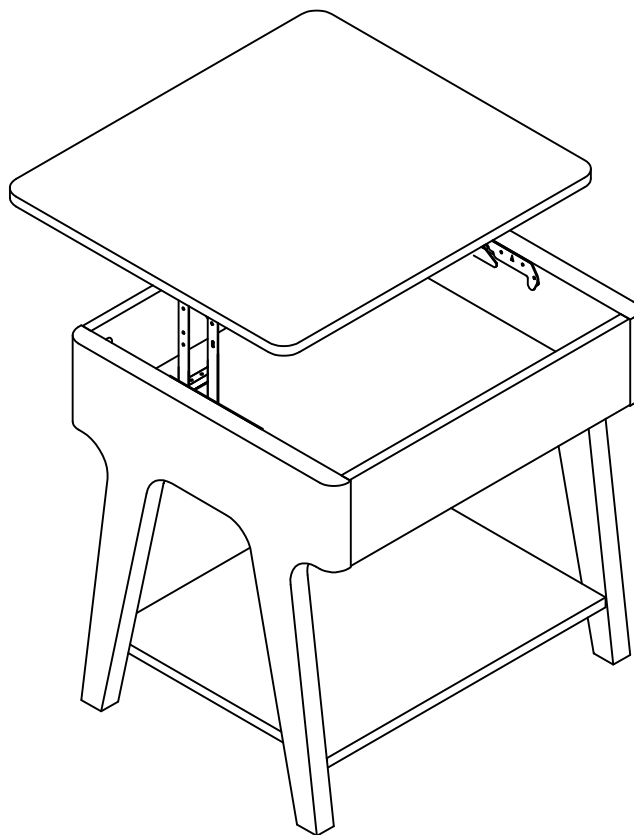
## PLEASE READ BEFORE ASSEMBLING!

Tip #1: Make sure you've taken all the pieces and hardware out of its packaging before discarding the box.

Tip #2: Using page 2 and/or page 3 of instruction manual make sure all pieces and hardware are accounted for.

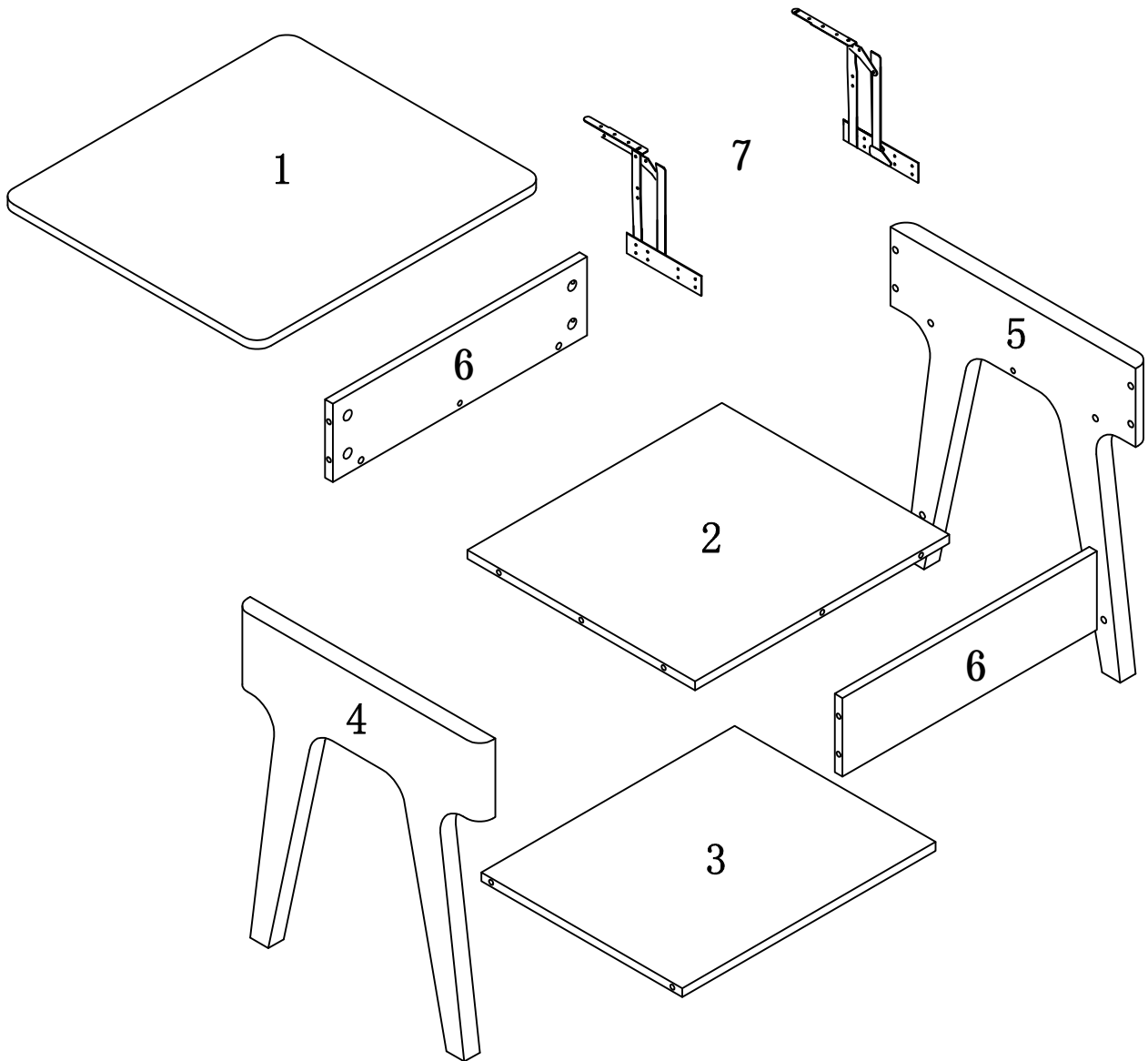
Tip #3: Read manual before assembling, it helps!

ITEM#: 202829ET



# PARTS IDENTIFICATION

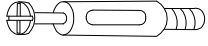


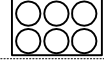


ITEM#: 202829ET



(1)	1pc	(7)	1pc
(2)	1pc		
(3)	1pc		
(4)	1pc		
(5)	1pc		
(6)	2pcs		

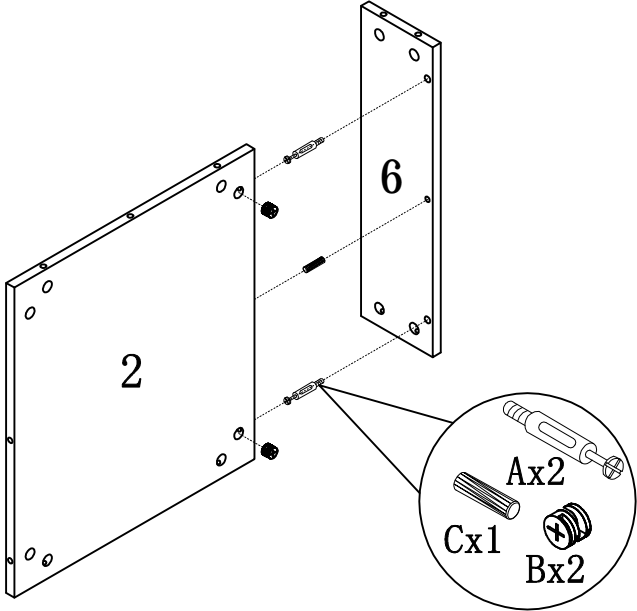
# HARDWARE IDENTIFICATION

ITEM#: 202829ET

A		L29	20pcs
B		$\phi 15$	20pcs
C		$\phi 8 \times 25$	4pcs
D		$\phi 22$	8pcs
E		$\phi 4 \times 16$	28pcs
F		$\phi 16$	4pcs

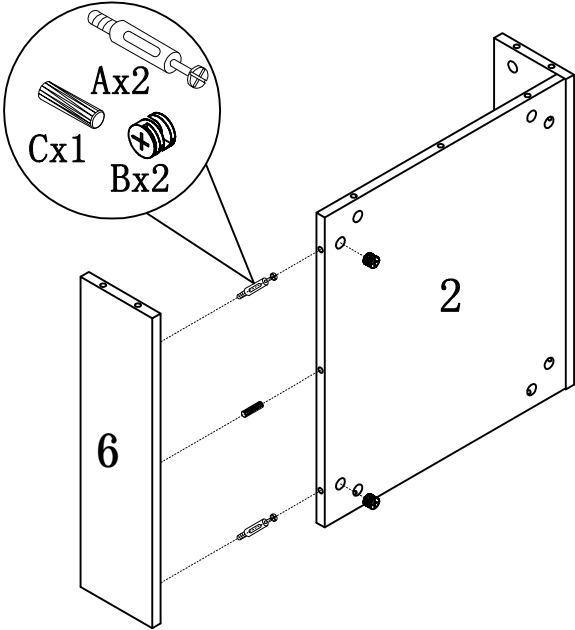
# ASSEMBLY INSTRUCTION

ITEM#: 202829ET



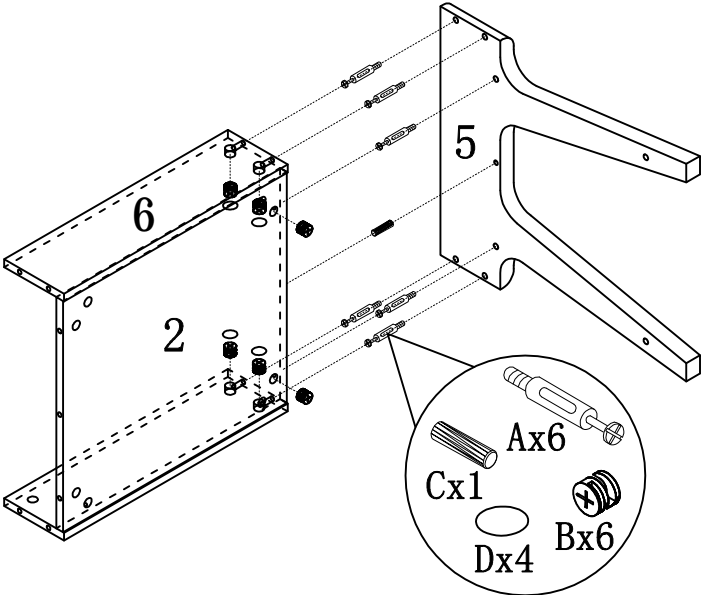
STEP 1

STEP 2



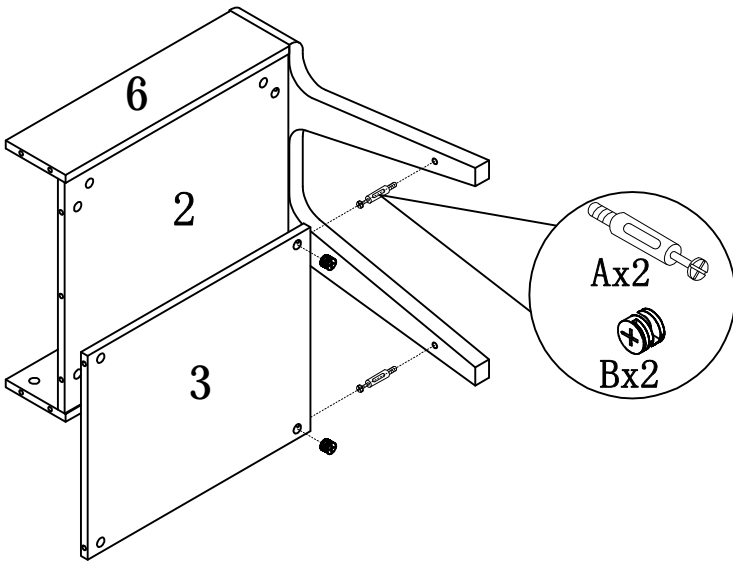
# ASSEMBLY INSTRUCTION

ITEM#: 202829ET



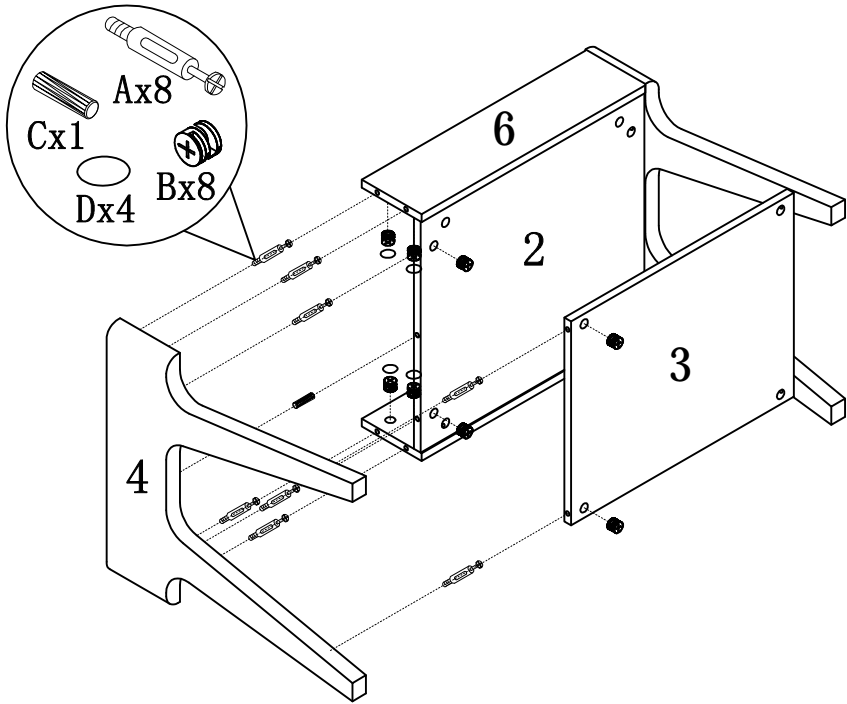
STEP3

STEP4



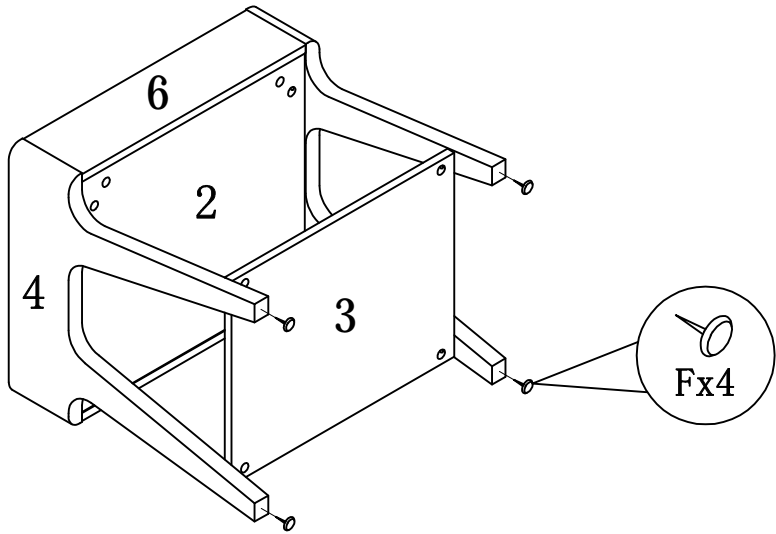
# ASSEMBLY INSTRUCTION

ITEM#: 202829ET



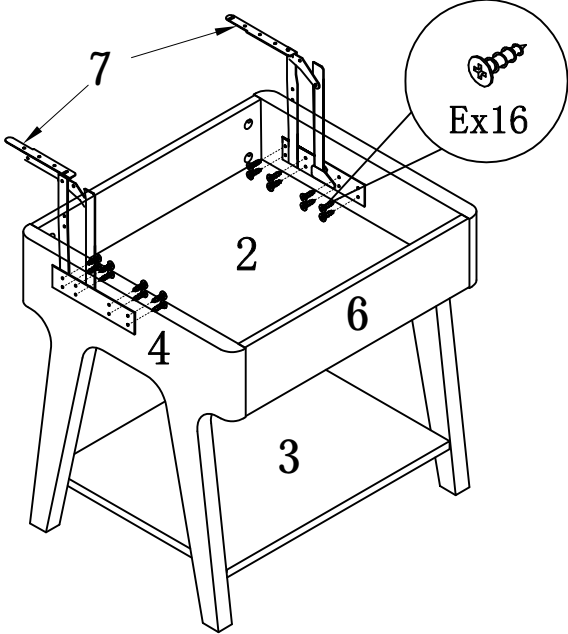
STEP5

STEP6



# ASSEMBLY INSTRUCTION

ITEM#: 202829ET



STEP7

STEP8

