

# ASSEMBLY INSTRUCTION

---

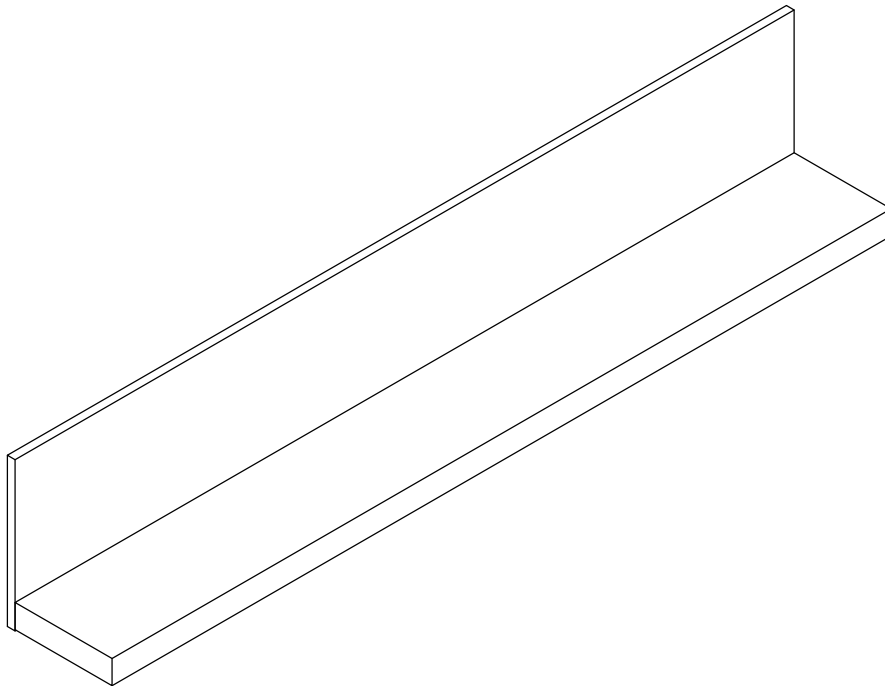
## PLEASE READ BEFORE ASSEMBLING!

Tip #1: Make sure you've taken all the pieces and hardware out of its packaging before discarding the box.

Tip #2: Using page 2 and/or page 3 of instruction manual make sure all pieces and hardware are accounted for.

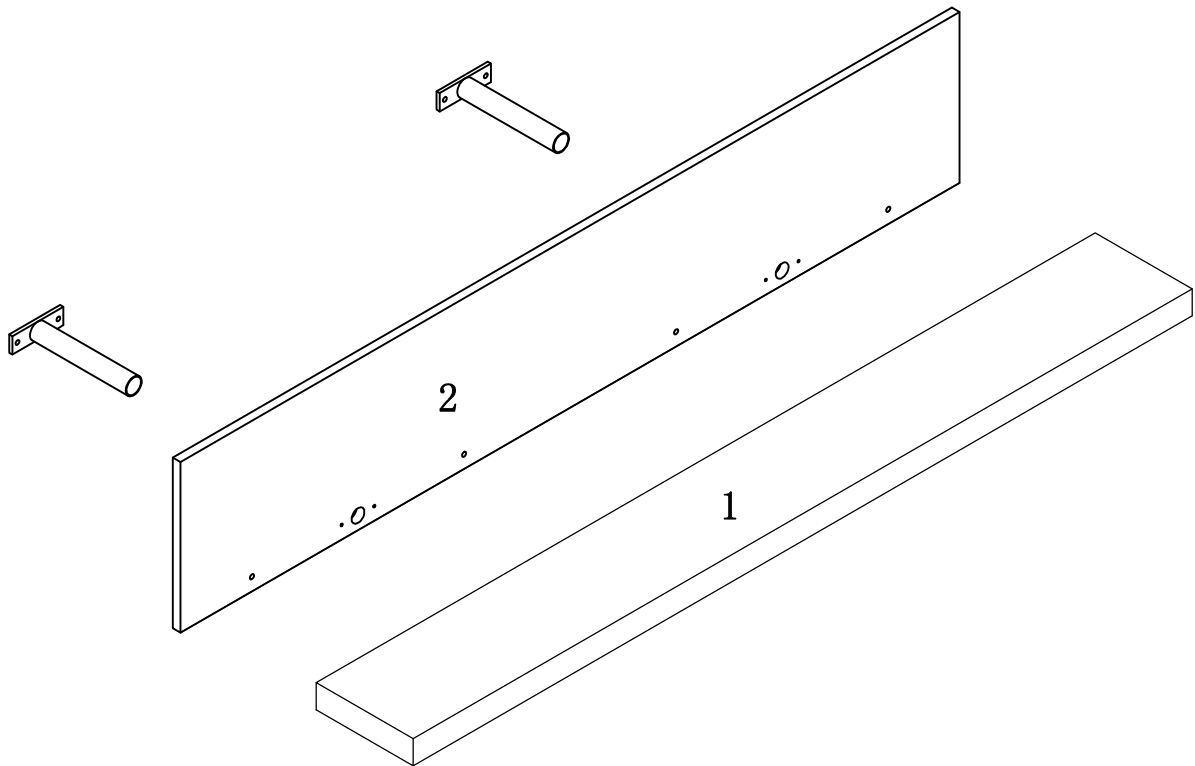
Tip #3: Read manual before assembling, it helps!

ITEM#      27062BR      171916BR



# PARTS IDENTIFICATION

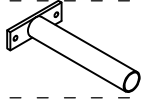

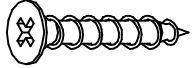



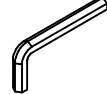
ITEM#: 27062BR



(1)	1pc
(2)	1pc

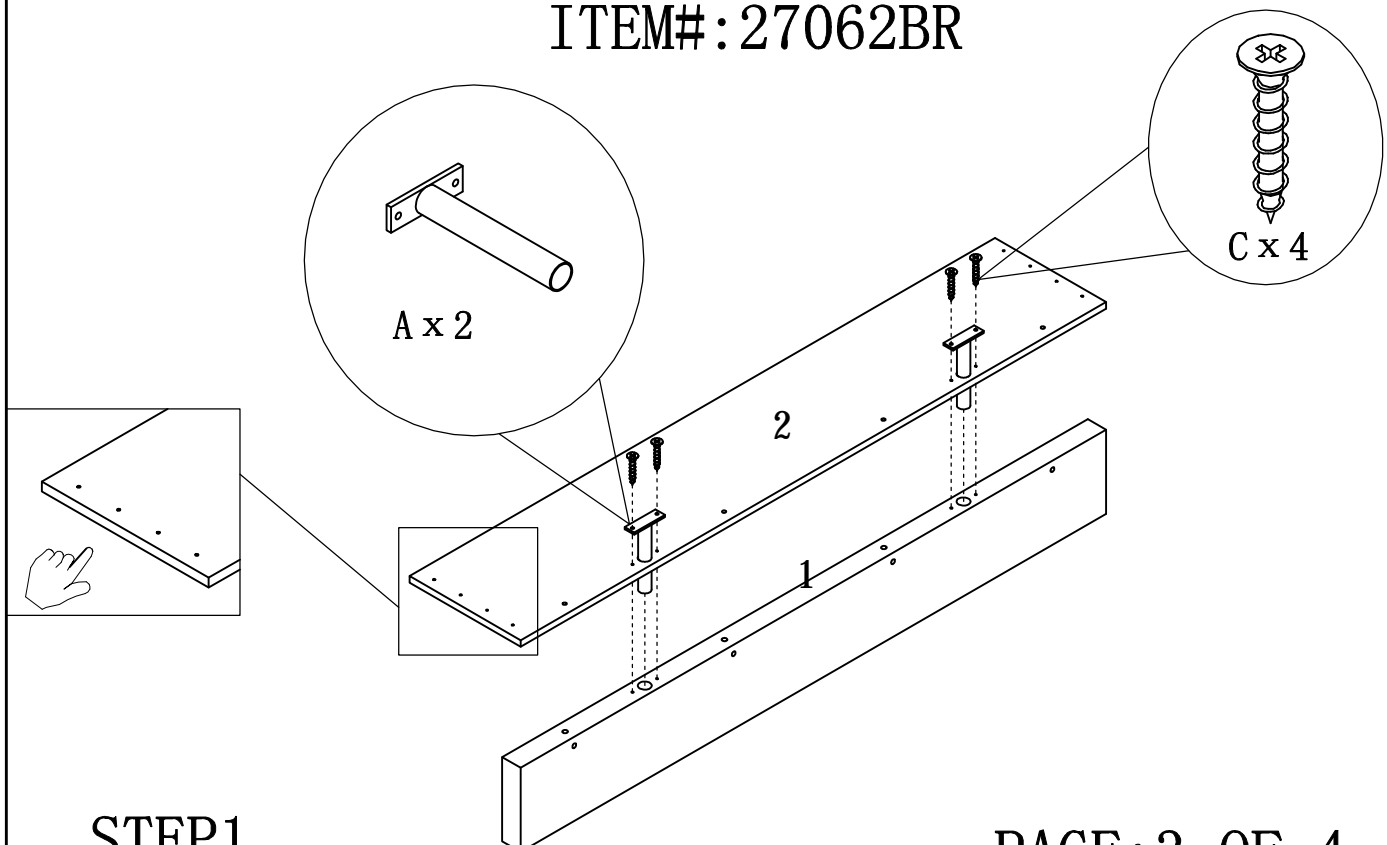
# HARDWARE IDENTIFICATION

ITEM#: 27062BR

A		155x80x25	2pcs
B		$\phi 4 \times 16$	16pcs
C		$\phi 4 \times 40$	4pcs
D		247x38x3	2pcs
E		$\phi 10 \times 15$	4pcs
F		$\phi 6 \times 55$	4pcs
G		M4	1pc

# ASSEMBLY INSTRUCTION

ITEM#: 27062BR

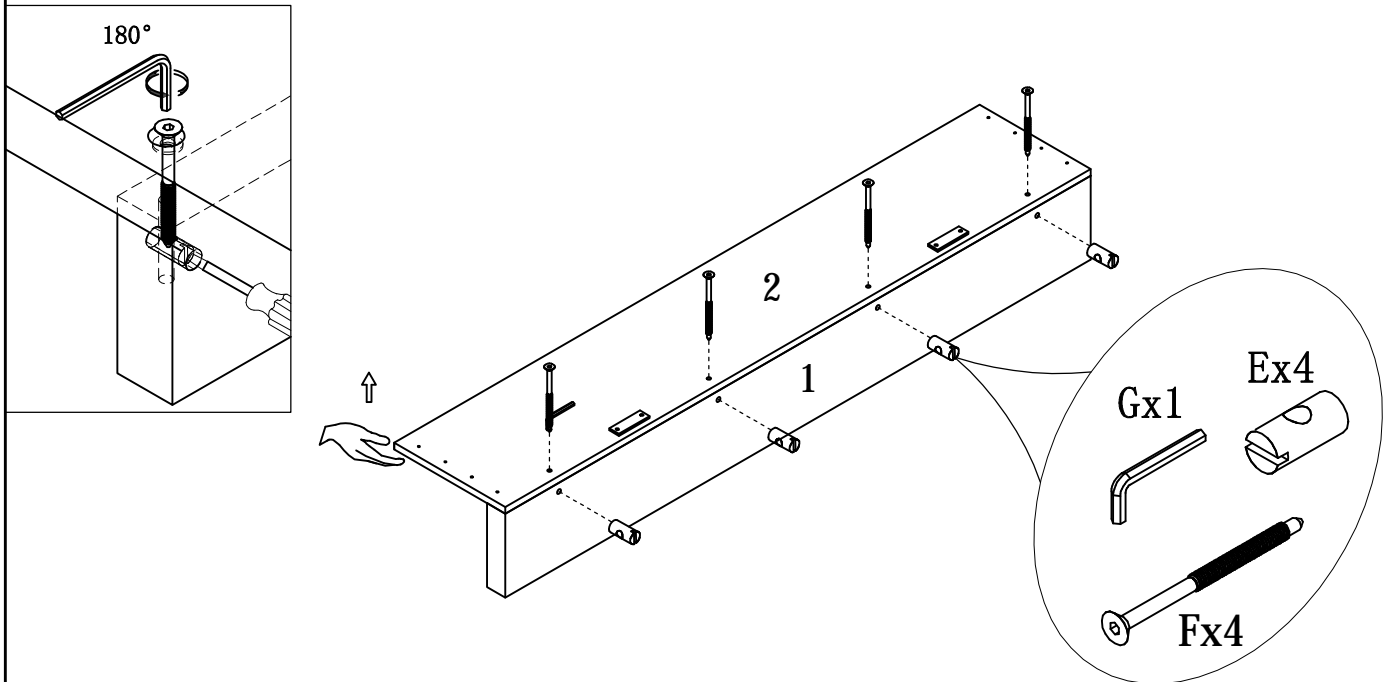


STEP1

PAGE: 3 OF 4

# ASSEMBLY INSTRUCTION

ITEM#: 27062BR



## STEP 2

## STEP 3

Note: There are no predrilled holes on the back of the piers. Attach to piers at desired height. A leveler is recommended.

