



# ASSEMBLY INSTRUCTION

---

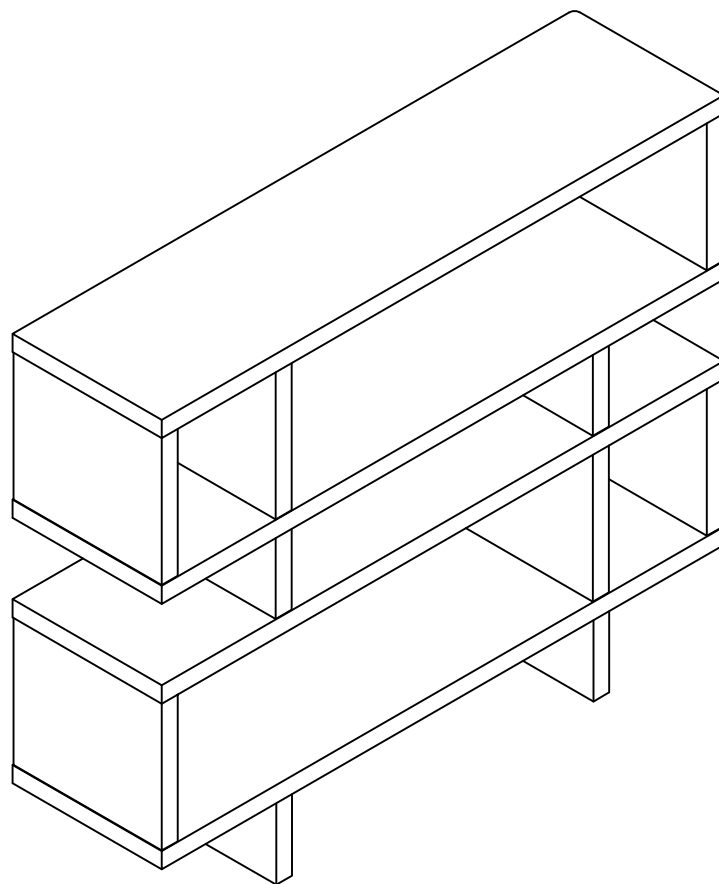
## PLEASE READ BEFORE ASSEMBLING!

Tip #1: Make sure you've taken all the pieces and hardware out of its packaging before discarding the box.

Tip #2: Using page 2 and/or page 3 of instruction manual make sure all pieces and hardware are accounted for.

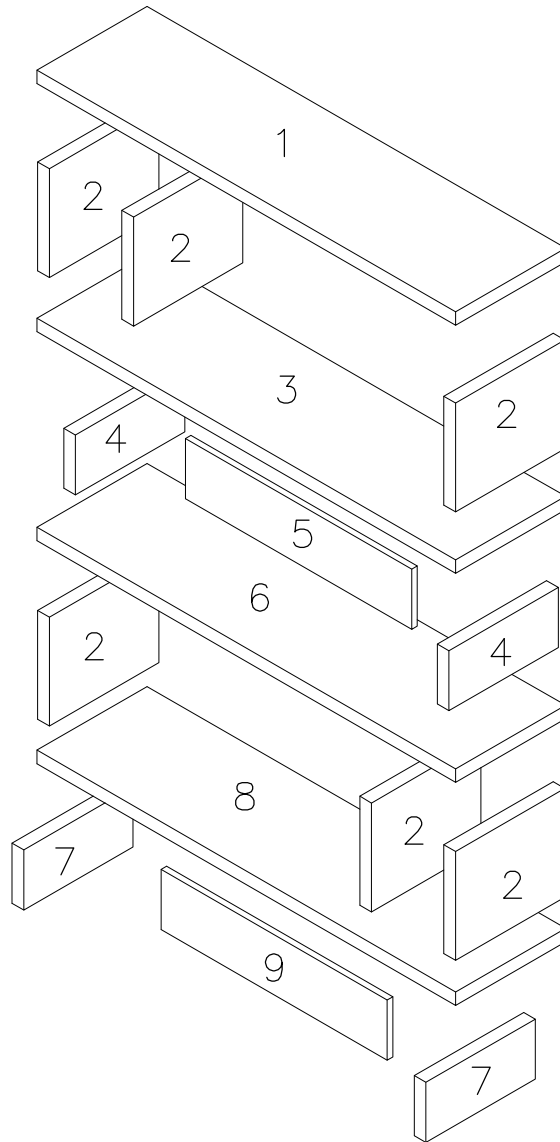
Tip #3: Read manual before assembling, it helps!

ITEM#: 29259 161530 161531 14932 161763



# PARTS IDENTIFICATION



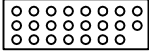
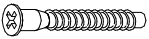




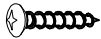



ITEM#: 29259 161530 161531 14932 161763



- |     |      |
|-----|------|
| (1) | 1pc  |
| (2) | 6pcs |
| (3) | 1pcs |
| (4) | 2pcs |
| (5) | 1pcs |
| (6) | 1pcs |
| (7) | 2pcs |
| (8) | 1pcs |
| (9) | 1pcs |

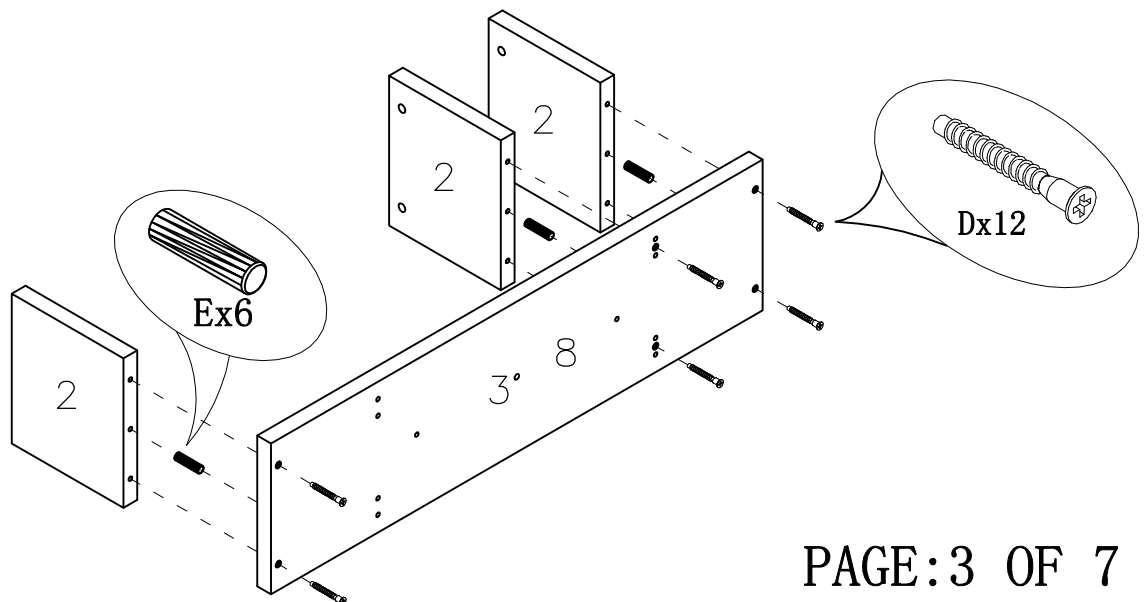
# HARDWARE IDENTIFICATION

ITEM#:29259 161530 161531 14932 161763

A		L29	23pcs
B		Φ15	23pcs
C		Φ18	23pcs
D		Φ7x48	16pcs
E		Φ8x25	34pcs
F		Φ16	5pcs
G		197×5×1	1pc
H		12×12×1	2pcs
I		Φ4x25	1pc
J		Φ5x40	1pc
K		Φ8x40	1pc
L		Glue: For securing please apply to wood dowel first before inserting into panel	1pc

## ASSEMBLY INSTRUCTION

ITEM#:29259 161530 161531

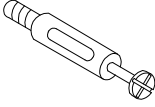

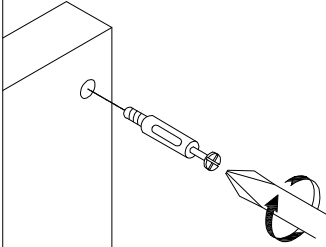
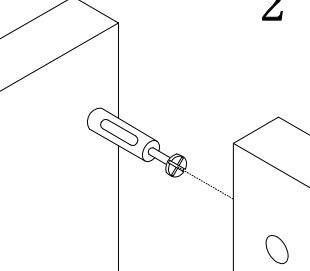
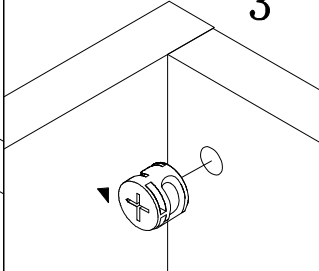
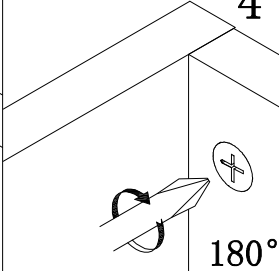


STEP1

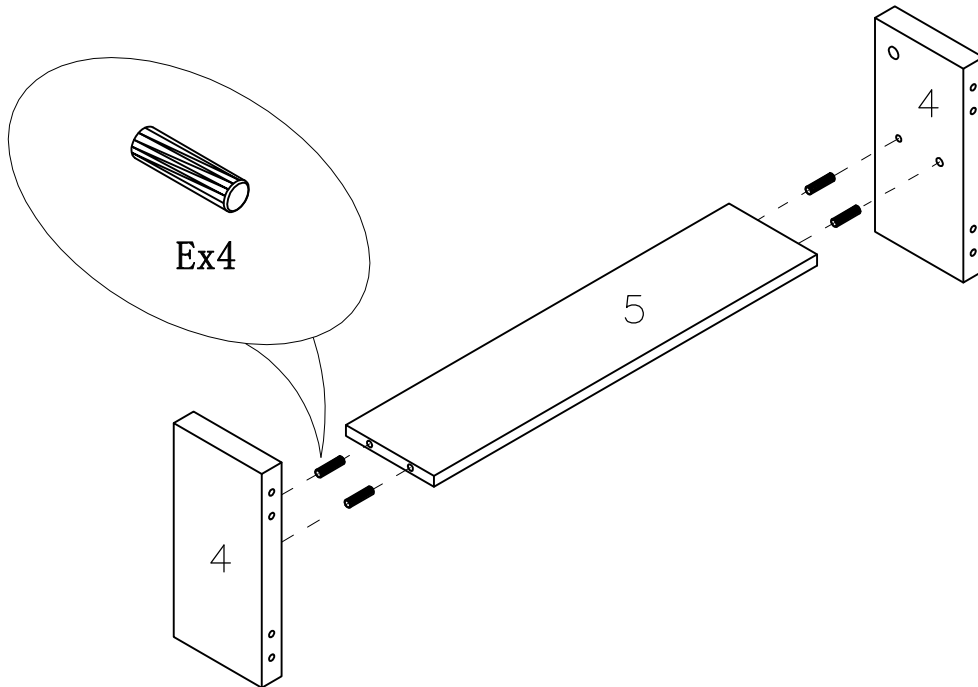
PAGE:3 OF 7

# ASSEMBLY INSTRUCTION

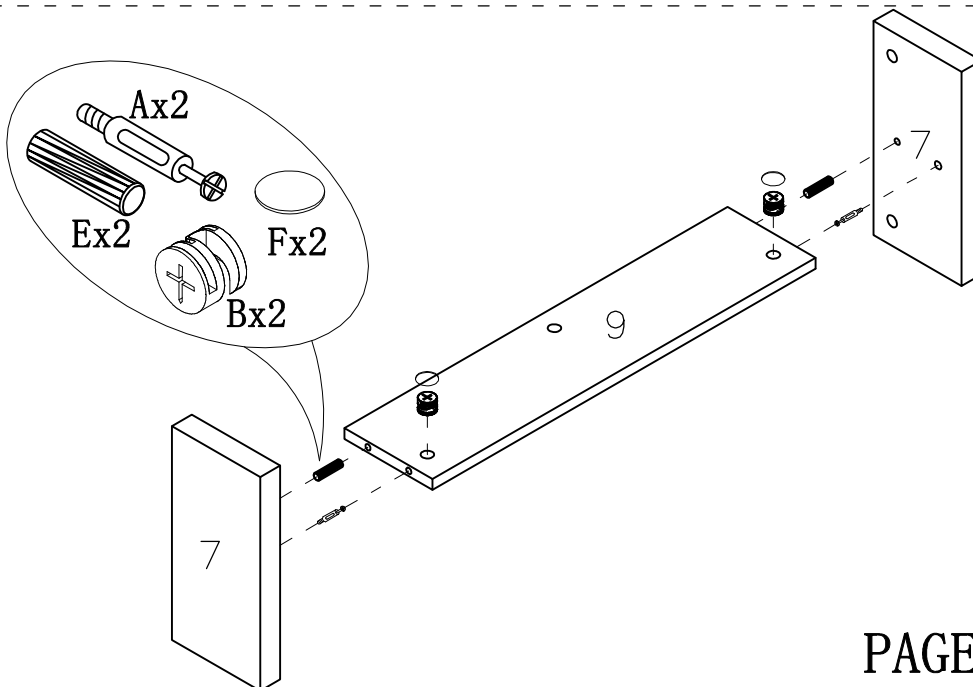
ITEM#: 29259 161530 161531 14932 161763

HOW TO	1	2	3	4
 Cam Bolt  Cam Lock				 180°
	1. Screw Cam Bolt into panel.	2. Insert Cam Bolt into bolt hole of joining panel.	3. Insert Cam Lock. arrow facing bolt.	4. Gently turn Cam Lock clockwise to lock position.

## STEP2

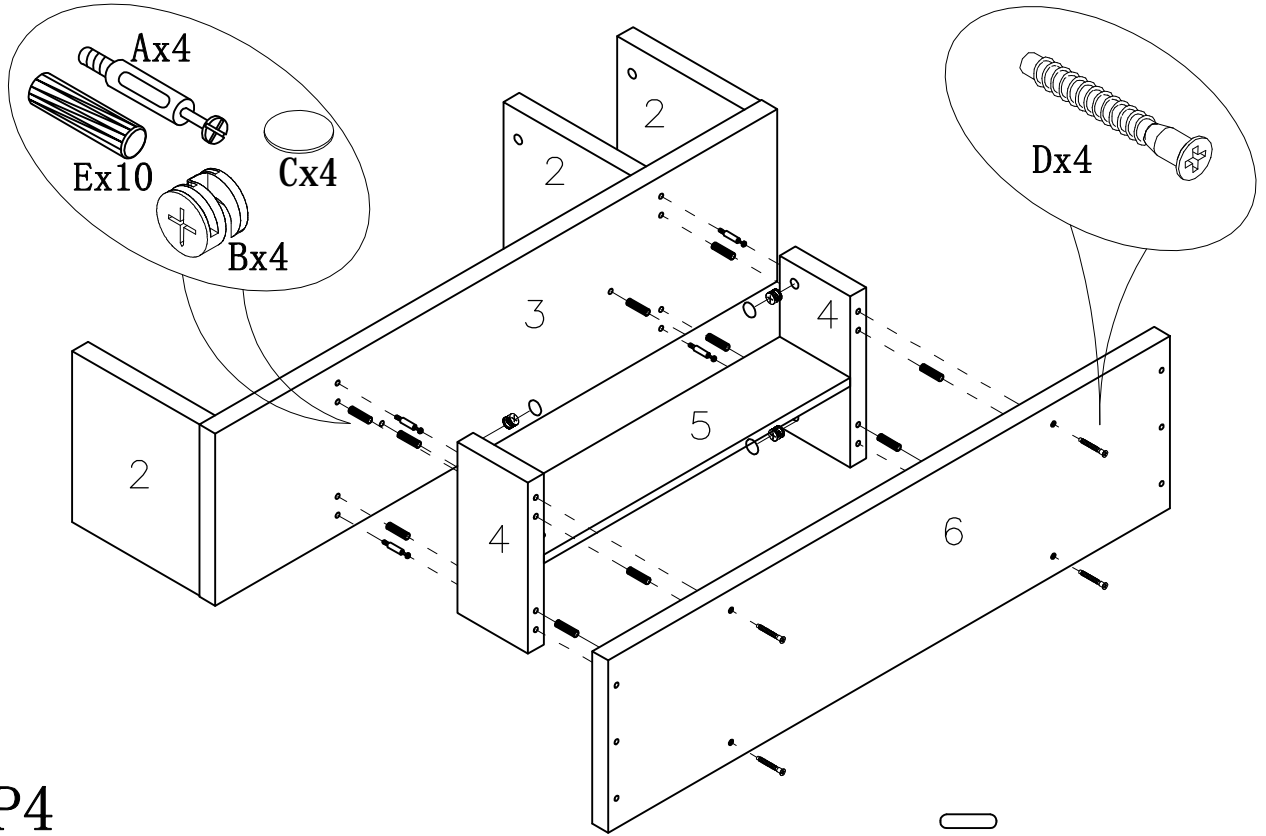


## STEP3



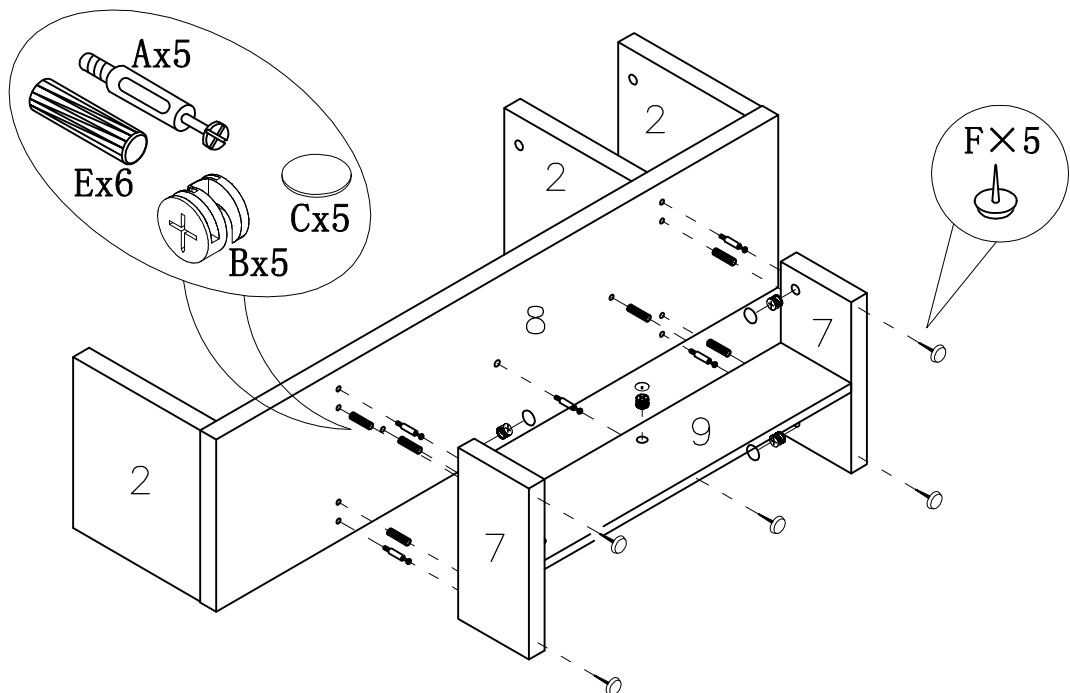
# ASSEMBLY INSTRUCTION

ITEM#: 29259 161530 161531 14932 161763



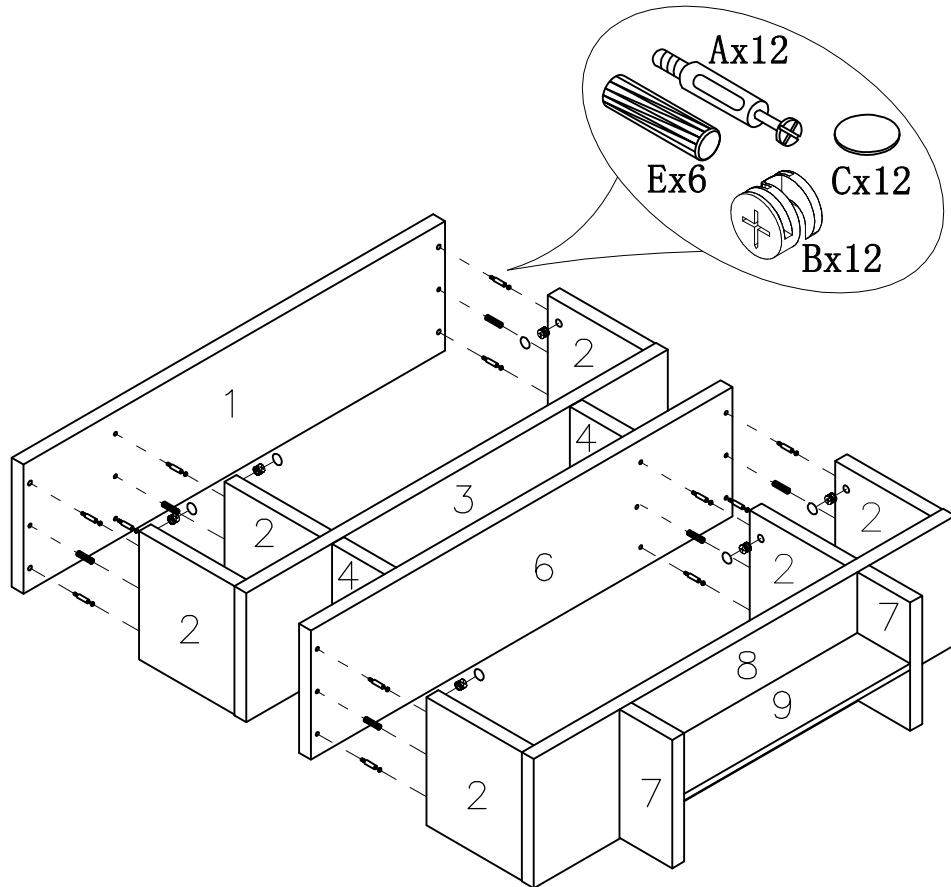
STEP4

STEP5



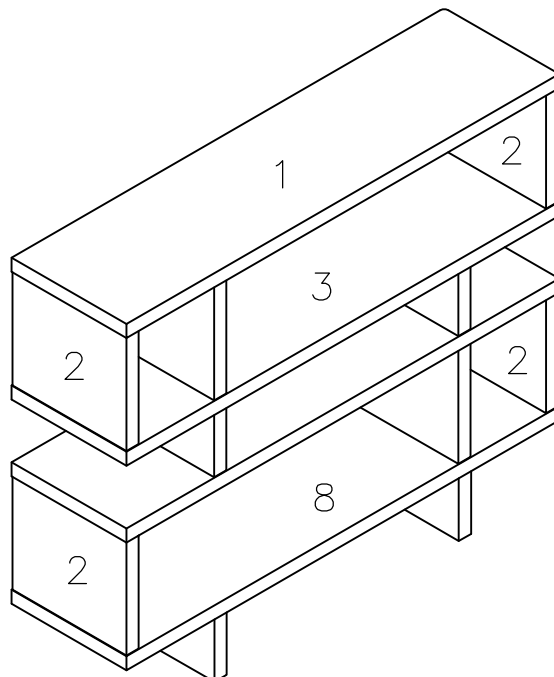
# ASSEMBLY INSTRUCTION

ITEM#: 29259 161530 161531 14932 161763



STEP6

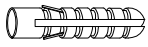
STEP7



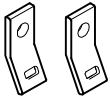
# ANTI-TIPPING STRAP INSTRUCTION

## HARDWARE (INCLUDED) :

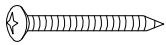
## TOOLS NEEDED ( NOT INCLUDED) :



DRYWALL ANCHOR  $\phi 8 \times 40$  X 1PC



METAL BRACKETS  $12 \times 12 \times 1$  X 2PCS



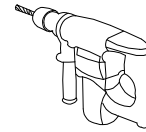
DRYWALL SCREW  $\phi 5 \times 40$  X 1PC



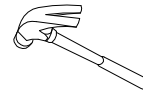
STRAP  $197 \times 5 \times 1$  X 1PC



FLATHEAD SCREW  $\phi 4 \times 25$  X 1PC



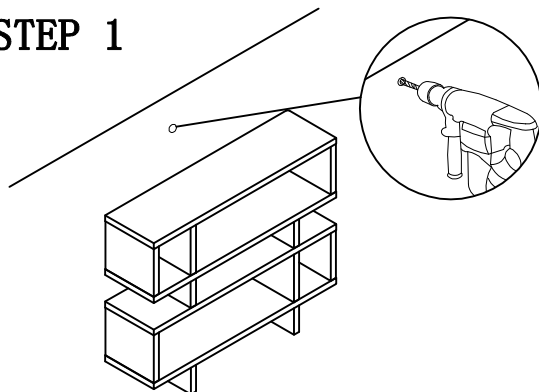
DRILL & DRILL BIT



LIGHT HAMMER

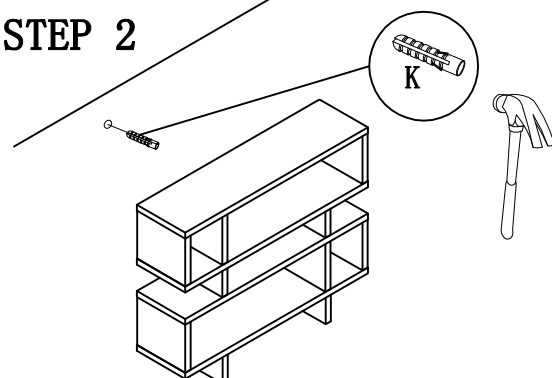
Note: Hardware included only compatible with standard drywalls.

### STEP 1



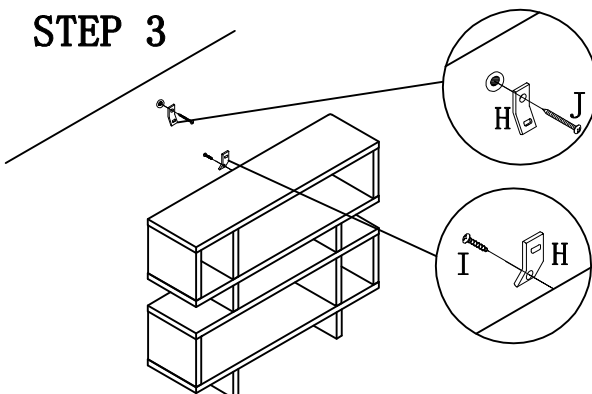
1. Find spot on wall 1" below top of item.
2. Using a drill bit slightly thinner than anchor, drill hole into drywall.

### STEP 2



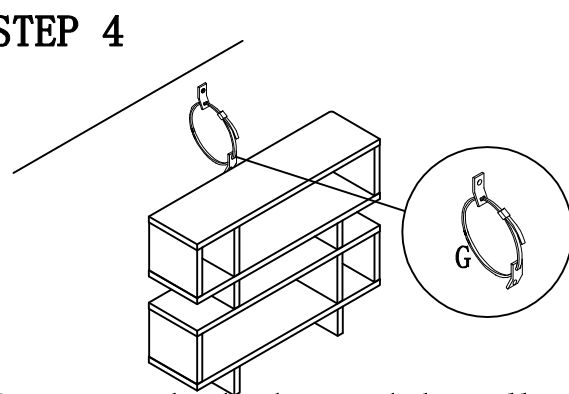
1. Use a light hammer to tap anchor into hole.
2. Anchor should fit snugly. If hole is too small, drill again to increase hole size. Do not force anchor into wall.

### STEP 3



1. Insert drywall screw into metal bracket and into drywall anchor.
2. Insert flathead screw into second metal bracket and into back of item along top edge.

### STEP 4



1. Insert strap thru bracket attached to wall, then thru bracket on item, and into head of strap.
  2. pull lightly til strap stops.
- Assembly is complete.