

# ASSEMBLY INSTRUCTION

---

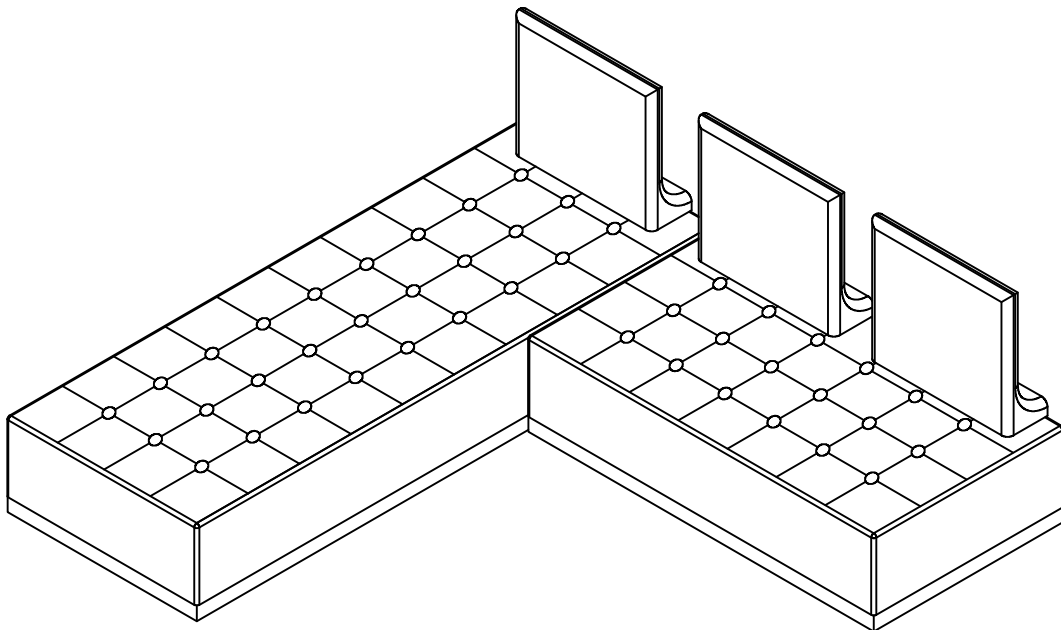
## PLEASE READ BEFORE ASSEMBLING!

Tip #1: Make sure you've taken all the pieces and hardware out of its packaging before discarding the box. Assembly on top of flattened box/blanket is recommended.

Tip #2: Using page 2 and/or page 3 of instruction manual make sure all pieces and hardware are accounted for.

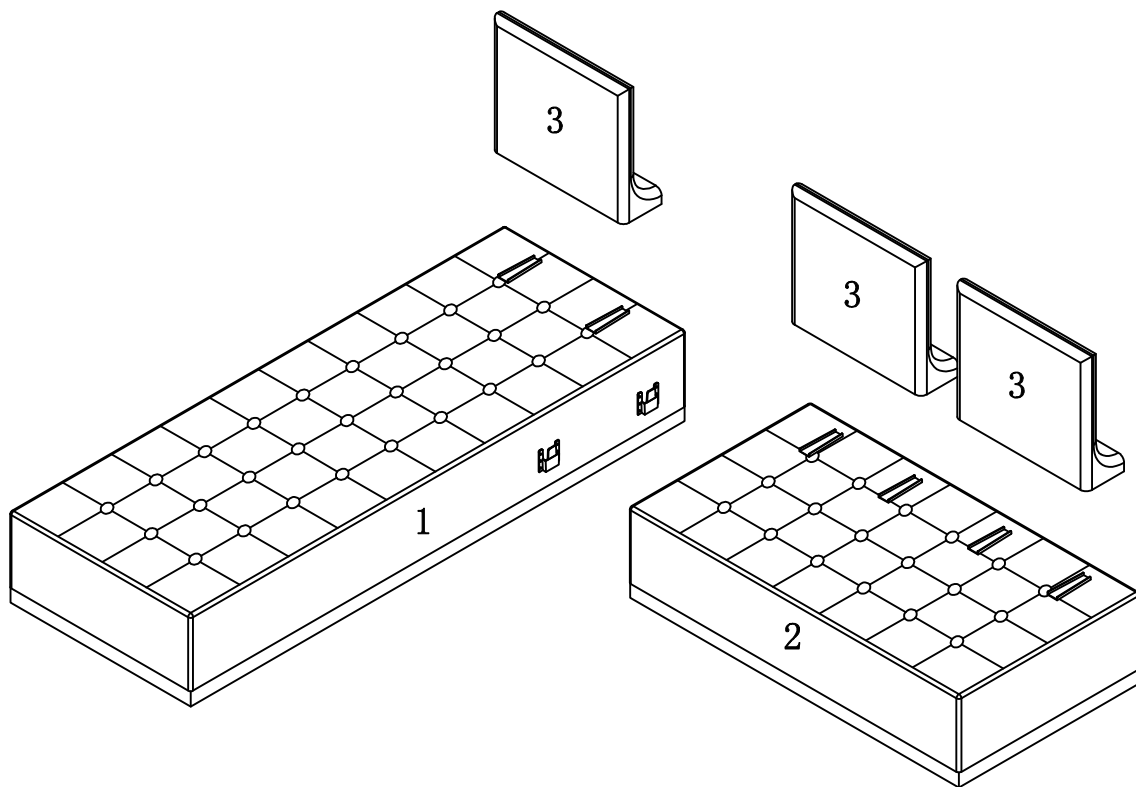
Tip #3: Note position of all holes on each panel during assembly.

ITEM#: 8095



# PARTS IDENTIFICATION

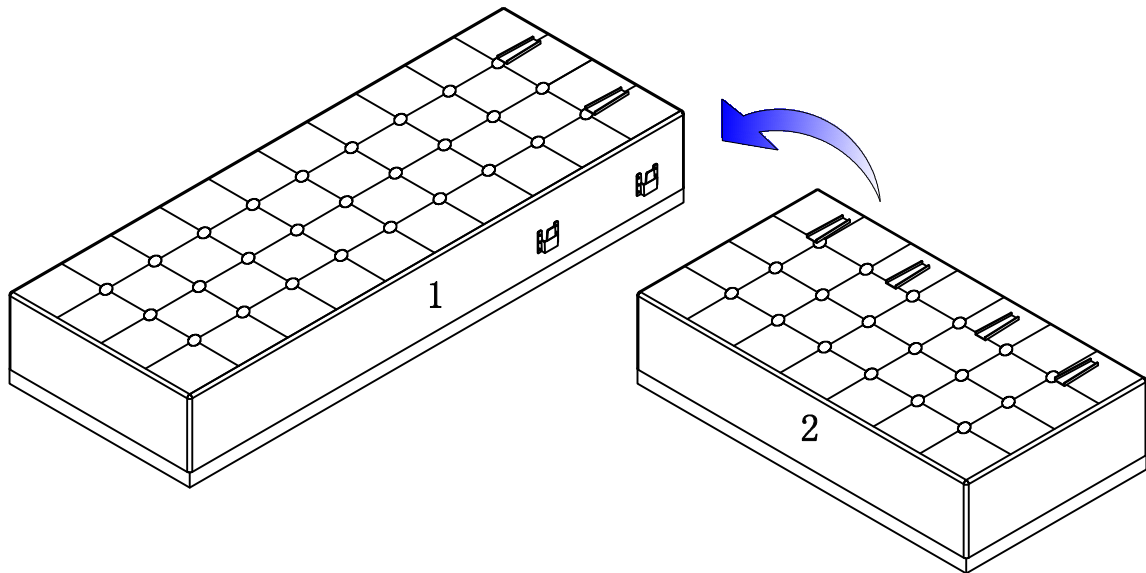
ITEM#: 8095



- (1) 1pc
- (2) 1pc
- (3) 3pcs

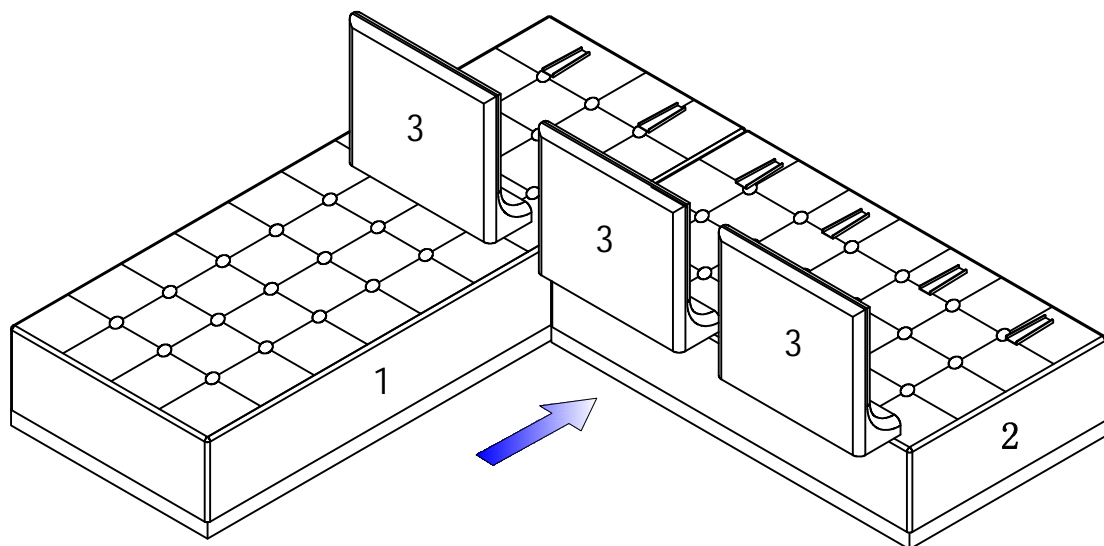
# ASSEMBLY INSTRUCTION

ITEM#: 8095



STEP1

STEP2

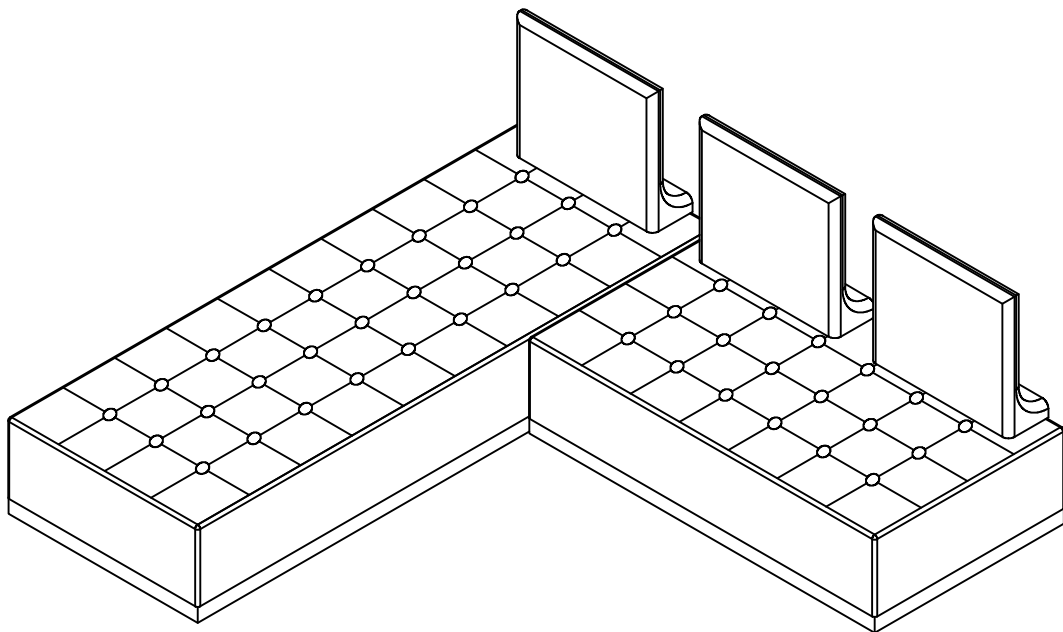


# ASSEMBLY INSTRUCTION

---

ITEM#: 8095

STEP3



**Assembly is complete.**

Treat surfaces with care. wipe clean with a dry or damp soft cloth. Do not use abrasive cleaners.