

ASSEMBLY INSTRUCTION

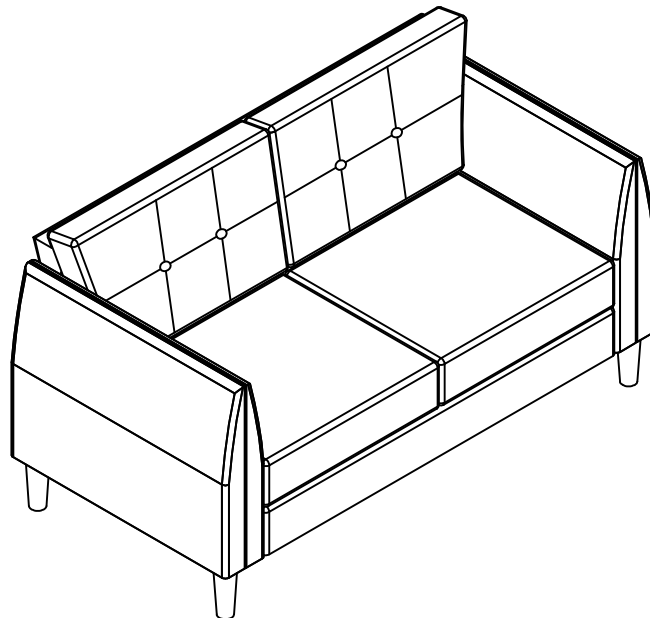
PLEASE READ BEFORE ASSEMBLING!

Tip #1: Make sure you've taken all the pieces and hardware out of its packaging before discarding the box. Assembly on top of flattened box/blanket is recommended.

Tip #2: Using page 2 and/or page 3 of instruction manual make sure all pieces and hardware are accounted for.

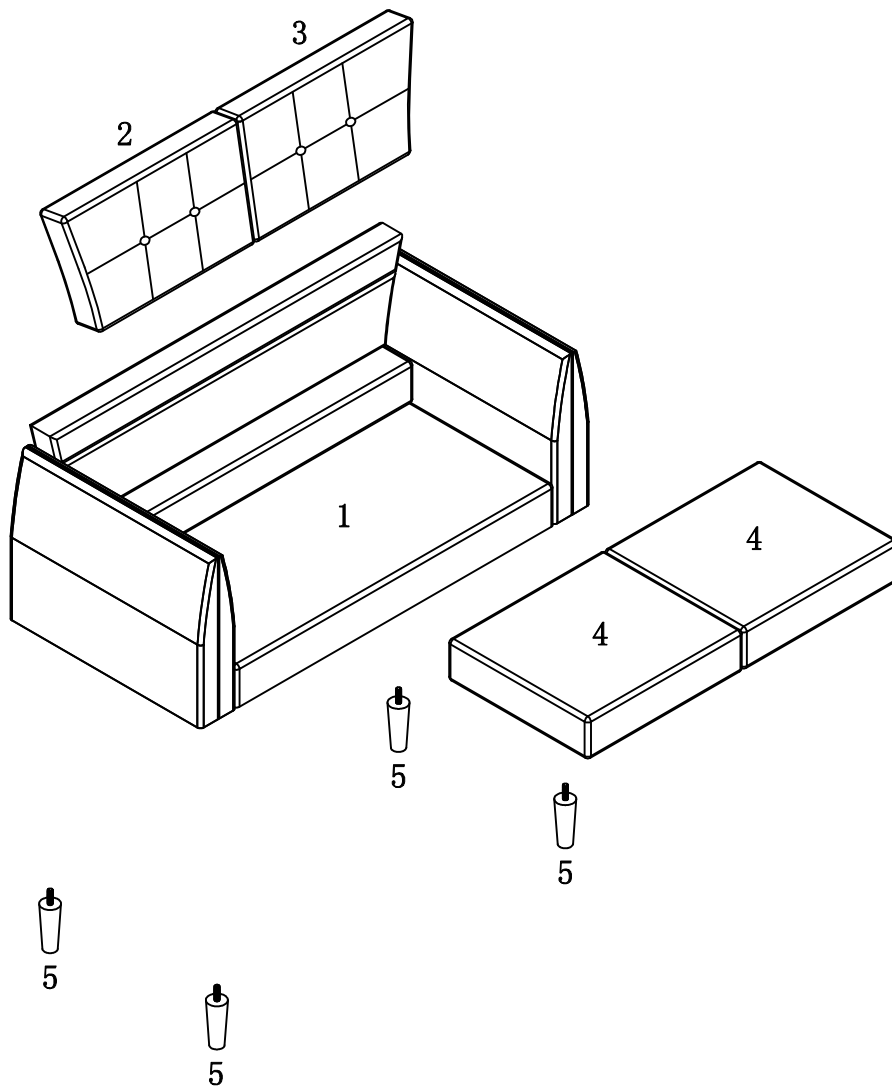
Tip #3: Note position of all holes on each panel during assembly.

ITEM#: 8096-2



PARTS IDENTIFICATION

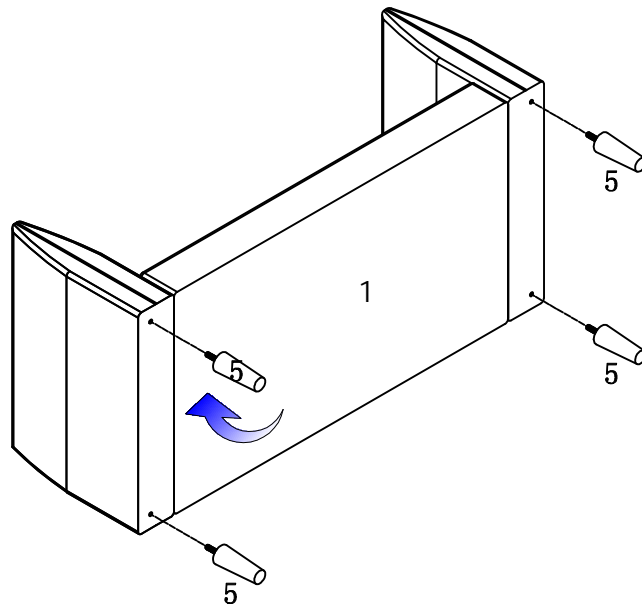
ITEM#: 8096-2



(1)	1pc	(4)	2pcs
(2)	1pc	(5)	4pcs
(3)	1pc		

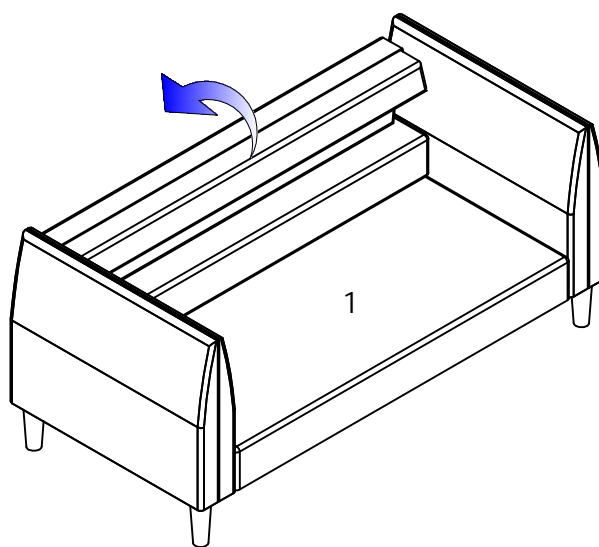
ASSEMBLY INSTRUCTION

ITEM#: 8096-2



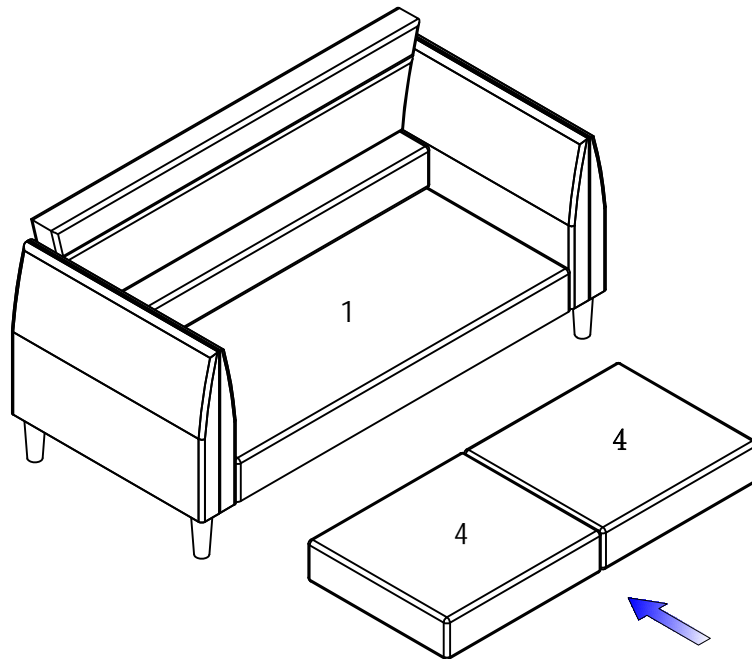
STEP1

STEP2



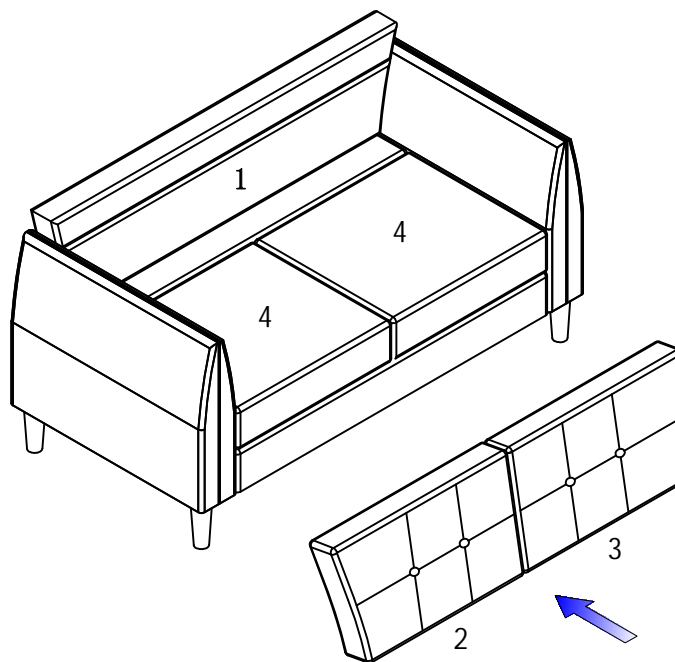
ASSEMBLY INSTRUCTION

ITEM#: 8096-2



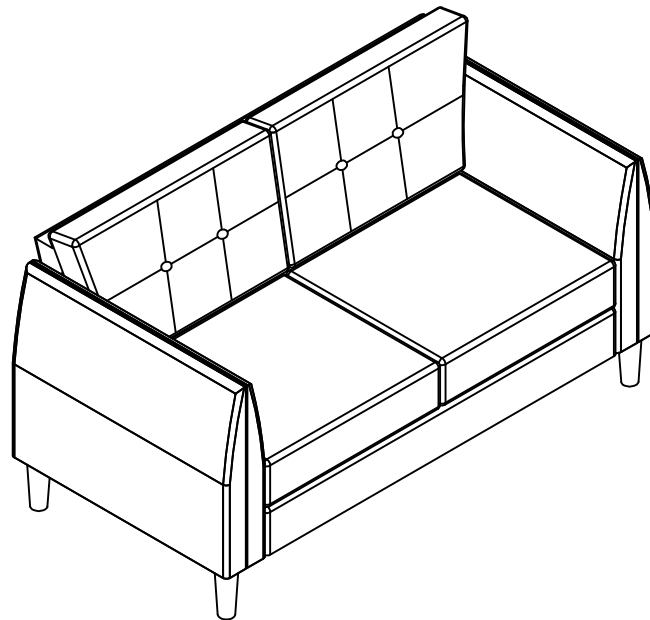
STEP3

STEP4



ASSEMBLY INSTRUCTION

ITEM#: 8096-2



Assembly is complete.

Treat surfaces with care. wipe clean with a dry or damp soft cloth. Do not use abrasive cleaners.