

ASSEMBLY INSTRUCTION

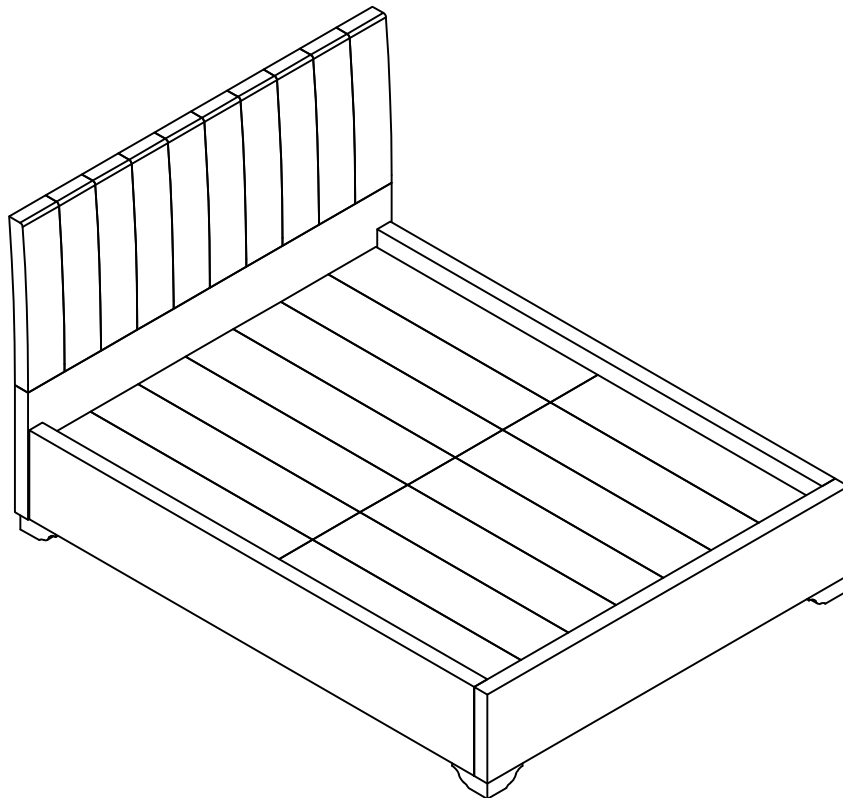
PLEASE READ BEFORE ASSEMBLING!

Tip #1: Make sure you've taken all the pieces and hardware out of its packaging before discarding the box. Assembly on top of flattened box/blanket is recommended.

Tip #2: Using page 2 and/or page 3 of instruction manual make sure all pieces and hardware are accounted for.

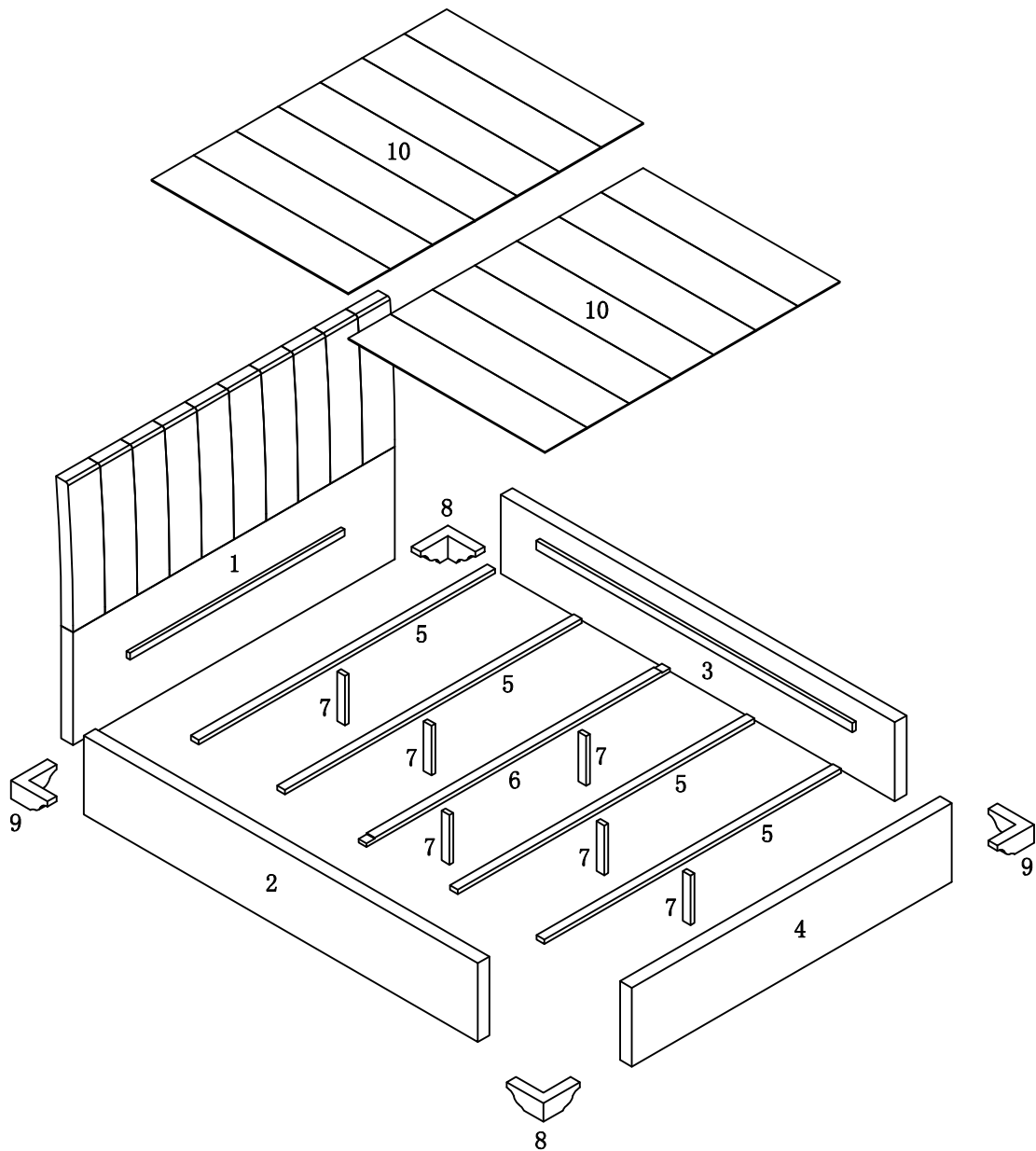
Tip #3: Note position of all holes on each panel during assembly.

ITEM#: 9002Q



PARTS IDENTIFICATION

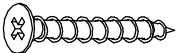


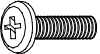


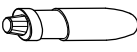
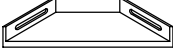
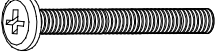


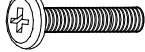
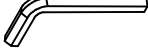
ITEM#: 9002Q



(1)	1pc	(6)	1pc
(2)	1pc	(7)	6pcs
(3)	1pc	(8)	2pcs
(4)	1pc	(9)	2pcs
(5)	4pcs	(10)	2pcs

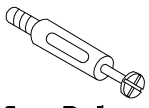
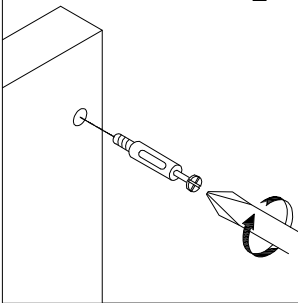
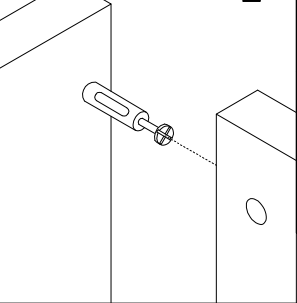
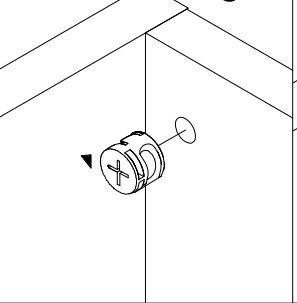
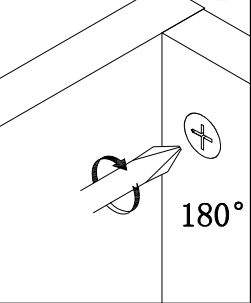

HARDWARE IDENTIFICATION

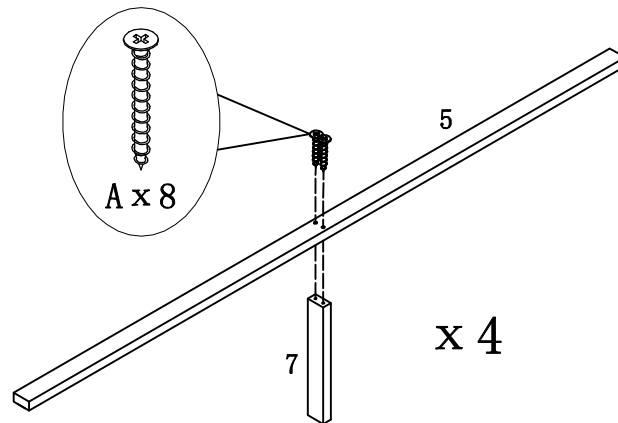
ITEM#: 9002Q

A		12pcs
B		8pcs
C		2pcs
D		8pcs
E		2pcs
F		8pcs
G		1pc
H		4pcs
I		6pcs
J		4pcs
K		4pcs
L		2pcs
M		1pc

ASSEMBLY INSTRUCTION

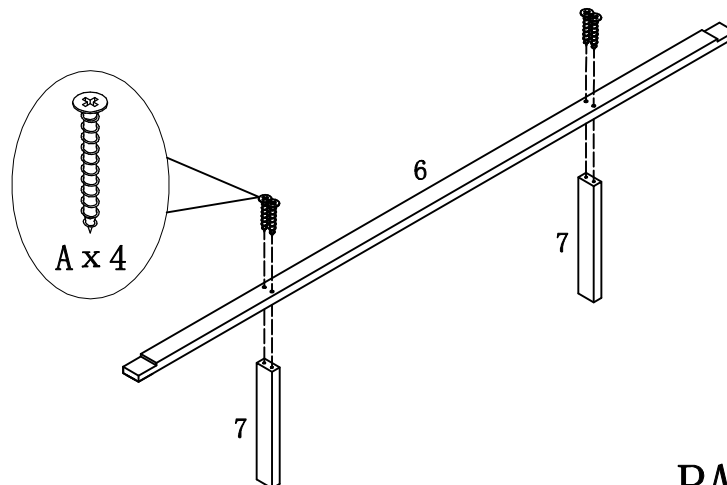
ITEM#: 9002Q

HOW TO	1	2	3	4
 Cam Bolt				
 Cam Lock	1. Screw Cam Bolt into panel.	2. Insert Cam Bolt into bolt hole of joining panel.	3. Insert Cam Lock. arrow facing bolt.	4. Gently turn Cam Lock clockwise to lock position.



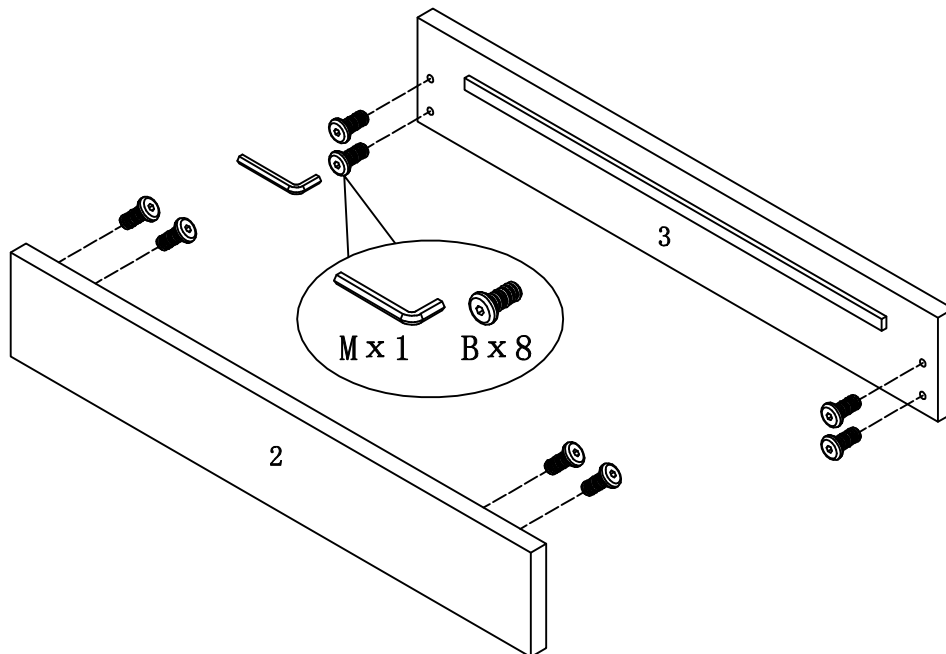
STEP1

STEP2



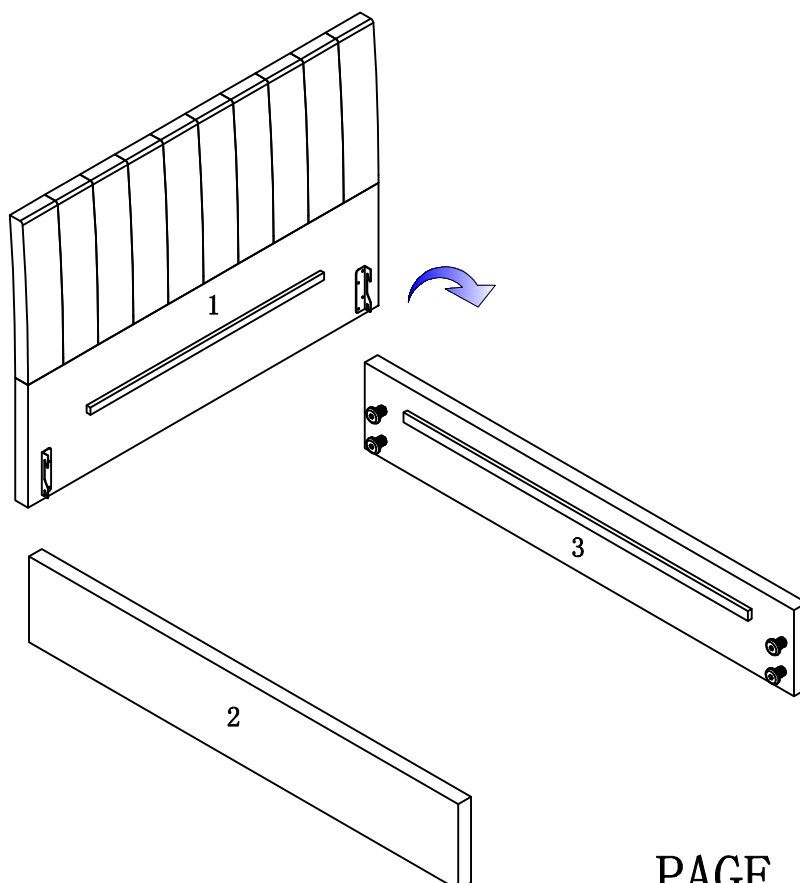
ASSEMBLY INSTRUCTION

ITEM#: 9002Q



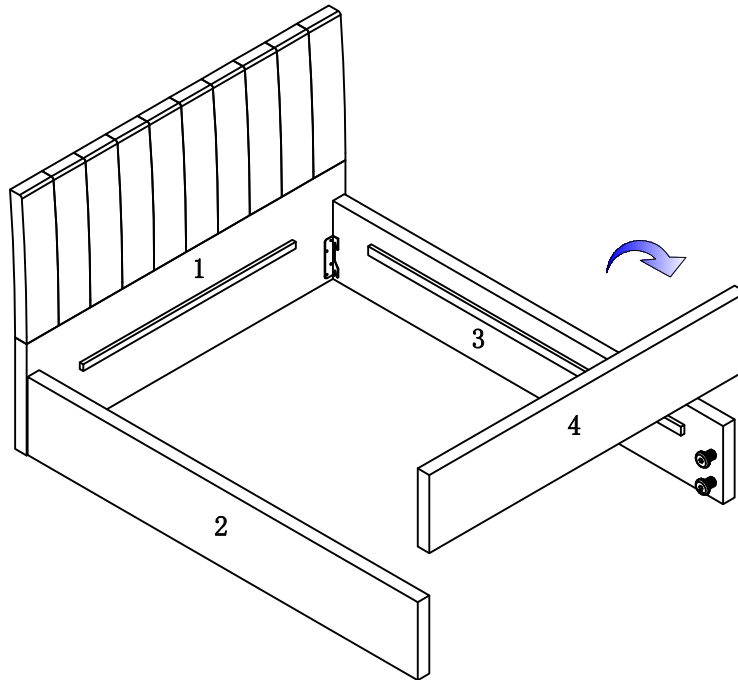
STEP 3

STEP 4



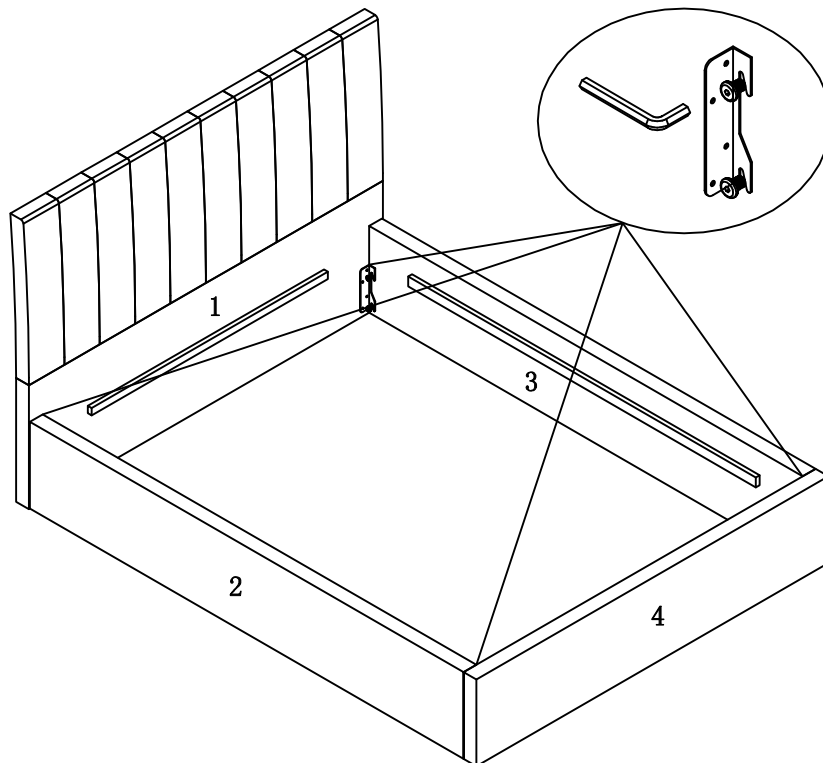
ASSEMBLY INSTRUCTION

ITEM#: 9002Q



STEP5

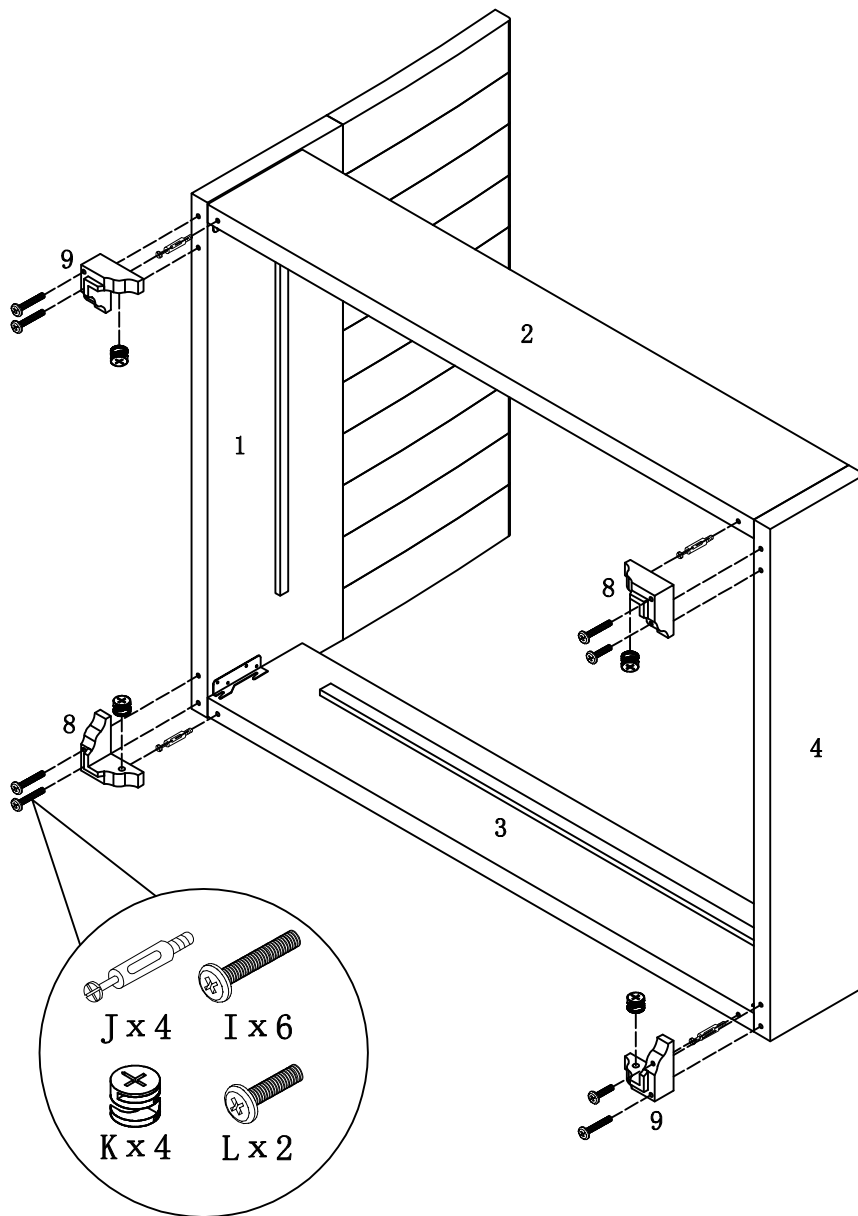
STEP6



ASSEMBLY INSTRUCTION

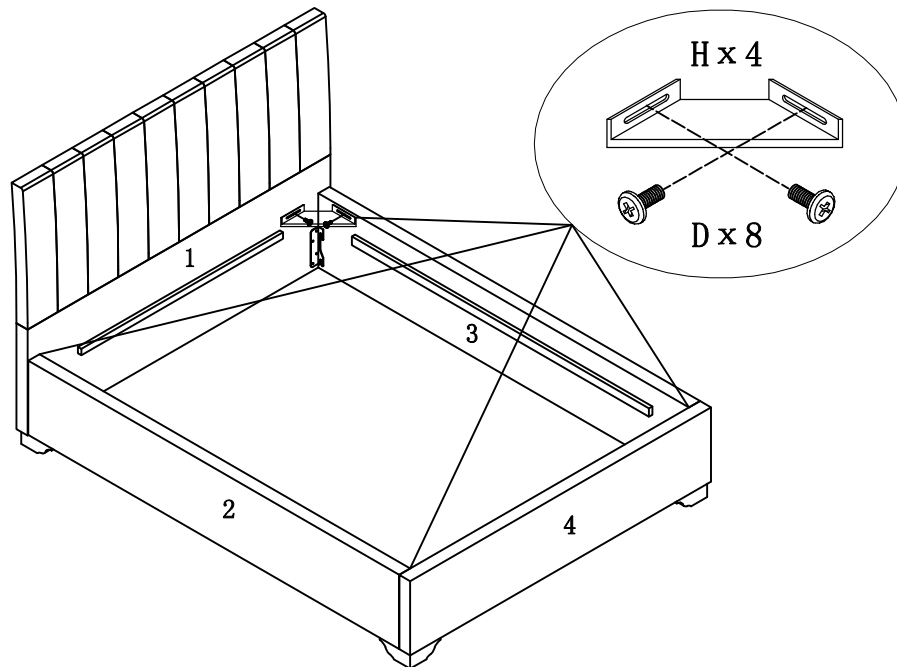
ITEM#: 9002Q

STEP 7



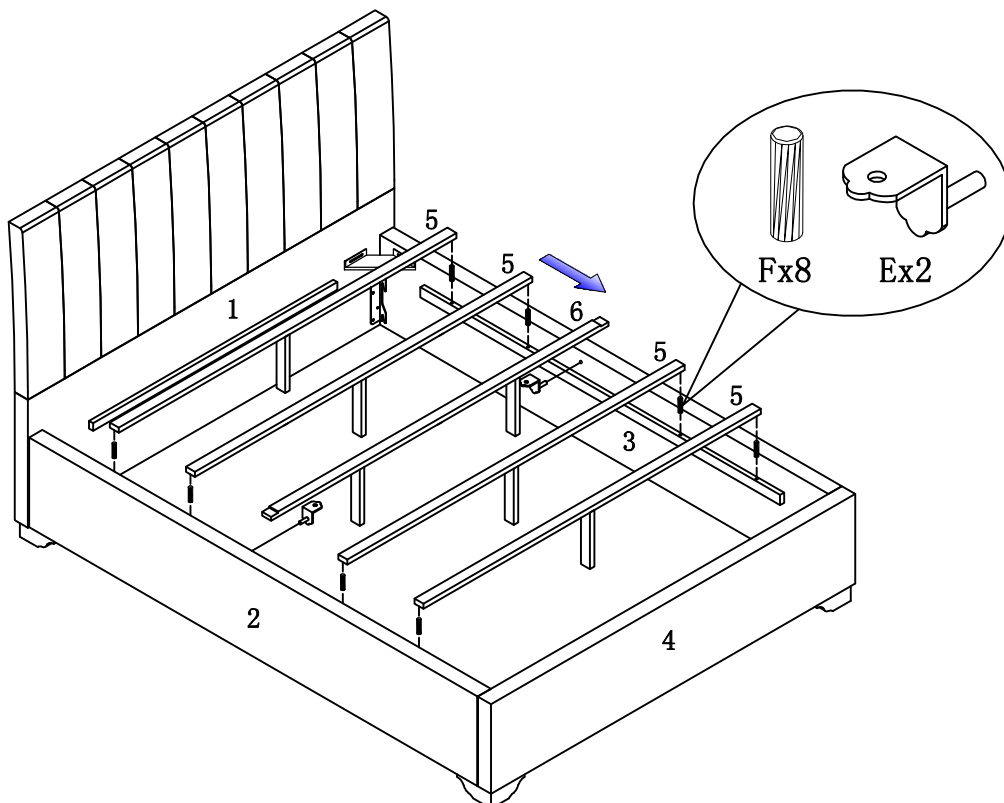
ASSEMBLY INSTRUCTION

ITEM#: 9002Q



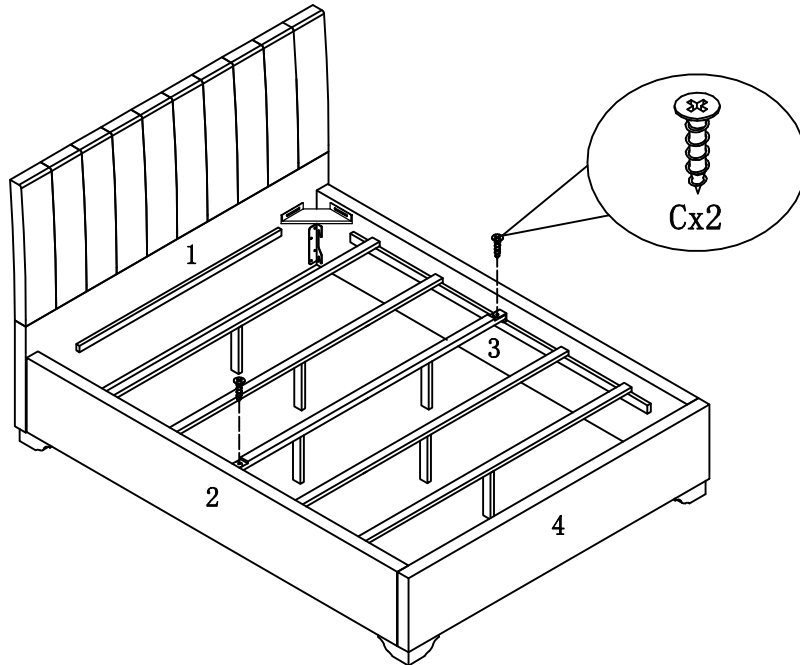
STEP8

STEP9



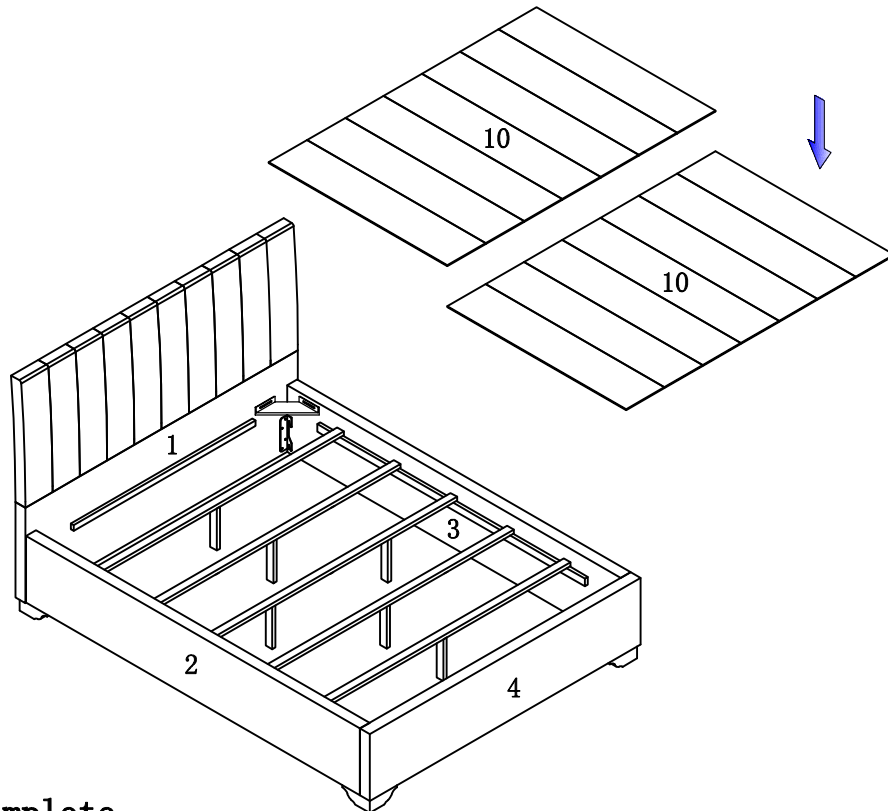
ASSEMBLY INSTRUCTION

ITEM#: 9002Q



STEP10

STEP11



Assembly is complete.

Treat surfaces with care. wipe clean with a dry or damp soft cloth. Do not use abrasive cleaners.

PAGE 9 OF 9