

# ASSEMBLY INSTRUCTION

---

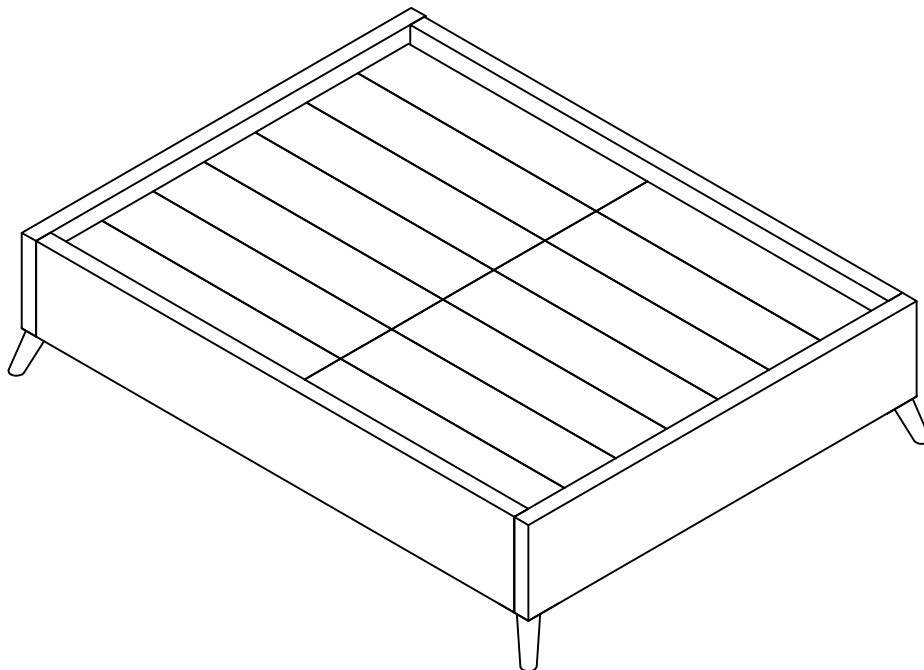
## **PLEASE READ BEFORE ASSEMBLING!**

Tip #1: Make sure you've taken all the pieces and hardware out of its packaging before discarding the box. Assembly on top of flattened box/blanket is recommended.

Tip #2: Using page 2 and/or page 3 of instruction manual make sure all pieces and hardware are accounted for.

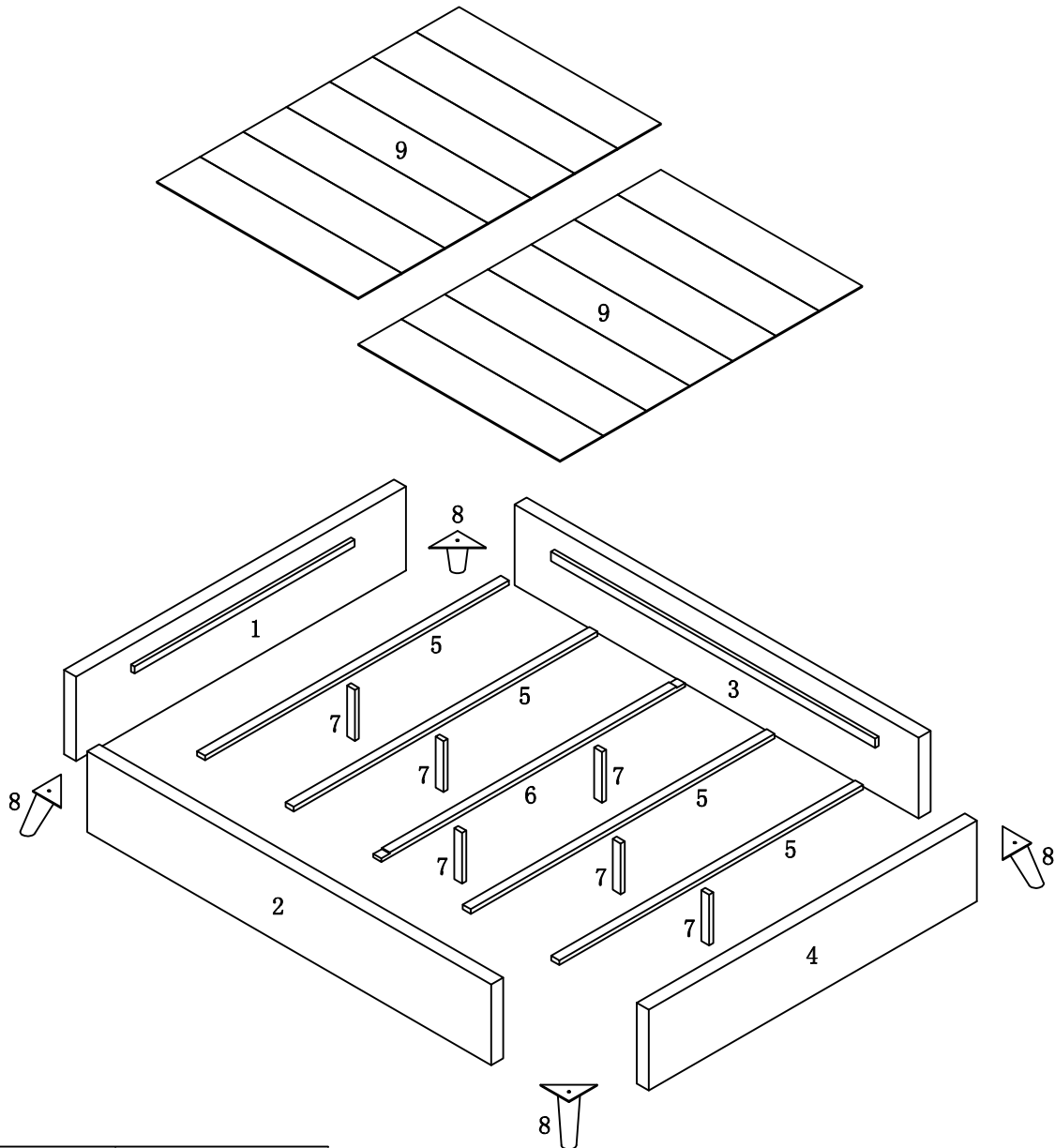
Tip #3: Note position of all holes on each panel during assembly.

ITEM#: 9004Q



# PARTS IDENTIFICATION

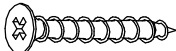




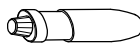



ITEM#: 9004Q



(1)	1pc	(7)	6pcs
(2)	1pc	(8)	4pcs
(3)	1pc	(9)	2pcs
(4)	1pc		
(5)	4pcs		
(6)	1pc		

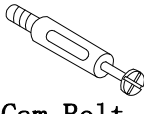

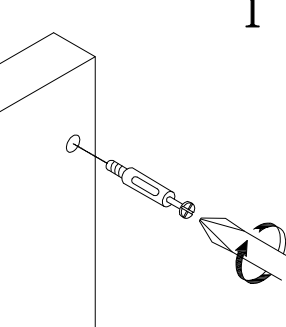
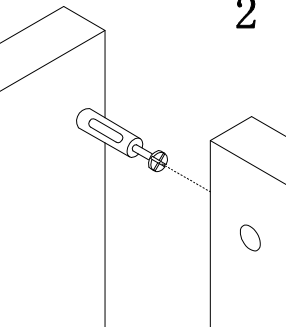
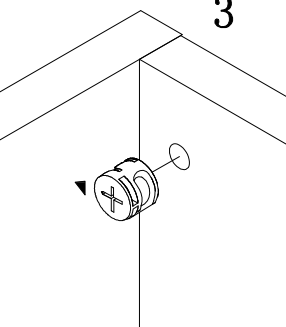
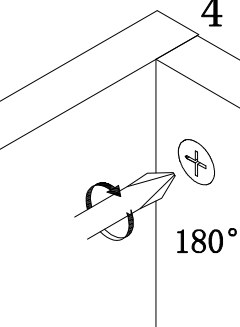
# HARDWARE IDENTIFICATION

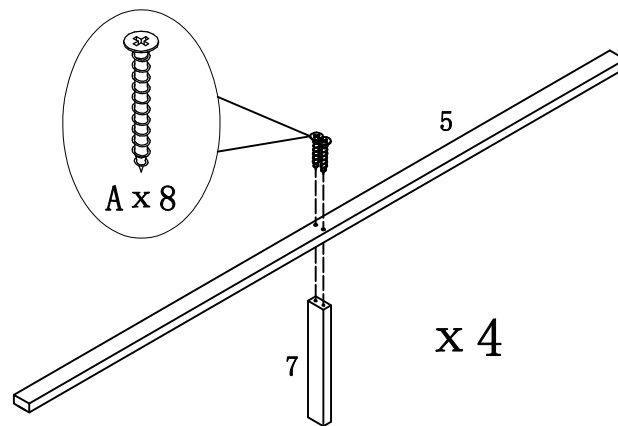
ITEM#: 9004Q

A		∅4x50	12pcs
B		M6x25	16pcs
C		∅4x20	6pcs
D			2pcs
E			8pcs
F			1pc
G			16pcs
H			16pcs
I		M4	1pc

# ASSEMBLY INSTRUCTION

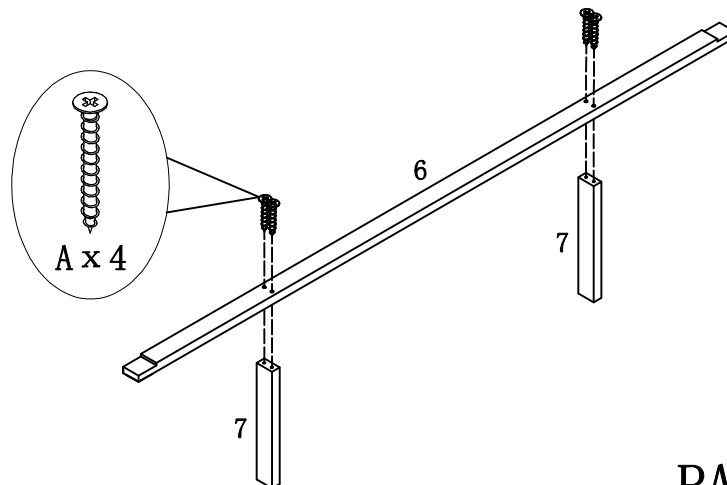
ITEM#: 9004Q

HOW TO	1	2	3	4
 Cam Bolt   Cam Lock	 1. Screw Cam Bolt into panel.	 2. Insert Cam Bolt into bolt hole of joining panel.	 3. Insert Cam Lock. arrow facing bolt.	 4. Gently turn Cam Lock clockwise to lock position.



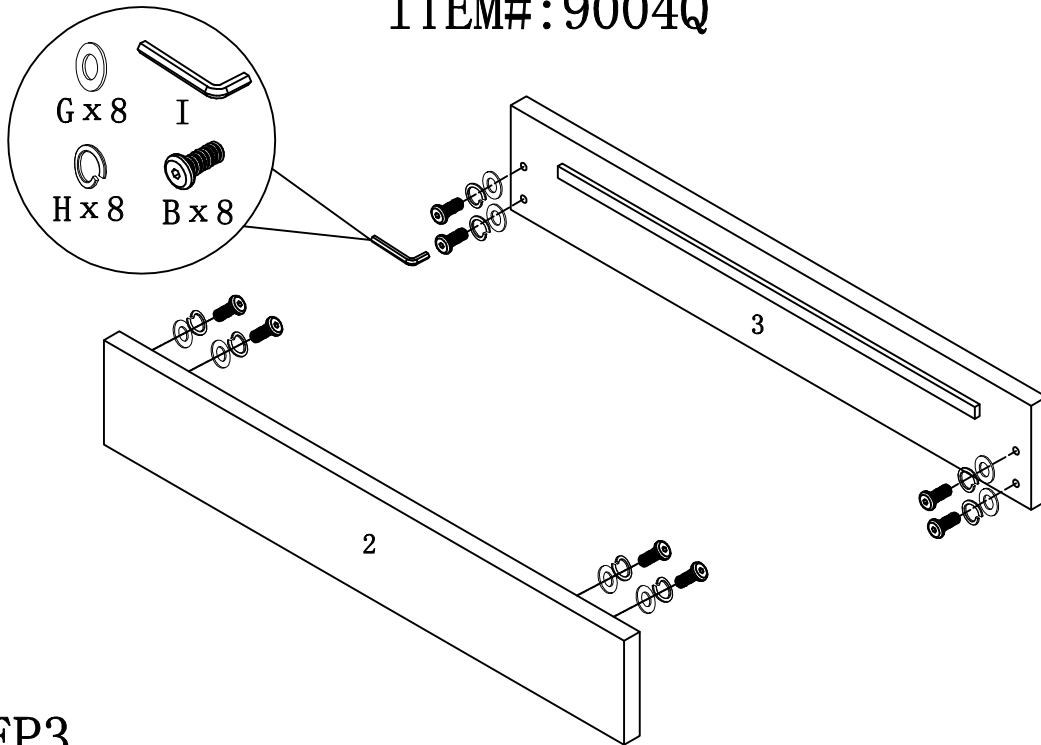
STEP1

STEP2



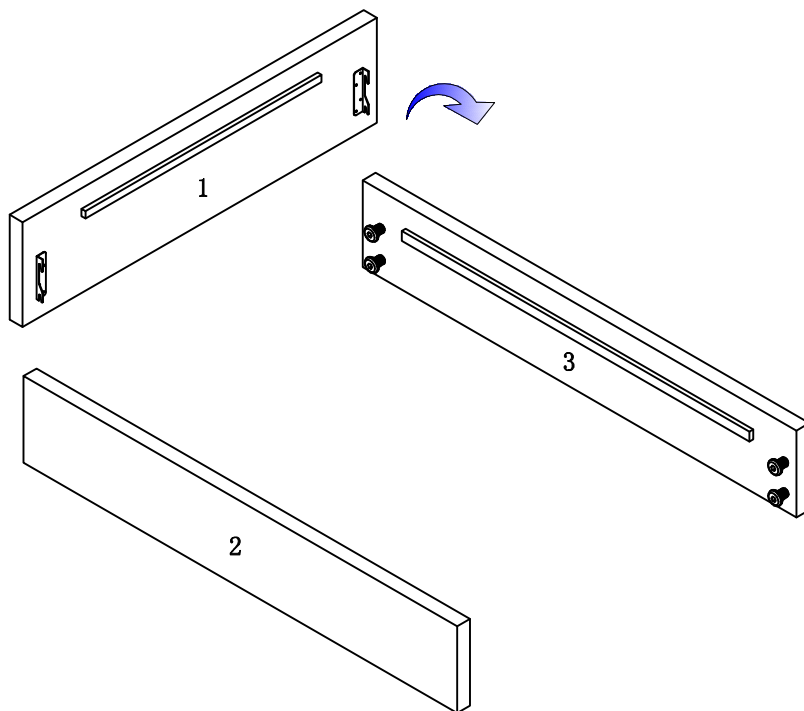
# ASSEMBLY INSTRUCTION

ITEM#: 9004Q



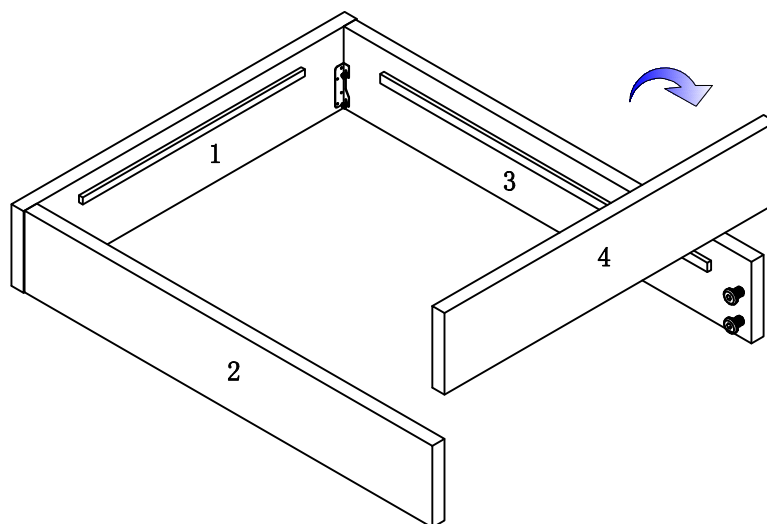
STEP3

STEP4



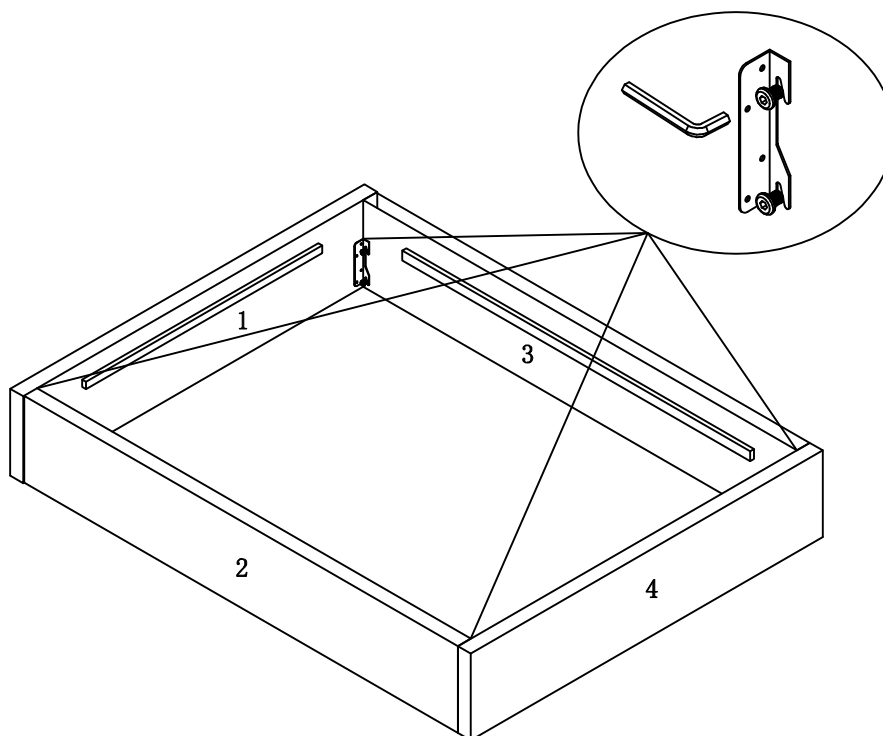
# ASSEMBLY INSTRUCTION

ITEM#: 9004Q



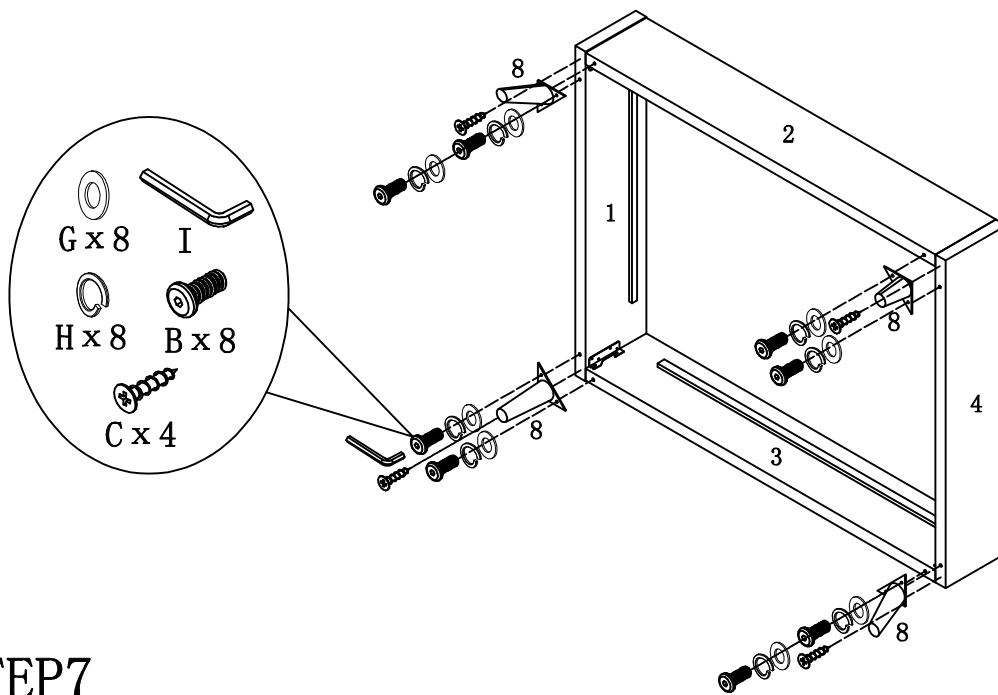
STEP5

STEP6



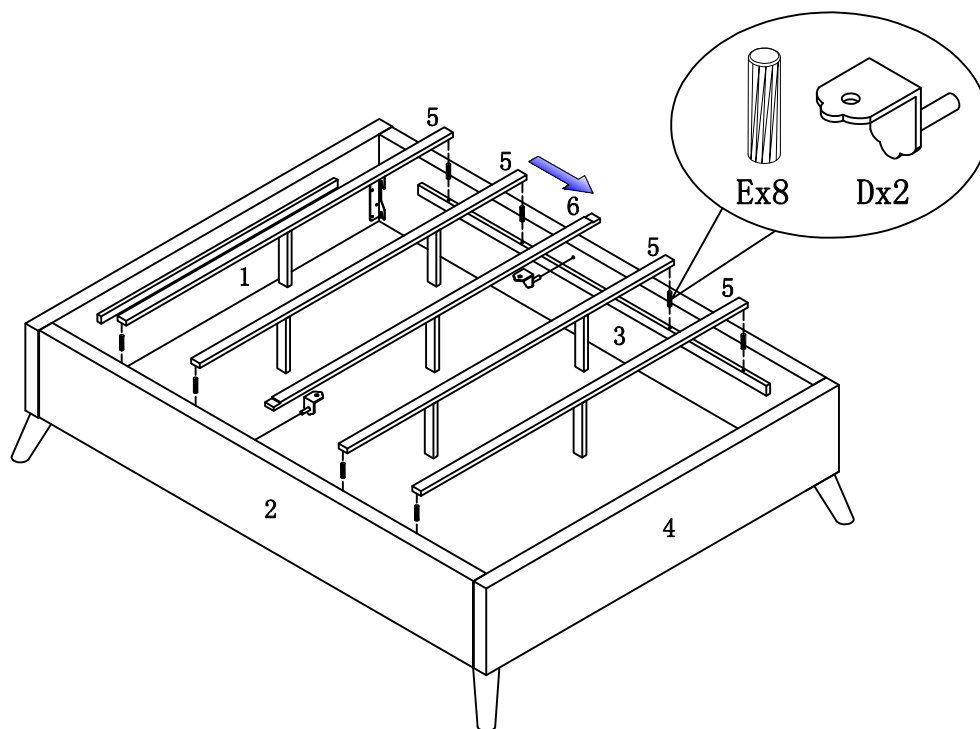
# ASSEMBLY INSTRUCTION

ITEM#: 9004Q



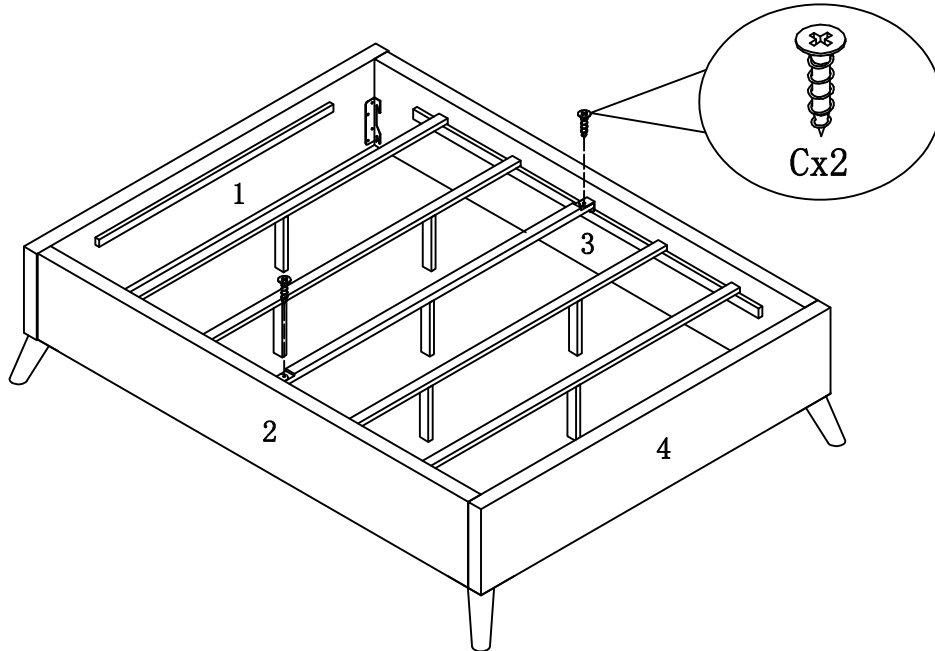
STEP 7

STEP 8



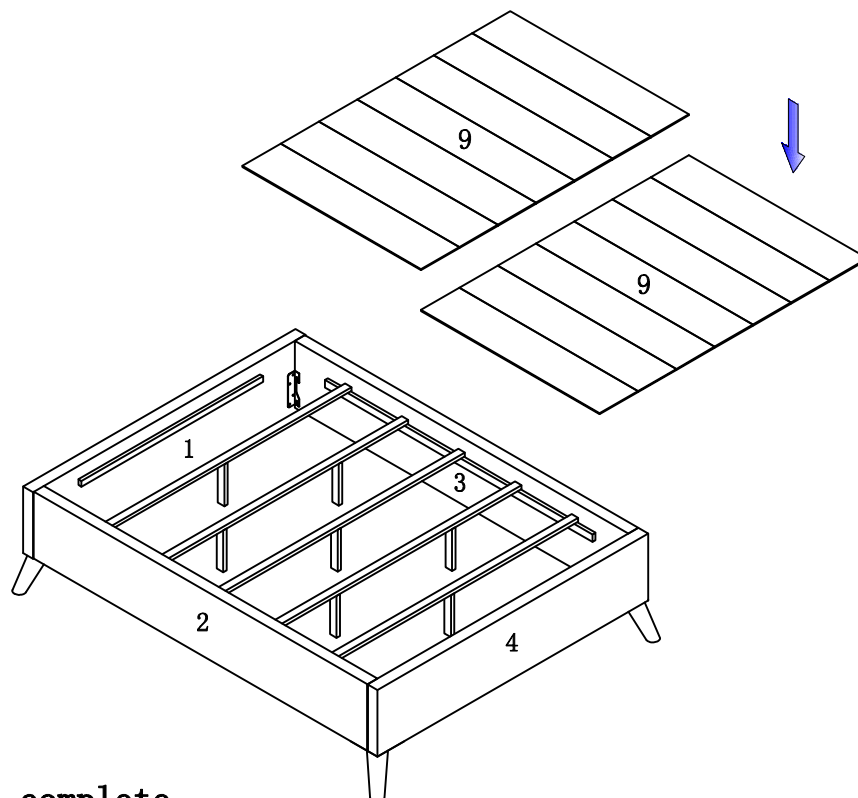
# ASSEMBLY INSTRUCTION

ITEM#: 9004Q



STEP9

STEP10



**Assembly is complete.**

Treat surfaces with care. wipe clean with a dry or damp soft cloth. Do not use abrasive cleaners.

PAGE 8 OF 8